



Jargeau LED gen3: combining historical design with modern lighting technology

Jargeau LED gen3 combines the iconic character of the first four-sided street lamps of the 19th century with the technical performance of 21st-century luminaires. Thanks to the energy-efficient LEDGINE-O engine, and wide range of high performance, application-tailored optics, Jargeau LED gen3 delivers the right amount light in the right direction on roads and streets, as well as offering excellent energy savings. Designed for installation at heights of four to six meters, this street lantern is well suited to urban landscapes and is ideal for illuminating city centers, historical areas, old villages, streets, alleys, squares and parks. Jargeau LED gen3 is also future ready with a choice of one or two Signify System Ready (SR) sockets that enable the luminaire to be paired with both standalone and advanced control and lighting software applications such as Interact from Signify. This urban lighting solution can also be equipped with our dedicated light recipe that preserves dark skies. In addition,

every Jargeau LED gen3 luminaire is uniquely identifiable, thanks to the Signify Service tag app. By simply scanning a QR code, placed inside the door of the mast or directly on the luminaire, you can instantly access the configuration of the luminaire. This makes maintenance and programming operations faster and easier, and enables you to create a digital library of lighting assets and spare parts.

Benefits

- Iconic luminaire for contemporary and historical environments
- Covers a wide range of applications for roads and streets with different geometries
- Future-proof thanks to SR socket compatible with all standard and advanced lighting controls
- Service tag for easy installation and maintenance

Applications

- Main urban roads and streets, side and residential roads and streets
- City centers and historical areas
- Cycle and pedestrian paths, squares, parks and playgrounds

Versions



BDP768 BDP651 without spigot RET

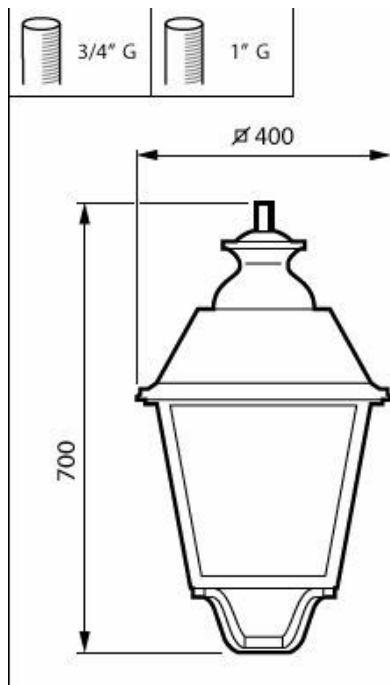


BSP768 & BSP651 40led

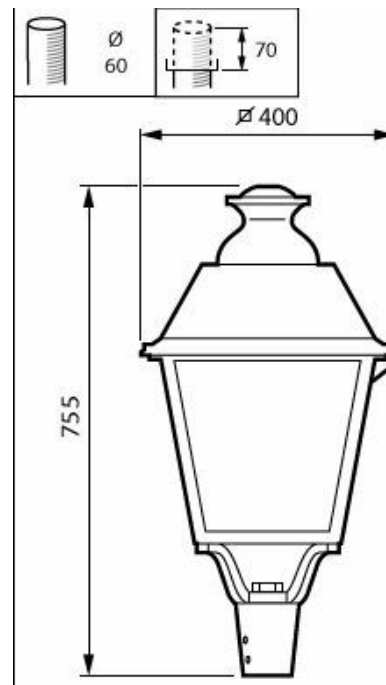


BDP651 40led

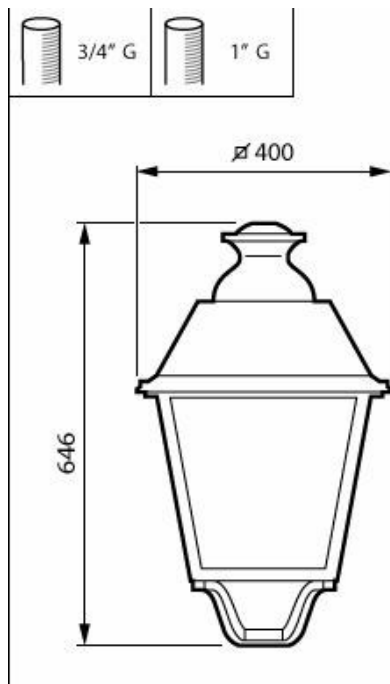
Dimensional drawing



Jargeau LED gen3 - LED module 5000 lm - 830 warm white - Safety class II - Distribution medium 50 - Polycarbonate bowl/cover clear - Black - Suspension set simple, standard



Jargeau LED gen3 - LED module 4000 lm - 830 warm white - Safety class II - Distribution symmetrical 50 - Glass frosted - Black



Jargeau LED gen3 - LED module 5000 lm - 830 warm white - Safety class II - Distribution medium 50 - Polycarbonate bowl/cover clear - Black - -

General Information

Light source replaceable	Yes
Number of gear units	1 unit
Driver included	Yes
Service tag	Yes

Light Technical

Correlated Color Temperature (Nom)	3000 K
Color rendering index (CRI)	80
Light source color	830 warm white

Operating and Electrical

Surge Protection (Common/Differential)	Surge protection level until 6 kV differential mode and 8 kV common mode
----------------------------------------	--------------------------------------------------------------------------

Mechanical and Housing

Housing Color	Black
Ingress protection code	IP66 [Dust penetration-protected, jet-proof]
Mech. impact protection code	IK09 [10 J]
Standard tilt angle posttop	-
Standard tilt angle side entry	-

Approval and Application

Flammability mark	-
CE mark	Yes

General Information

Order Code	Full Product Name	Lamp family code
912300024529	BDP651 LED50/830 II DM50 MK-BK PCC BALL	LED50
912300024426	BSP651 LW LED50/830 II DM50 MK-BK PCC BA	LED50
912300060160	BSP651 LED50/830 II DM50 MK-BK FG BALL 3	LED50
912300060161	BSP651 LED50/830 II DM50 MK-BK GF BALL 3	LED50
912300060162	BSP651 LED50/830 II DM50 MK-WH FG BALL 3	LED50
912300060163	BSP651 LED50/830 II DM50 MK-WH GF BALL 3	LED50
912300060275	BSP651 LED50/830 II DM50 MK-WH PCC BALL	LED50
912300024425	BDP651 LW LED50/830 II DM50 MK-BK PCC BA	LED50
912300060156	BDP651 LED50/830 II DM50 MK-BK FG BALL 6	LED50

Order Code	Full Product Name	Lamp family code
912300060157	BDP651 LED50/830 II DM50 MK-BK GF BALL 6	LED50
912300060158	BDP651 LED50/830 II DM50 MK-WH FG BALL 6	LED50
912300060159	BDP651 LED50/830 II DM50 MK-WH GF BALL 6	LED50
912300060274	BDP651 LED50/830 II DM50 MK-WH PCC BALL	LED50
912300060296	BDP651 LED40-4S/830 PSD-SR II DS50 FG BK	LED40
912300060297	BDP651 LED55-4S/830 PSD-SR II DS50 FG BK	LED55
912300060298	BDP651 LED40-4S/830 PSD-SR II DS50 GF BK	LED40
912300060299	BDP651 LED55-4S/830 PSD-SR II DS50 GF BK	LED55

Light Technical

Order Code	Full Product Name	Upward light output ratio	Luminous Flux	Luminaire light beam spread	Optic type outdoor
912300024529	BDP651 LED50/830 II DM50 MK-BK PCC BALL	0.01	3,250 lm	30° - 5° x 153°	Distribution medium 50
912300024426	BSP651 LW LED50/830 II DM50 MK-BK PCC BA	0.01	3,250 lm	30° - 5° x 153°	Distribution medium 50
912300060160	BSP651 LED50/830 II DM50 MK-BK FG BALL 3	0.01	3,450 lm	30° - 5° x 153°	Distribution medium 50
912300060161	BSP651 LED50/830 II DM50 MK-BK GF BALL 3	0.01	3,100 lm	30° - 5° x 153°	Distribution medium 50
912300060162	BSP651 LED50/830 II DM50 MK-WH FG BALL 3	0.01	3,700 lm	30° - 5° x 153°	Distribution medium 50
912300060163	BSP651 LED50/830 II DM50 MK-WH GF BALL 3	0.01	3,250 lm	30° - 5° x 153°	Distribution medium 50
912300060275	BSP651 LED50/830 II DM50 MK-WH PCC BALL	0.01	3,400 lm	30° - 5° x 153°	Distribution medium 50
912300024425	BDP651 LW LED50/830 II DM50 MK-BK PCC BA	0.01	3,250 lm	30° - 5° x 153°	Distribution medium 50
912300060156	BDP651 LED50/830 II DM50 MK-BK FG BALL 6	0.01	3,450 lm	30° - 5° x 153°	Distribution medium 50
912300060157	BDP651 LED50/830 II DM50 MK-BK GF BALL 6	0.01	3,100 lm	30° - 5° x 153°	Distribution medium 50
912300060158	BDP651 LED50/830 II DM50 MK-WH FG BALL 6	0.01	3,700 lm	30° - 5° x 153°	Distribution medium 50
912300060159	BDP651 LED50/830 II DM50 MK-WH GF BALL 6	0.01	3,250 lm	30° - 5° x 153°	Distribution medium 50
912300060274	BDP651 LED50/830 II DM50 MK-WH PCC BALL	0.01	3,400 lm	30° - 5° x 153°	Distribution medium 50
912300060296	BDP651 LED40-4S/830 PSD-SR II DS50 FG BK	0	2,760 lm	152° x 155°	Distribution symmetrical 50
912300060297	BDP651 LED55-4S/830 PSD-SR II DS50 FG BK	0	3,808 lm	152° x 155°	Distribution symmetrical 50
912300060298	BDP651 LED40-4S/830 PSD-SR II DS50 GF BK	0	2,400 lm	152° x 155°	Distribution symmetrical 50
912300060299	BDP651 LED55-4S/830 PSD-SR II DS50 GF BK	0	3,360 lm	152° x 155°	Distribution symmetrical 50

Operating and Electrical

Order Code	Full Product Name	Power Consumption
912300024529	BDP651 LED50/830 II DM50 MK-BK PCC BALL	38 W
912300024426	BSP651 LW LED50/830 II DM50 MK-BK PCC BA	38 W
912300060160	BSP651 LED50/830 II DM50 MK-BK FG BALL 3	38 W
912300060161	BSP651 LED50/830 II DM50 MK-BK GF BALL 3	38 W
912300060162	BSP651 LED50/830 II DM50 MK-WH FG BALL 3	38 W
912300060163	BSP651 LED50/830 II DM50 MK-WH GF BALL 3	38 W
912300060275	BSP651 LED50/830 II DM50 MK-WH PCC BALL	38 W
912300024425	BDP651 LW LED50/830 II DM50 MK-BK PCC BA	38 W
912300060156	BDP651 LED50/830 II DM50 MK-BK FG BALL 6	38 W
912300060157	BDP651 LED50/830 II DM50 MK-BK GF BALL 6	38 W
912300060158	BDP651 LED50/830 II DM50 MK-WH FG BALL 6	38 W
912300060159	BDP651 LED50/830 II DM50 MK-WH GF BALL 6	38 W
912300060274	BDP651 LED50/830 II DM50 MK-WH PCC BALL	38 W
912300060296	BDP651 LED40-4S/830 PSD-SR II DS50 FG BK	30.5 W
912300060297	BDP651 LED55-4S/830 PSD-SR II DS50 FG BK	42 W
912300060298	BDP651 LED40-4S/830 PSD-SR II DS50 GF BK	30.5 W
912300060299	BDP651 LED55-4S/830 PSD-SR II DS50 GF BK	42 W

Controls and Dimming

Order Code	Full Product Name	Dimmable
912300024529	BDP651 LED50/830 II DM50 MK-BK PCC BALL	No
912300024426	BSP651 LW LED50/830 II DM50 MK-BK PCC BA	No
912300060160	BSP651 LED50/830 II DM50 MK-BK FG BALL 3	No
912300060161	BSP651 LED50/830 II DM50 MK-BK GF BALL 3	No
912300060162	BSP651 LED50/830 II DM50 MK-WH FG BALL 3	No
912300060163	BSP651 LED50/830 II DM50 MK-WH GF BALL 3	No
912300060275	BSP651 LED50/830 II DM50 MK-WH PCC BALL	No
912300024425	BDP651 LW LED50/830 II DM50 MK-BK PCC BA	No
912300060156	BDP651 LED50/830 II DM50 MK-BK FG BALL 6	No
912300060157	BDP651 LED50/830 II DM50 MK-BK GF BALL 6	No
912300060158	BDP651 LED50/830 II DM50 MK-WH FG BALL 6	No
912300060159	BDP651 LED50/830 II DM50 MK-WH GF BALL 6	No
912300060274	BDP651 LED50/830 II DM50 MK-WH PCC BALL	No
912300060296	BDP651 LED40-4S/830 PSD-SR II DS50 FG BK	Yes
912300060297	BDP651 LED55-4S/830 PSD-SR II DS50 FG BK	Yes
912300060298	BDP651 LED40-4S/830 PSD-SR II DS50 GF BK	Yes
912300060299	BDP651 LED55-4S/830 PSD-SR II DS50 GF BK	Yes

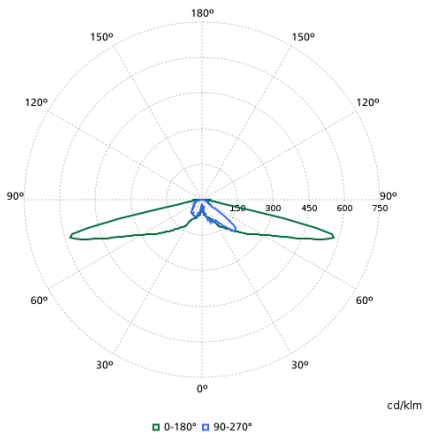
Mechanical and Housing

Order Code	Full Product Name	Optical cover type
912300024529	BDP651 LED50/830 II DM50 MK-BK PCC BALL	Polycarbonate bowl/cover clear
912300024426	BSP651 LW LED50/830 II DM50 MK-BK PCC BA	Polycarbonate bowl/cover clear
912300060160	BSP651 LED50/830 II DM50 MK-BK FG BALL 3	Flat glass
912300060161	BSP651 LED50/830 II DM50 MK-BK GF BALL 3	Glass frosted
912300060162	BSP651 LED50/830 II DM50 MK-WH FG BALL 3	Flat glass
912300060163	BSP651 LED50/830 II DM50 MK-WH GF BALL 3	Glass frosted
912300060275	BSP651 LED50/830 II DM50 MK-WH PCC BALL	Polycarbonate bowl/cover clear
912300024425	BDP651 LW LED50/830 II DM50 MK-BK PCC BA	Polycarbonate bowl/cover clear
912300060156	BDP651 LED50/830 II DM50 MK-BK FG BALL 6	Flat glass
912300060157	BDP651 LED50/830 II DM50 MK-BK GF BALL 6	Glass frosted
912300060158	BDP651 LED50/830 II DM50 MK-WH FG BALL 6	Flat glass
912300060159	BDP651 LED50/830 II DM50 MK-WH GF BALL 6	Glass frosted
912300060274	BDP651 LED50/830 II DM50 MK-WH PCC BALL	Polycarbonate bowl/cover clear
912300060296	BDP651 LED40-4S/830 PSD-SR II DS50 FG BK	Flat glass
912300060297	BDP651 LED55-4S/830 PSD-SR II DS50 FG BK	Flat glass
912300060298	BDP651 LED40-4S/830 PSD-SR II DS50 GF BK	Glass frosted
912300060299	BDP651 LED55-4S/830 PSD-SR II DS50 GF BK	Glass frosted

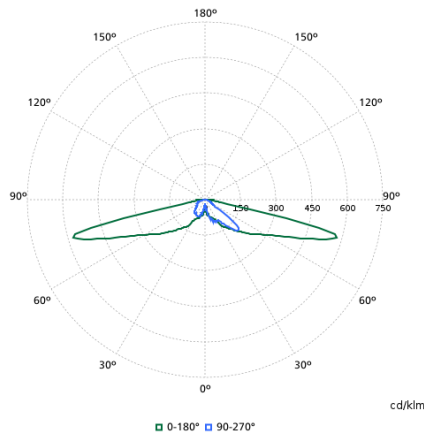
Product Data

Order Code	Full Product Name	Product family code
912300024529	BDP651 LED50/830 II DM50 MK-BK PCC BALL	BDP651
912300024426	BSP651 LW LED50/830 II DM50 MK-BK PCC BA	BSP651
912300060160	BSP651 LED50/830 II DM50 MK-BK FG BALL 3	BSP651
912300060161	BSP651 LED50/830 II DM50 MK-BK GF BALL 3	BSP651
912300060162	BSP651 LED50/830 II DM50 MK-WH FG BALL 3	BSP651
912300060163	BSP651 LED50/830 II DM50 MK-WH GF BALL 3	BSP651
912300060275	BSP651 LED50/830 II DM50 MK-WH PCC BALL	BSP651
912300024425	BDP651 LW LED50/830 II DM50 MK-BK PCC BA	BDP651
912300060156	BDP651 LED50/830 II DM50 MK-BK FG BALL 6	BDP651
912300060157	BDP651 LED50/830 II DM50 MK-BK GF BALL 6	BDP651
912300060158	BDP651 LED50/830 II DM50 MK-WH FG BALL 6	BDP651
912300060159	BDP651 LED50/830 II DM50 MK-WH GF BALL 6	BDP651
912300060274	BDP651 LED50/830 II DM50 MK-WH PCC BALL	BDP651
912300060296	BDP651 LED40-4S/830 PSD-SR II DS50 FG BK	BDP651
912300060297	BDP651 LED55-4S/830 PSD-SR II DS50 FG BK	BDP651
912300060298	BDP651 LED40-4S/830 PSD-SR II DS50 GF BK	BDP651
912300060299	BDP651 LED55-4S/830 PSD-SR II DS50 GF BK	BDP651

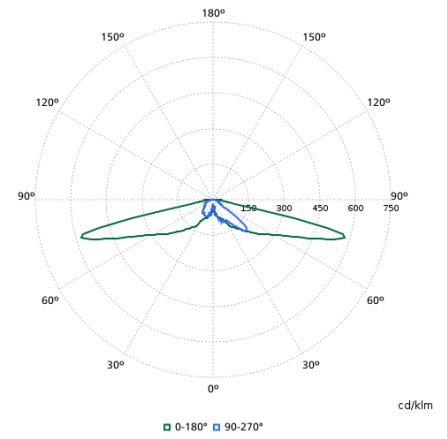
Polar normal diagrams



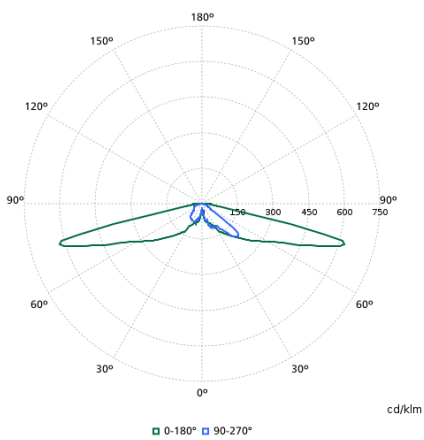
BDP768I - 912300024425



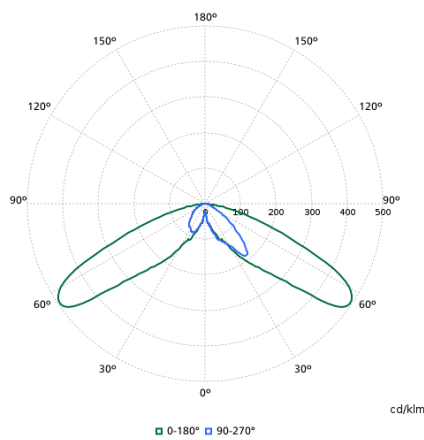
BDP768I - 912300024426



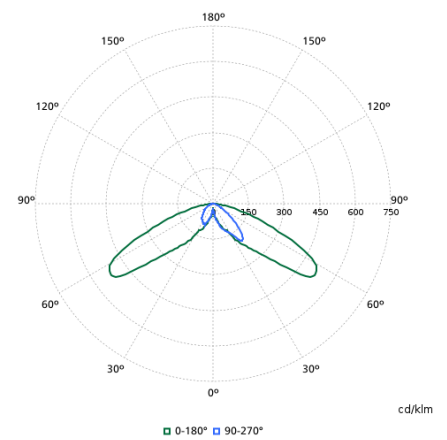
BDP768I - 912300024529



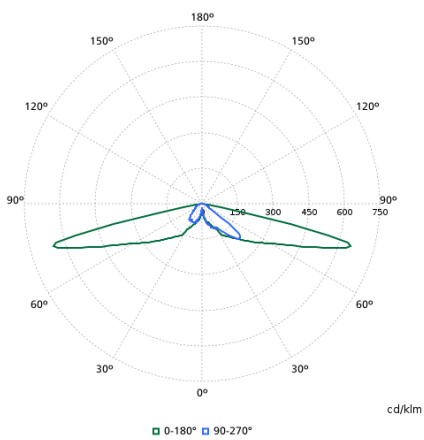
BDP768I - 912300060274



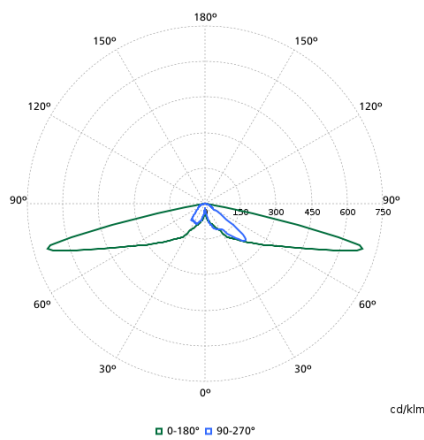
BDP768I - 912300060157



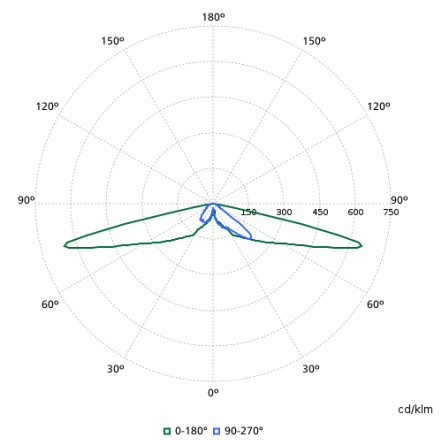
BDP768I - 912300060159



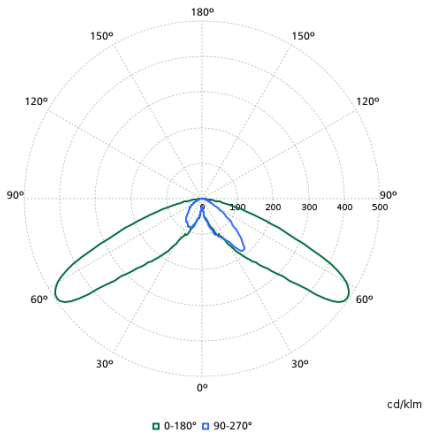
BDP768I - 912300060156



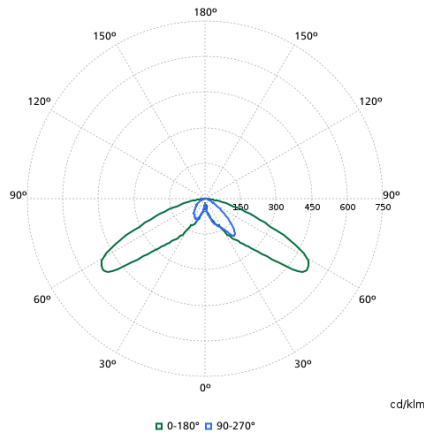
BDP768I - 912300060158



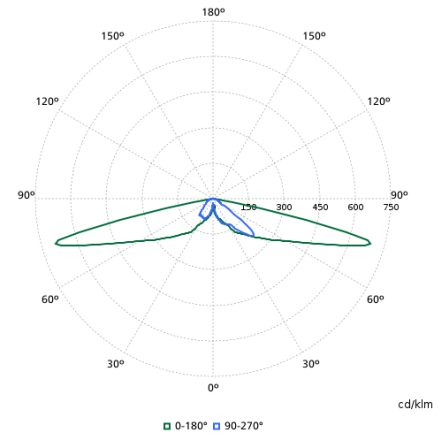
BDP768I - 912300060160



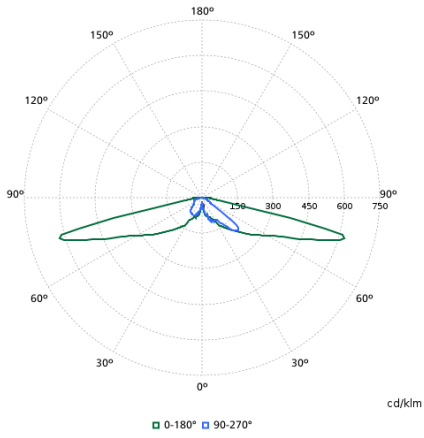
BDP768I - 912300060161



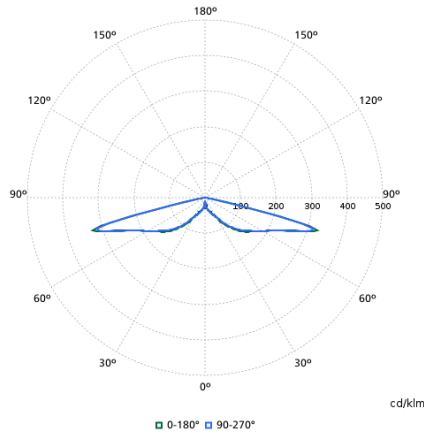
BDP768I - 912300060163



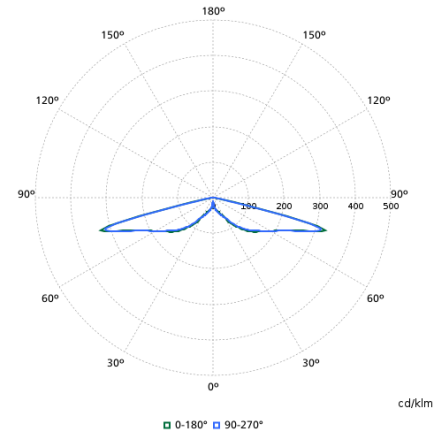
BDP768I - 912300060162



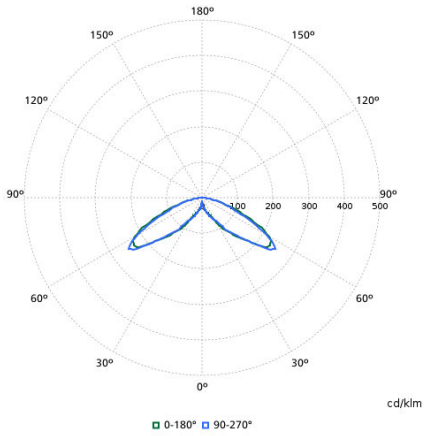
BDP768I - 912300060275



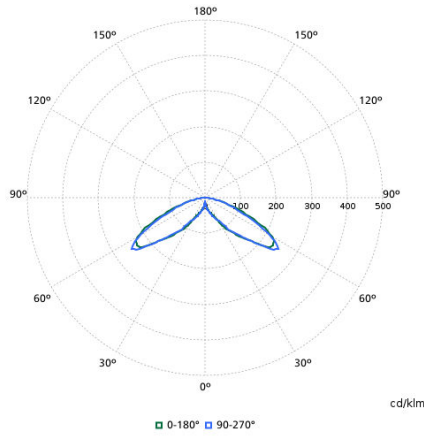
BDP768I - 912300060296



BDP768I - 912300060297



BDP768I - 912300060298



BDP768I - 912300060299