



CityClassic gen2 – Classic design, in balance with today's requirements

A balanced, classic design, combined with the latest highly-efficient and future-ready connectivity technology, make CityClassic gen2 a decorative asset for any urban lighting application. Thanks to LED technology, today's luminaires reach very high energy and optical efficacy; CityClassic gen2 also offers the ultimate in design flexibility and functionality. The LEDGINE-O platform comes as standard with fluxes ranging from 600 up to 6500 lm, a choice of more than 30 optics and distributions, and different CCTs and CRIs. The result is fantastic performance and visual comfort, with the promise of future-ready connectivity options. You can also opt for the unique ClearGuide LED platform – a modern and decorative interpretation of the cylinder lantern with a horizontal lamp in a louver stack, that has become so popular. Dedicated Dark Sky versions with low ULR (<1%) requirements are also available. The CityClassic gen2 family is designed to be completely modular. There are two sizes,

large and small, each with a matching size large canopy, or Torch versions with no canopy. It's also possible to mix and match different masts and brackets to suit the specific needs of your application. Installation is simple thanks to an IP-rated plug socket connector in the spigot. To make servicing and maintenance easy, or for future connectivity upgrades, the gear cover can be removed without tools using two stainless steel clips. The gear-tray is also easy to remove with two screws, making it quick and simple to (retro)fit a GentleBeam bowl for high lighting comfort and/or the BL2 backlight shielding louver.

Benefits

- Balanced, timeless classic design.
- Visual lighting comfort versions available.
- Easy to install, tool-less opening and closing of lantern.
- Service tag.
- Optimized Dark Sky version complies with very low ULR requirements.

Applications

- Residential streets.
- Urban areas e.g. squares, parks and plazas.

Versions



CityClassic gen2, BDP510



CityClassic gen2, BDP513

- Promenades, walkways, or cycle paths.
- Shopping areas.
- Office or industrial estates.

Features

- Energy and optically-efficient LED technology
- Option to add diffuse GentleBeam comfort bowl and/or BL2 obtrusive backlight louver.
- Future-ready connectivity via Zhaga socket.
- LEDGINE-O LED platform with a wide range of optics to suit virtually any application
- Decorative ClearGuide LED platform optional.

CityClassic gen2, BDP510



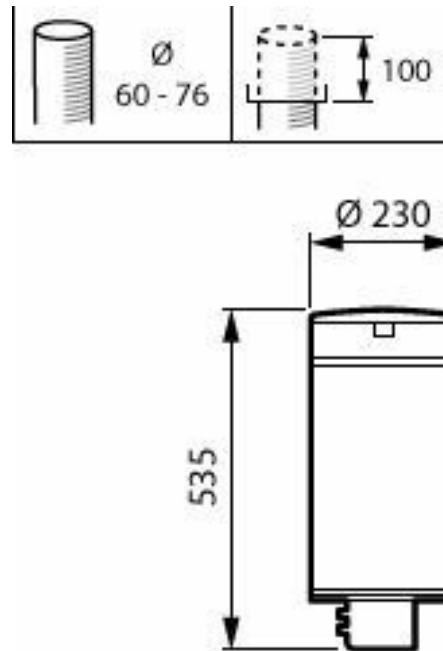
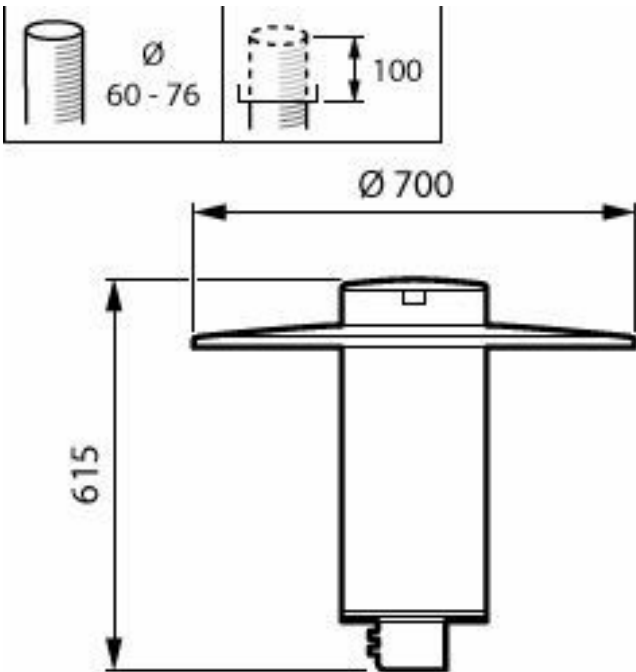
CityClassic gen2, BDP511



CityClassic gen2, BDP512

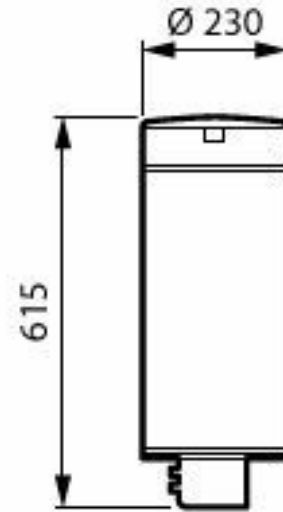
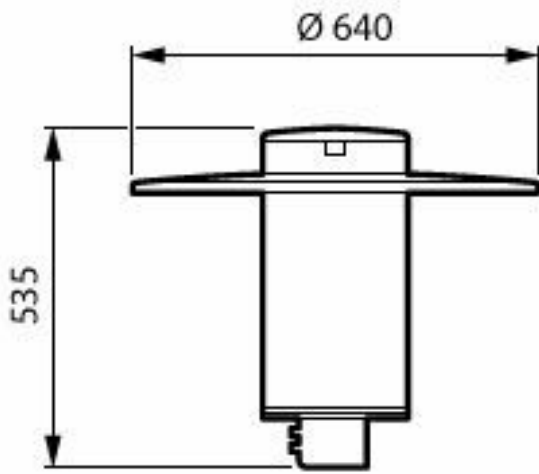
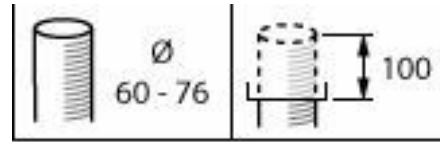
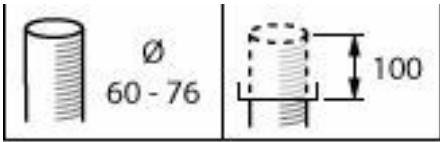


Dimensional drawing



CITYCLASSIC GEN2 - LED module 3000 lm - LED - 740 neutral white - Power supply unit with DALI interface - 220 to 240 V - 50 to 60 Hz - Safety class II - Distribution narrow 10 - Polycarbonate bowl/cover transparent - Dark gray - 6/6 kV - - - Post-top for diameter 76 mm

CITYCLASSIC S GEN2 TORCH - LED Module 2400 lm - LED - 727 warm white - Power supply unit - 220 to 240 V - 50 to 60 Hz - Safety class II - Distribution medium 32 - Polycarbonate bowl/cover transparent - Anthracite - 6/6 kV - - - Post-top for diameter 60 mm



CITYCLASSIC S GEN2 - LED Module 2400 lm - LED - 727 warm white - Power supply unit - 220 to 240 V - 50 to 60 Hz - Safety class II - Distribution medium 32 - Polycarbonate bowl/cover transparent - Anthracite - 6/6 kV - - - Post-top for diameter 60 mm

CITYCLASSIC GEN2 TORCH - LED Module 2400 lm - LED - 740 neutral white - Power supply unit with DALI interface and constant light output - 220 to 240 V - 50 to 60 Hz - Safety class II - Distribution symmetrical 50 - Polycarbonate bowl/cover transparent - Anthracite - 6/6 kV - - - Post-top for diameter 60 mm

General Information

Light source replaceable	Yes
Number of gear units	1 unit
Driver included	Yes
Service tag	Yes

Operating and Electrical

Surge Protection (Common/Differential)	Surge protection level until 6 kV differential mode and 6 kV common mode
--	--

Controls and Dimming

Maximum dim level	10%
-------------------	-----

Mechanical and Housing

Ingress protection code	IP66 [Dust penetration-protected, jet-proof]
Mech. impact protection code	IK10 [20 J vandal-resistant]
Standard tilt angle posttop	0°
Standard tilt angle side entry	-
Optical cover type	Polycarbonate bowl/cover transparent

Approval and Application

Flammability mark	For mounting on normally flammable surfaces
CE mark	Yes

General Information

Order Code	Full Product Name	Lamp family code
23288400	BDP510 LED24/740 DS50 CLO-DDF1 DGR CO 60	LED24
23291400	BDP513 LED24/727 DM32 II DGR 60P	LED24
24214200	BDP513 LED30/730 DM50 DGR 60P	LED30
23287700	BDP510 LED24/740 DS50 CLO-DDF1 DGR 60P	LED24
24212800	BDP510 LED24/730 DW50 DGR 60P	LED24
24213500	BDP510 LED27/730 DS50 DGR 60P	LED27
24219700	BDP510 LED20/730 DM12 II D11 GR-900 76P	LED20
24220300	BDP510 LED30/740 DN10 II D24 DDF2 GR-900	LED30
24221000	BDP510 LED24/830 DM12 BL2 II D11 GR-900	LED24
24222700	BDP510 LED30/830 DM12 BL2 II D11 GR-900	LED30
23289100	BDP511 LED24/740 DS50 II CLO-DDF1 DGR 60	LED24
23290700	BDP512 LED24/727 DM32 II DGR 60P	LED24

Light Technical

Order Code	Full Product Name	Upward light output ratio	Luminous Flux	Correlated Color Temperature (Nom)	Color rendering index (CRI)	Light source color	Luminaire light beam spread	Optic type outdoor
23288400	BDP510 LED24/740 DS50 CLO-DDF1 DGR CO 60	0.0204	2,040 lm	4000 K	70	740 neutral white	152° x 155°	Distribution symmetrical 50
23291400	BDP513 LED24/727 DM32 II DGR 60P	0.0815	1,992 lm	2700 K	70	727 warm white	4° - 58° x 149°	Distribution medium 32
24214200	BDP513 LED30/730 DM50 DGR 60P	0.0488	2,430 lm	3000 K	70	730 warm white	30° - 5° x 153°	Distribution medium 50

Order Code	Full Product Name	Upward light output ratio	Luminous Flux	Correlated Color Temperature (Nom)	Color rendering index (CRI)	Light source color	Luminaire light beam spread	Optic type outdoor
23287700	BDP510 LED24/740 DS50 CLO-DDF1 DGR 60P	0.0204	2,040 lm	4000 K	70	740 neutral white	152° x 155°	Distribution symmetrical 50
24212800	BDP510 LED24/730 DW50 DGR 60P	0.0326	2,040 lm	3000 K	70	730 warm white	12° - 29° x 152°	Distribution wide 50
24213500	BDP510 LED27/730 DS50 DGR 60P	0.0204	2,295 lm	3000 K	70	730 warm white	152° x 155°	Distribution symmetrical 50
24219700	BDP510 LED20/730 DM12 II D11 GR-900 76P	0.0542	1,660 lm	3000 K	70	730 warm white	88° x 157°	Distribution medium 12
24220300	BDP510 LED30/740 DN10 II D24 DDF2 GR-900	0.0672	2,460 lm	4000 K	70	740 neutral white	12° - 59° x 158°	Distribution narrow 10
24221000	BDP510 LED24/830 DM12 BL2 II D11 GR-900	0.0447	1,992 lm	3000 K	80	830 warm white	88° x 157°	Distribution medium 12
24222700	BDP510 LED30/830 DM12 BL2 II D11 GR-900	0.0447	2,460 lm	3000 K	80	830 warm white	88° x 157°	Distribution medium 12
23289100	BDP511 LED24/740 DS50 II CLO-DDF1 DGR 60	0.0309	2,064 lm	4000 K	70	740 neutral white	152° x 155°	Distribution symmetrical 50
23290700	BDP512 LED24/727 DM32 II DGR 60P	0.0577	2,016 lm	2700 K	70	727 warm white	4° - 58° x 149°	Distribution medium 32

Operating and Electrical

Order Code	Full Product Name	Power Consumption
23288400	BDP510 LED24/740 DS50 CLO-DDF1 DGR CO 60	14.8 W
23291400	BDP513 LED24/727 DM32 II DGR 60P	17.4 W
24214200	BDP513 LED30/730 DM50 DGR 60P	19.6 W
23287700	BDP510 LED24/740 DS50 CLO-DDF1 DGR 60P	14.8 W
24212800	BDP510 LED24/730 DW50 DGR 60P	15.8 W
24213500	BDP510 LED27/730 DS50 DGR 60P	17.6 W
24219700	BDP510 LED20/730 DM12 II D11 GR-900 76P	13.8 W
24220300	BDP510 LED30/740 DN10 II D24 DDF2 GR-900	18.4 W
24221000	BDP510 LED24/830 DM12 BL2 II D11 GR-900	18.8 W
24222700	BDP510 LED30/830 DM12 BL2 II D11 GR-900	23.5 W
23289100	BDP511 LED24/740 DS50 II CLO-DDF1 DGR 60	14.8 W
23290700	BDP512 LED24/727 DM32 II DGR 60P	17.4 W

Controls and Dimming

Order Code	Full Product Name	Dimmable
23288400	BDP510 LED24/740 DS50 CLO-DDF1 DGR CO 60	Yes
23291400	BDP513 LED24/727 DM32 II DGR 60P	No
24214200	BDP513 LED30/730 DM50 DGR 60P	No
23287700	BDP510 LED24/740 DS50 CLO-DDF1 DGR 60P	Yes
24212800	BDP510 LED24/730 DW50 DGR 60P	No
24213500	BDP510 LED27/730 DS50 DGR 60P	No
24219700	BDP510 LED20/730 DM12 II D11 GR-900 76P	Yes
24220300	BDP510 LED30/740 DN10 II D24 DDF2 GR-900	Yes
24221000	BDP510 LED24/830 DM12 BL2 II D11 GR-900	Yes
24222700	BDP510 LED30/830 DM12 BL2 II D11 GR-900	Yes
23289100	BDP511 LED24/740 DS50 II CLO-DDF1 DGR 60	Yes
23290700	BDP512 LED24/727 DM32 II DGR 60P	No

Mechanical and Housing

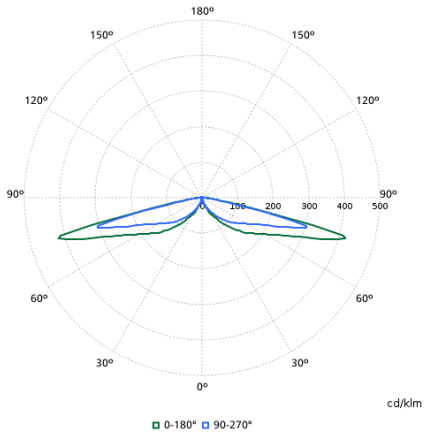
Order Code	Full Product Name	Housing Color
23288400	BDP510 LED24/740 DS50 CLO-DDF1 DGR CO 60	Anthracite
23291400	BDP513 LED24/727 DM32 II DGR 60P	Anthracite
24214200	BDP513 LED30/730 DM50 DGR 60P	Anthracite
23287700	BDP510 LED24/740 DS50 CLO-DDF1 DGR 60P	Anthracite
24212800	BDP510 LED24/730 DW50 DGR 60P	Anthracite
24213500	BDP510 LED27/730 DS50 DGR 60P	Anthracite
24219700	BDP510 LED20/730 DM12 II D11 GR-900 76P	Gray
24220300	BDP510 LED30/740 DN10 II D24 DDF2 GR-900	Gray
24221000	BDP510 LED24/830 DM12 BL2 II D11 GR-900	Gray
24222700	BDP510 LED30/830 DM12 BL2 II D11 GR-900	Gray
23289100	BDP511 LED24/740 DS50 II CLO-DDF1 DGR 60	Anthracite
23290700	BDP512 LED24/727 DM32 II DGR 60P	Anthracite

Product Data

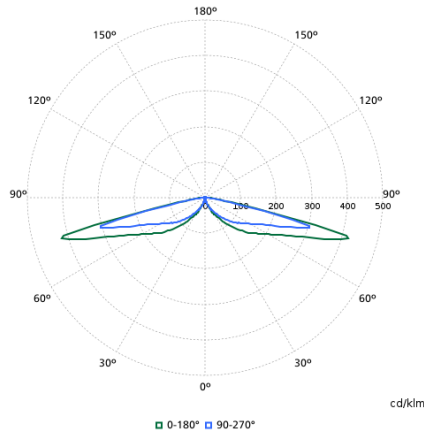
Order Code	Full Product Name	Product family code
23288400	BDP510 LED24/740 DS50 CLO-DDF1 DGR CO 60	BDP510
23291400	BDP513 LED24/727 DM32 II DGR 60P	BDP513
24214200	BDP513 LED30/730 DM50 DGR 60P	BDP513
23287700	BDP510 LED24/740 DS50 CLO-DDF1 DGR 60P	BDP510
24212800	BDP510 LED24/730 DW50 DGR 60P	BDP510
24213500	BDP510 LED27/730 DS50 DGR 60P	BDP510
24219700	BDP510 LED20/730 DM12 II D11 GR-900 76P	BDP510

Order Code	Full Product Name	Product family code
24220300	BDP510 LED30/740 DN10 II D24 DDF2 GR-900	BDP510
24221000	BDP510 LED24/830 DM12 BL2 II D11 GR-900	BDP510
24222700	BDP510 LED30/830 DM12 BL2 II D11 GR-900	BDP510
23289100	BDP511 LED24/740 DS50 II CLO-DDF1 DGR 60	BDP511
23290700	BDP512 LED24/727 DM32 II DGR 60P	BDP512

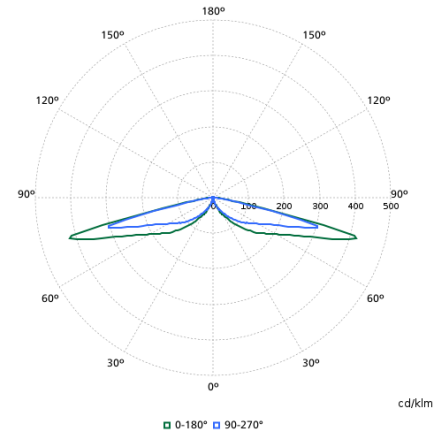
Polar normal diagrams



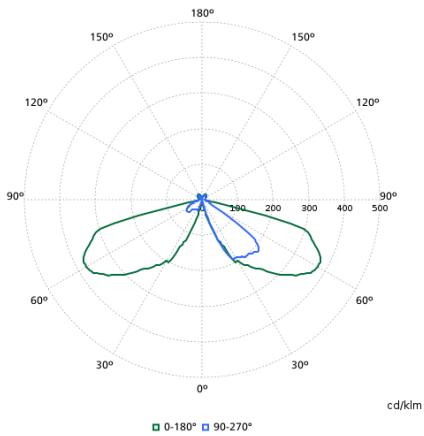
BDP510I - 912300024994



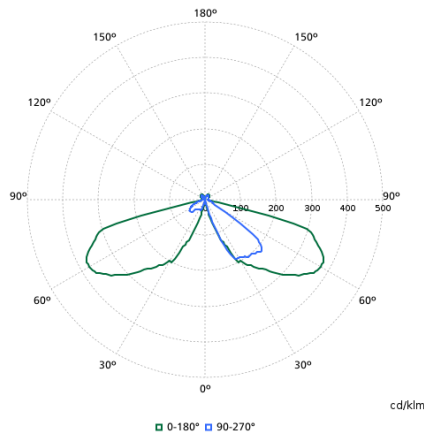
BDP510I - 912300024995



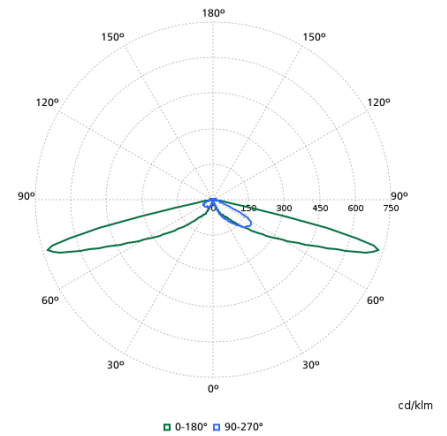
BDP510I - 912300024996



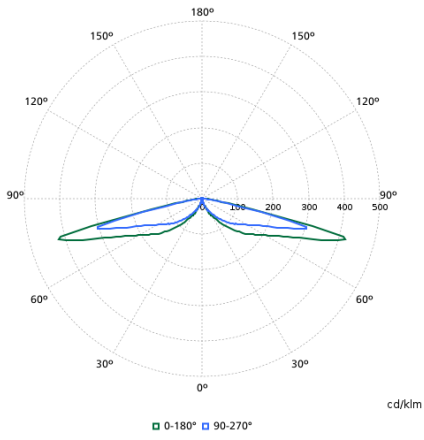
BDP510I - 912300024997



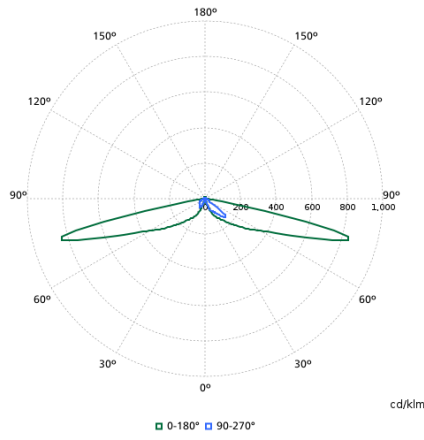
BDP510I - 912300024998



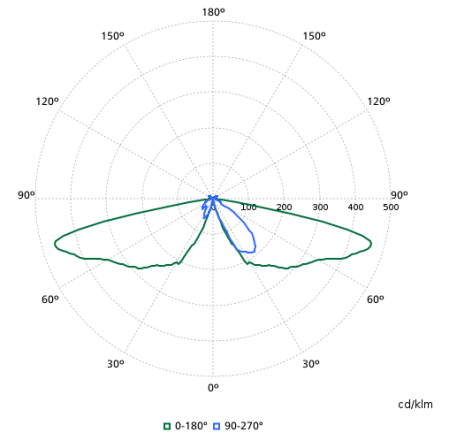
BDP510I - 912300060133



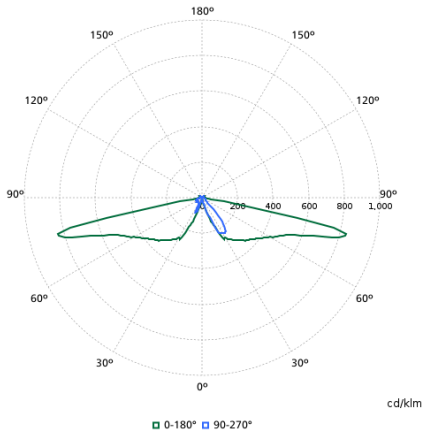
BDP510I - 912300060134



BDP510I - 912300060135



BDP510I - 912300060140



BDP510I - 912300060141