



CityClassic gen2 – Classic design, in balance with today's requirements

A balanced, classic design, combined with the latest highly-efficient and future-ready connectivity technology, make CityClassic gen2 a decorative asset for any urban lighting application. Thanks to LED technology, today's luminaires reach very high energy and optical efficacy; CityClassic gen2 also offers the ultimate in design flexibility and functionality. The LEDGINE-O platform comes as standard with fluxes ranging from 600 up to 6500 lm, a choice of more than 30 optics and distributions, and different CCTs and CRIs. The result is fantastic performance and visual comfort, with the promise of future-ready connectivity options. You can also opt for the unique ClearGuide LED platform – a modern and decorative interpretation of the cylinder lantern with a horizontal lamp in a louver stack, that has become so popular. Dedicated Dark Sky versions with low ULR (<1%) requirements are also available. The CityClassic gen2 family is designed to be completely modular. There are two sizes,

large and small, each with a matching size large canopy, or Torch versions with no canopy. It's also possible to mix and match different masts and brackets to suit the specific needs of your application. Installation is simple thanks to an IP-rated plug socket connector in the spigot. To make servicing and maintenance easy, or for future connectivity upgrades, the gear cover can be removed without tools using two stainless steel clips. The gear-tray is also easy to remove with two screws, making it quick and simple to (retro)fit a GentleBeam bowl for high lighting comfort and/or the BL2 backlight shielding louver.

Benefits

- Balanced, timeless classic design.
- Visual lighting comfort versions available.
- Easy to install, tool-less opening and closing of lantern.
- Service tag.
- Optimized Dark Sky version complies with very low ULR requirements.

Applications

- Residential streets.
- Urban areas e.g. squares, parks and plazas.

Versions



CityClassic gen2, BDP510



CityClassic gen2, BDP513

- Promenades, walkways, or cycle paths.
- Shopping areas.
- Office or industrial estates.

Features

- Energy and optically-efficient LED technology
- Option to add diffuse GentleBeam comfort bowl and/or BL2 obtrusive backlight louver.
- Future-ready connectivity via Zhaga socket.
- LEDGINE-O LED platform with a wide range of optics to suit virtually any application
- Decorative ClearGuide LED platform optional.

CityClassic gen2, BDP510



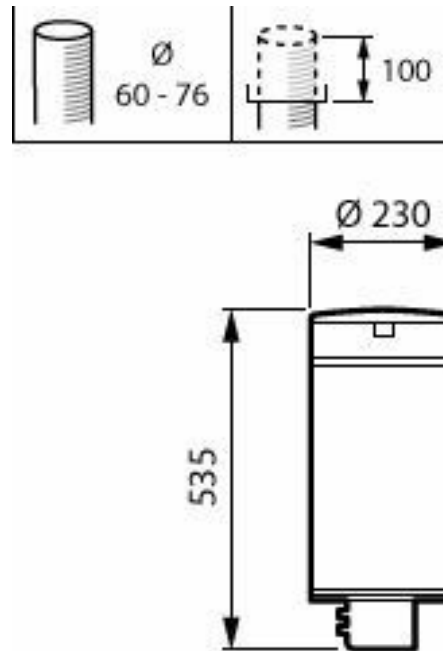
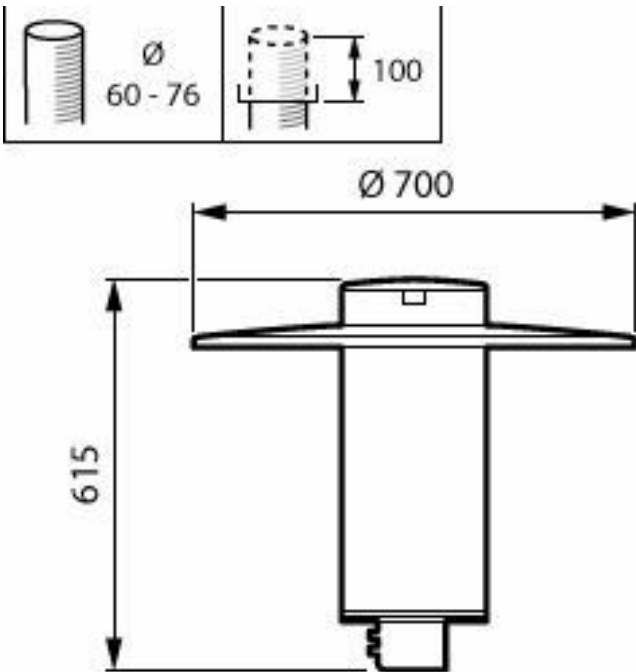
CityClassic gen2, BDP511



CityClassic gen2, BDP512

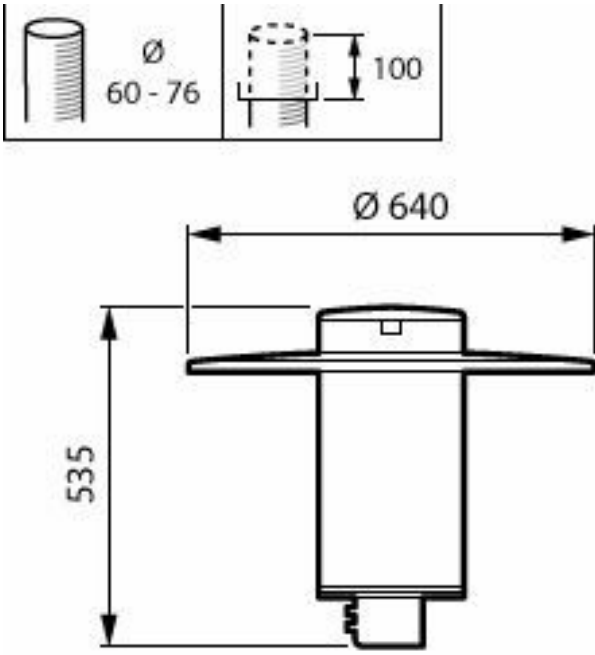


Dimensional drawing

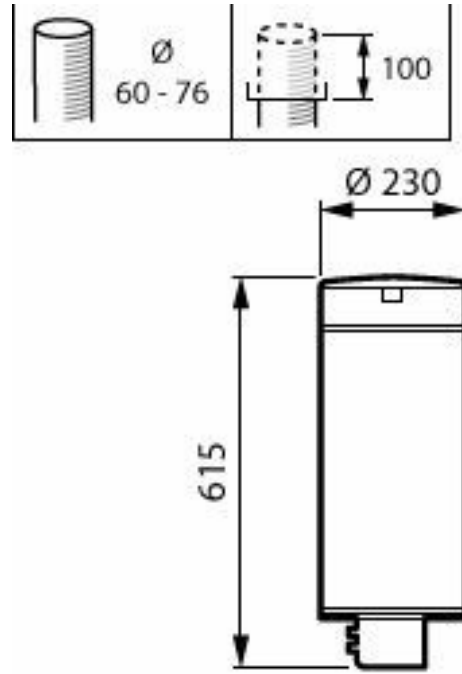


CITYCLASSIC GEN2 - LED Module 2400 lm - LED - 740 neutral white - Power supply unit with DALI interface and constant light output - 220 to 240 V - 50 to 60 Hz - Safety class II - Distribution symmetrical 50 - Polycarbonate bowl/cover transparent - Anthracite - 6/6 kV - - - Post-top for diameter 60 mm

CITYCLASSIC S GEN2 TORCH - LED module 3000 lm - LED - 730 warm white - Power supply unit - 220 to 240 V - 50 to 60 Hz - Safety class I - Distribution medium 50 - Polycarbonate bowl/cover transparent - Anthracite - 6/6 kV - - - Post-top for diameter 60 mm



Dimensional drawing CityClassic gen2 BDP512



CITYCLASSIC GEN2 TORCH - LED Module 2400 lm - LED - 740 neutral white - Power supply unit with DALI interface and constant light output - 220 to 240 V - 50 to 60 Hz - Safety class II - Distribution symmetrical 50 - Polycarbonate bowl/cover transparent - Anthracite - 6/6 kV - - - Post-top for diameter 60 mm

General Information

Light source replaceable	Yes
Number of gear units	1 unit
Driver included	Yes
Service tag	Yes

Operating and Electrical

Surge Protection (Common/Differential)	Surge protection level until 6 kV differential mode and 6 kV common mode
--	--

Controls and Dimming

Maximum dim level	10%
-------------------	-----

Mechanical and Housing

Ingress protection code	IP66 [Dust penetration-protected, jet-proof]
Mech. impact protection code	IK10 [20 J vandal-resistant]
Standard tilt angle posttop	0°
Standard tilt angle side entry	-
Optical cover type	Polycarbonate bowl/cover transparent

Approval and Application

Flammability mark	For mounting on normally flammable surfaces
CE mark	Yes

General Information

Order Code	Full Product Name	Lamp family code
912300024995	BDP510 LED24/740 DS50 CLO-DDF1 DGR CO 60	LED24
912300024998	BDP513 LED24/727 DM32 II DGR 60P	LED24
912300060135	BDP513 LED30/730 DM50 DGR 60P	LED30
912300024994	BDP510 LED24/740 DS50 CLO-DDF1 DGR 60P	LED24
912300060133	BDP510 LED24/730 DW50 DGR 60P	LED24
912300060134	BDP510 LED27/730 DS50 DGR 60P	LED27
912300060140	BDP510 LED20/730 DM12 II D11 GR-900 76P	LED20
912300060141	BDP510 LED30/740 DN10 II D24 DDF2 GR-900	LED30
912300060142	BDP510 LED24/830 DM12 BL2 II D11 GR-900	LED24
912300060143	BDP510 LED30/830 DM12 BL2 II D11 GR-900	LED30
912300024996	BDP511 LED24/740 DS50 II CLO-DDF1 DGR 60	LED24
912300024997	BDP512 LED24/727 DM32 II DGR 60P	LED24
912300060288	BDP512 LED40-4S/830 PSD-SR II DS50 GR CL	LED40
912300060289	BDP512 LED40-4S/830 PSD-SR II DM33 GR CL	LED40
912300060291	BDP512 LED30-4S/830 PSDD II DS50 GR MSP	LED30
912300060292	BDP512 LED30-4S/727 PSDD II DS50 GR MSP	LED30

Light Technical

Order Code	Full Product Name	Upward light output ratio	Luminous Flux	Correlated Color Temperature (Nom)	Color rendering index (CRI)	Light source color	Luminaire light beam spread	Optic type outdoor
912300024995	BDP510 LED24/740 DS50 CLO-DDF1 DGR CO 60	0.0204	2,040 lm	4000 K	70	740 neutral white	152° x 155°	Distribution symmetrical 50
912300024998	BDP513 LED24/727 DM32 II DGR 60P	0.0815	1,992 lm	2700 K	70	727 warm white	4° - 58° x 149°	Distribution medium 32
912300060135	BDP513 LED30/730 DM50 DGR 60P	0.0488	2,430 lm	3000 K	70	730 warm white	30° - 5° x 153°	Distribution medium 50
912300024994	BDP510 LED24/740 DS50 CLO-DDF1 DGR 60P	0.0204	2,040 lm	4000 K	70	740 neutral white	152° x 155°	Distribution symmetrical 50
912300060133	BDP510 LED24/730 DW50 DGR 60P	0.0326	2,040 lm	3000 K	70	730 warm white	12° - 29° x 152°	Distribution wide 50
912300060134	BDP510 LED27/730 DS50 DGR 60P	0.0204	2,295 lm	3000 K	70	730 warm white	152° x 155°	Distribution symmetrical 50
912300060140	BDP510 LED20/730 DM12 II D11 GR-900 76P	0.0542	1,660 lm	3000 K	70	730 warm white	88° x 157°	Distribution medium 12
912300060141	BDP510 LED30/740 DN10 II D24 DDF2 GR-900	0.0672	2,460 lm	4000 K	70	740 neutral white	12° - 59° x 158°	Distribution narrow 10
912300060142	BDP510 LED24/830 DM12 BL2 II D11 GR-900	0.0447	1,992 lm	3000 K	80	830 warm white	88° x 157°	Distribution medium 12
912300060143	BDP510 LED30/830 DM12 BL2 II D11 GR-900	0.0447	2,460 lm	3000 K	80	830 warm white	88° x 157°	Distribution medium 12
912300024996	BDP511 LED24/740 DS50 II CLO-DDF1 DGR 60	0.0309	2,064 lm	4000 K	70	740 neutral white	152° x 155°	Distribution symmetrical 50
912300024997	BDP512 LED24/727 DM32 II DGR 60P	0.0577	2,016 lm	2700 K	70	727 warm white	4° - 58° x 149°	Distribution medium 32
912300060288	BDP512 LED40-4S/830 PSD-SR II DS50 GR CL	0.0204	3,280 lm	3000 K	80	830 warm white	152° x 155°	Distribution symmetrical 50
912300060289	BDP512 LED40-4S/830 PSD-SR II DM33 GR CL	0.0542	3,280 lm	3000 K	80	830 warm white	4° - 57° x 149°	Distribution medium 33
912300060291	BDP512 LED30-4S/830 PSDD II DS50 GR MSP	0.0204	2,520 lm	3000 K	80	830 warm white	152° x 155°	Distribution symmetrical 50
912300060292	BDP512 LED30-4S/727 PSDD II DS50 GR MSP	0.0204	2,490 lm	2700 K	70	727 warm white	152° x 155°	Distribution symmetrical 50

Operating and Electrical

Order Code	Full Product Name	Power Consumption
912300024995	BDP510 LED24/740 DS50 CLO-DDF1 DGR CO 60	14.8 W
912300024998	BDP513 LED24/727 DM32 II DGR 60P	17.4 W
912300060135	BDP513 LED30/730 DM50 DGR 60P	19.6 W
912300024994	BDP510 LED24/740 DS50 CLO-DDF1 DGR 60P	14.8 W
912300060133	BDP510 LED24/730 DW50 DGR 60P	15.8 W
912300060134	BDP510 LED27/730 DS50 DGR 60P	17.6 W
912300060140	BDP510 LED20/730 DM12 II D11 GR-900 76P	13.8 W
912300060141	BDP510 LED30/740 DN10 II D24 DDF2 GR-900	18.4 W
912300060142	BDP510 LED24/830 DM12 BL2 II D11 GR-900	18.8 W
912300060143	BDP510 LED30/830 DM12 BL2 II D11 GR-900	23.5 W
912300024996	BDP511 LED24/740 DS50 II CLO-DDF1 DGR 60	14.8 W
912300024997	BDP512 LED24/727 DM32 II DGR 60P	17.4 W
912300060288	BDP512 LED40-4S/830 PSD-SR II DS50 GR CL	31 W
912300060289	BDP512 LED40-4S/830 PSD-SR II DM33 GR CL	31 W
912300060291	BDP512 LED30-4S/830 PSDD II DS50 GR MSP	23.5 W
912300060292	BDP512 LED30-4S/727 PSDD II DS50 GR MSP	21.5 W

Controls and Dimming

Order Code	Full Product Name	Dimmable
912300024995	BDP510 LED24/740 DS50 CLO-DDF1 DGR CO 60	Yes
912300024998	BDP513 LED24/727 DM32 II DGR 60P	No
912300060135	BDP513 LED30/730 DM50 DGR 60P	No
912300024994	BDP510 LED24/740 DS50 CLO-DDF1 DGR 60P	Yes
912300060133	BDP510 LED24/730 DW50 DGR 60P	No
912300060134	BDP510 LED27/730 DS50 DGR 60P	No
912300060140	BDP510 LED20/730 DM12 II D11 GR-900 76P	Yes
912300060141	BDP510 LED30/740 DN10 II D24 DDF2 GR-900	Yes
912300060142	BDP510 LED24/830 DM12 BL2 II D11 GR-900	Yes
912300060143	BDP510 LED30/830 DM12 BL2 II D11 GR-900	Yes
912300024996	BDP511 LED24/740 DS50 II CLO-DDF1 DGR 60	Yes
912300024997	BDP512 LED24/727 DM32 II DGR 60P	No
912300060288	BDP512 LED40-4S/830 PSD-SR II DS50 GR CL	Yes
912300060289	BDP512 LED40-4S/830 PSD-SR II DM33 GR CL	Yes
912300060291	BDP512 LED30-4S/830 PSDD II DS50 GR MSP	Yes
912300060292	BDP512 LED30-4S/727 PSDD II DS50 GR MSP	Yes

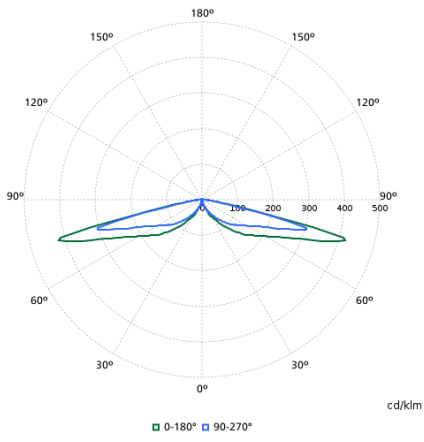
Mechanical and Housing

Order Code	Full Product Name	Housing Color
912300024995	BDP510 LED24/740 DS50 CLO-DDF1 DGR CO 60	Anthracite
912300024998	BDP513 LED24/727 DM32 II DGR 60P	Anthracite
912300060135	BDP513 LED30/730 DM50 DGR 60P	Anthracite
912300024994	BDP510 LED24/740 DS50 CLO-DDF1 DGR 60P	Anthracite
912300060133	BDP510 LED24/730 DW50 DGR 60P	Anthracite
912300060134	BDP510 LED27/730 DS50 DGR 60P	Anthracite
912300060140	BDP510 LED20/730 DM12 II D11 GR-900 76P	Gray
912300060141	BDP510 LED30/740 DN10 II D24 DDF2 GR-900	Gray
912300060142	BDP510 LED24/830 DM12 BL2 II D11 GR-900	Gray
912300060143	BDP510 LED30/830 DM12 BL2 II D11 GR-900	Gray
912300024996	BDP511 LED24/740 DS50 II CLO-DDF1 DGR 60	Anthracite
912300024997	BDP512 LED24/727 DM32 II DGR 60P	Anthracite
912300060288	BDP512 LED40-4S/830 PSD-SR II DS50 GR CL	Gray
912300060289	BDP512 LED40-4S/830 PSD-SR II DM33 GR CL	Gray
912300060291	BDP512 LED30-4S/830 PSDD II DS50 GR MSP	Gray
912300060292	BDP512 LED30-4S/727 PSDD II DS50 GR MSP	Gray

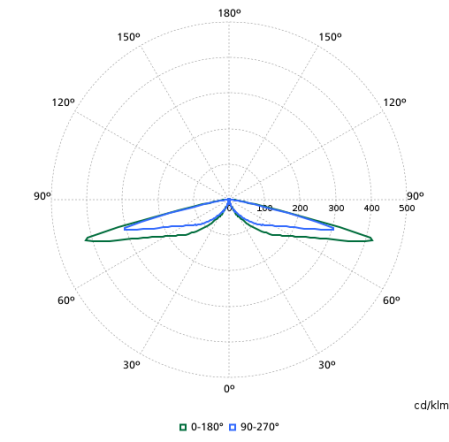
Product Data

Order Code	Full Product Name	Product family code
912300024995	BDP510 LED24/740 DS50 CLO-DDF1 DGR CO 60	BDP510
912300024998	BDP513 LED24/727 DM32 II DGR 60P	BDP513
912300060135	BDP513 LED30/730 DM50 DGR 60P	BDP513
912300024994	BDP510 LED24/740 DS50 CLO-DDF1 DGR 60P	BDP510
912300060133	BDP510 LED24/730 DW50 DGR 60P	BDP510
912300060134	BDP510 LED27/730 DS50 DGR 60P	BDP510
912300060140	BDP510 LED20/730 DM12 II D11 GR-900 76P	BDP510
912300060141	BDP510 LED30/740 DN10 II D24 DDF2 GR-900	BDP510
912300060142	BDP510 LED24/830 DM12 BL2 II D11 GR-900	BDP510
912300060143	BDP510 LED30/830 DM12 BL2 II D11 GR-900	BDP510
912300024996	BDP511 LED24/740 DS50 II CLO-DDF1 DGR 60	BDP511
912300024997	BDP512 LED24/727 DM32 II DGR 60P	BDP512
912300060288	BDP512 LED40-4S/830 PSD-SR II DS50 GR CL	BDP512
912300060289	BDP512 LED40-4S/830 PSD-SR II DM33 GR CL	BDP512
912300060291	BDP512 LED30-4S/830 PSDD II DS50 GR MSP	BDP512
912300060292	BDP512 LED30-4S/727 PSDD II DS50 GR MSP	BDP512

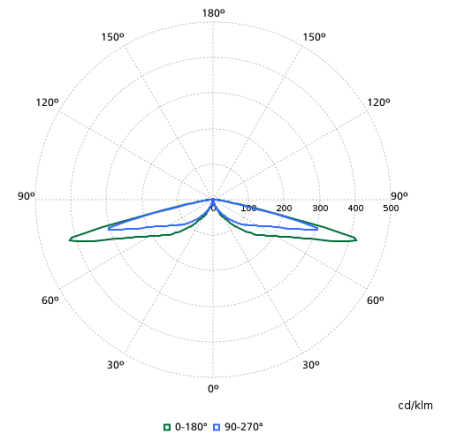
Polar normal diagrams



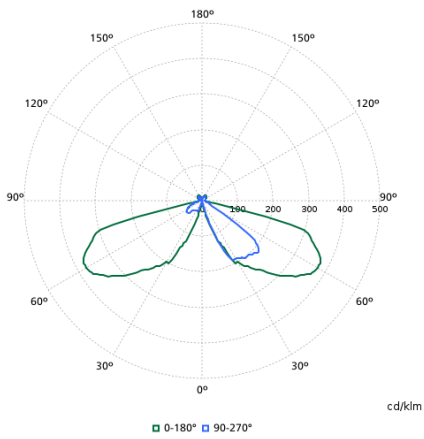
BDP510I - 912300024994



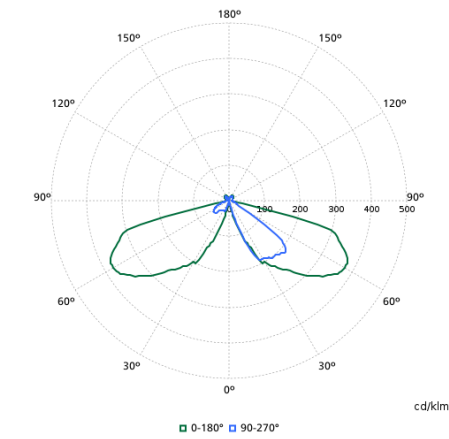
BDP510I - 912300024995



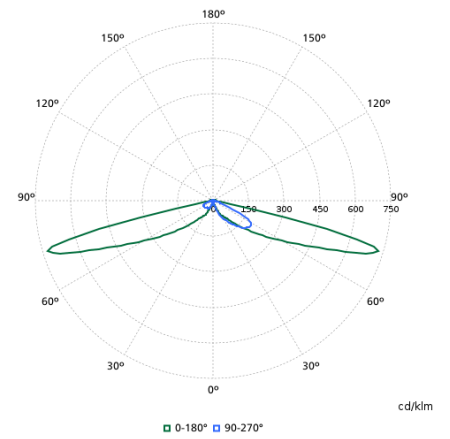
BDP510I - 912300024996



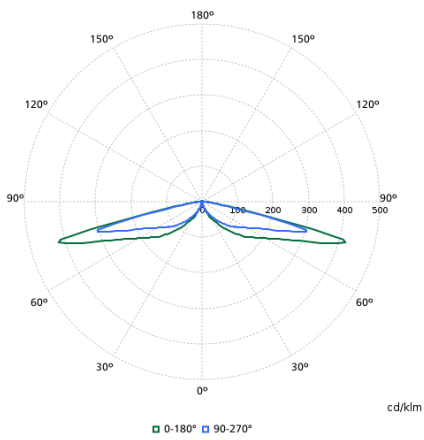
BDP510I - 912300024997



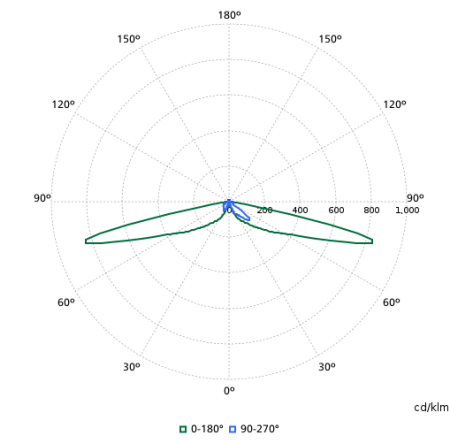
BDP510I - 912300024998



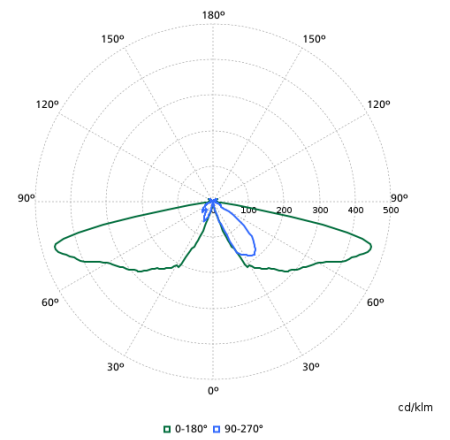
BDP510I - 912300060133



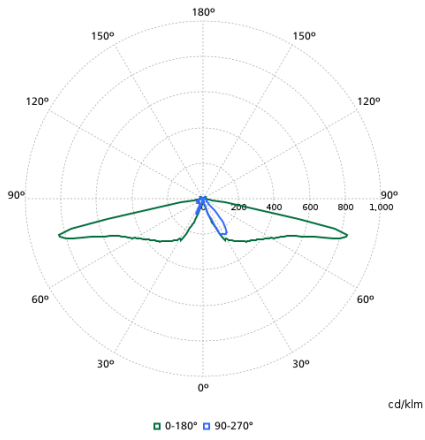
BDP510I - 912300060134



BDP510I - 912300060135



BDP510I - 912300060140



BDP510I - 912300060141