



TownTune Asymmetric Lyre - Extending the home feel onto the street

Designed to enhance existing and scalable urban spaces, the TownTune family offers all the latest lighting innovations in terms of performance, quality of light and connectivity. The family consists of four solutions: a Central Post Top (CPT), an Asymmetric Spigot Post Top / Side Entry version (ASY), a version with an extending Lyre post top bracket (Lyre), and a Central Post Top with a Conical Comfort Bowl (CCB). Each TownTune luminaire can be customized with a choice of different shapes on top of the housing, plus there's the option to add a decorative ring, which comes in two colors (excluding CCB). Design options that enable you to create your very own lighting signature and bring a distinctive identity to districts and cities. In addition, every luminaire in the TownTune family is uniquely identifiable, thanks to the Signify Service tag app. By simply scanning a QR code, placed inside the door of the mast or directly on the luminaire, you can instantly access the configuration of the luminaire.

This makes maintenance and programming operations faster and easier and enables you to create your digital library of lighting assets and spare parts. TownTune also uses the LEDGINE-O lighting platform, ensuring you always have the right amount and direction of light on your street. Furthermore, thanks to being system ready (SR), TownTune is also future proof. A solution that's ready to be paired with both standalone and advanced control and lighting software applications such as Interact City.

Benefits

- LEDGINE-O platform for great performance, choice color temperatures and light distributions
- Optimized Total Cost of Ownership (L-Tune for flux tuning, standalone controls e.g., LumiStep, Dynadimmer, CLO (Constant Light output), LineSwitch)
- Ready to pair with advanced systems and software applications e.g., Interact City
- Long lifetime: 100,000 hours @L85 and higher
- Easy access to gear, vandal resistant (IK10), high ingress protection (IP66)

Applications

- Urban and residential areas
- Cycle paths, footpaths and pedestrian crossings

Versions

TownTune LYR BDP270

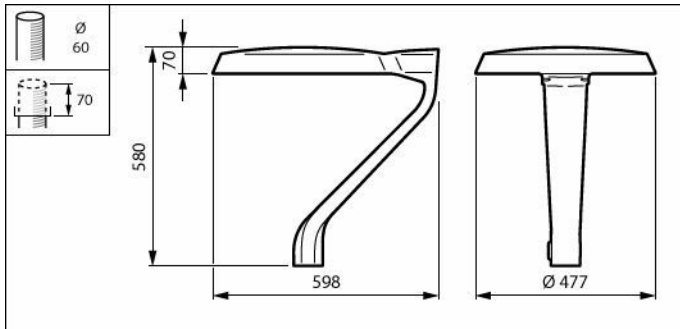


- City centers and squares
- Car parks

Features

- Simple design for easy integration into urban spaces, wide range of accessories for customization
- Suitable for new and retrofit installa
- Range of lumen packages (1200 to 12000 lm) and CCTs (2200K, 2700K, 3000K, 4000K)
- Dedicated bowl for visual comfort and comfortable lighting experiences
- Service tag for easy installation and maintenance.

Dimensional drawing



TOWNTUNE ASYMMETRIC LYRE - LED module 5000 lm - LED - 830 warm white - Power supply unit - 230 to 240 V - 50 to 60 Hz - Safety class II - Distribution medium 10 - Polycarbonate bowl/cover UV-resistant - Dark gray - Philips standard surge protection level - Post-top for diameter 62 mm

Product details



TownTune LYR BDP270



TownTune ASY BDP265



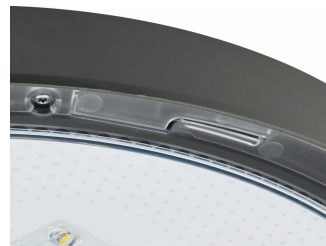
TownTune ASY BDP265



TownTune ASY BDP265



TownTune ASY BDP265



TownTune ASY DR BDP266



TownTune ASY BDP265

General Information

Light source replaceable	Yes
Number of gear units	1 unit
Driver included	Yes
Service tag	Yes

Light Technical

Upward light output ratio	0
Number of light sources	30

Operating and Electrical

Surge Protection (Common/Differential)	Standard surge protection level
--	---------------------------------

Controls and Dimming

Maximum dim level	10%
-------------------	-----

Mechanical and Housing

Housing Color	Gray
Ingress protection code	IP66 [Dust penetration-protected, jet-proof]
Mech. impact protection code	IK09 [10 J]
Standard tilt angle posttop	0°
Standard tilt angle side entry	-
Optical cover type	Polycarbonate bowl/cover UV-resistant

Approval and Application

Flammability mark	For mounting on normally flammable surfaces
CE mark	Yes

Over Time Performance (IEC Compliant)

Driver failure rate at 5000 h	0.5 %
-------------------------------	-------

Product Data

Product family code BDP270 [TOWNTUNE ASYMMETRIC LYRE]

General Information

Order Code	Full Product Name	Lamp family code
49765100	BDP270 LED40-4S/830 DM50 CLO DDF3 62P	LED40
49769900	BDP270 LED12-4S/740 DN10 CLO SRT SRB 62P	LED12
88203700	BDP270 LED79-4S/830 II DS50 62P	LED79
88204400	BDP270 LED50-4S/830 II DM10 62P	LED50
21433000	BDP270 LED69-4S/740 PSDD II DM10 DGR DF2	LED69

Light Technical

Order Code	Full Product Name	Luminous Flux	Correlated Color Temperature (Nom)	Color rendering index (CRI)	Light source color	Luminaire light beam spread	Optic type outdoor
49765100	BDP270 LED40-4S/830 DM50 CLO DDF3 62P	2,888 lm	3000 K	80	830 warm white	6° - 79° x 154°	Distribution medium 50
49769900	BDP270 LED12-4S/740 DN10 CLO SRT SRB 62P	936 lm	4000 K	70	740 neutral white	12° - 59° x 158°	Distribution narrow 10
88203700	BDP270 LED79-4S/830 II DS50 62P	5,840 lm	3000 K	80	830 warm white	152° x 155°	Distribution symmetrical 50
88204400	BDP270 LED50-4S/830 II DM10 62P	3,900 lm	3000 K	80	830 warm white	77° - 11° x 156°	Distribution medium 10
21433000	BDP270 LED69-4S/740 PSDD II DM10 DGR DF2	5,530 lm	4000 K	70	740 neutral white	77° - 11° x 156°	Distribution medium 10

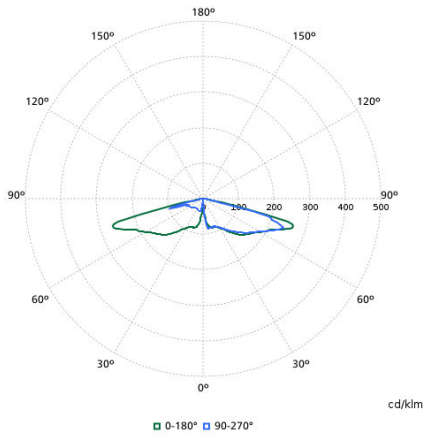
Operating and Electrical

Order Code	Full Product Name	Power Consumption
49765100	BDP270 LED40-4S/830 DM50 CLO DDF3 62P	30.5 W
49769900	BDP270 LED12-4S/740 DN10 CLO SRT SRB 62P	8.5 W
88203700	BDP270 LED79-4S/830 II DS50 62P	60 W
88204400	BDP270 LED50-4S/830 II DM10 62P	40 W
21433000	BDP270 LED69-4S/740 PSDD II DM10 DGR DF2	41.5 W

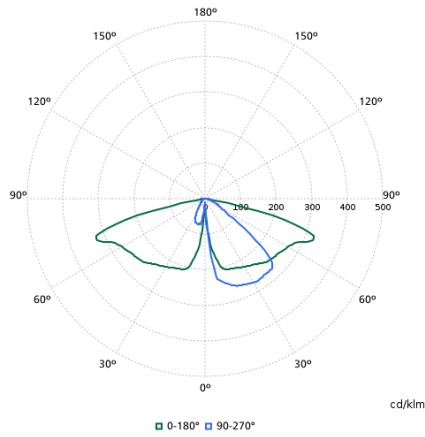
Controls and Dimming

Order Code	Full Product Name	Dimmable
49765100	BDP270 LED40-4S/830 DM50 CLO DDF3 62P	Yes
49769900	BDP270 LED12-4S/740 DN10 CLO SRT SRB 62P	Yes
88203700	BDP270 LED79-4S/830 II DS50 62P	No
88204400	BDP270 LED50-4S/830 II DM10 62P	No
21433000	BDP270 LED69-4S/740 PSDD II DM10 DGR DF2	Yes

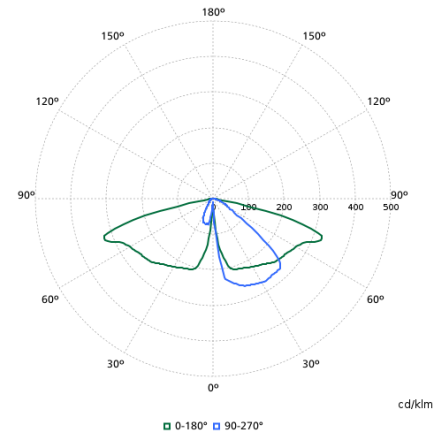
Polar normal diagrams



BDP265I - 912300024462



BDP265I - 912300024463



BDP265I - 912300024874