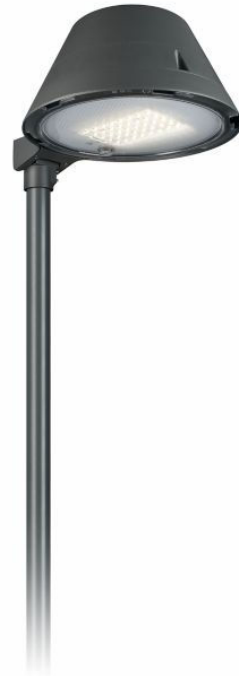




TownTune Asymmetric  
DTC

BDP267



## TownTune Asymmetric - Extending the home feel onto the street

Designed to enhance existing and scalable urban spaces, the TownTune family offers all the latest lighting innovations in terms of performance, quality of light and connectivity. The family consists of four solutions: a Central Post Top (CPT), an Asymmetric Spigot Post Top / Side Entry version (ASY), a version with an extending Lyre post top bracket (Lyre), and a Central Post Top with a Conical Comfort Bowl (CCB). Each TownTune luminaire can be customized with a choice of different shapes on top of the housing, plus there's the option to add a decorative ring, which comes in two colors (excluding CCB). Design options that enable you to create your very own lighting signature and bring a distinctive identity to districts and cities. In addition, every luminaire in the TownTune family is uniquely identifiable, thanks to the Signify Service tag app. By simply scanning a QR code, placed inside the door of the mast or directly on the luminaire, you can instantly access the configuration of the luminaire.

This makes maintenance and programming operations faster and easier and enables you to create your digital library of lighting assets and spare parts. TownTune also uses the LEDGINE-O lighting platform, ensuring you always have the right amount and direction of light on your street. Furthermore, thanks to being system ready (SR), TownTune is also future proof. A solution that's ready to be paired with both standalone and advanced control and lighting software applications such as Interact City.

## Benefits

- LEDGINE-O platform for great performance, choice color temperatures and light distributions
- Optimized Total Cost of Ownership (L-Tune for flux tuning, standalone controls e.g., LumiStep, Dynadimmer, CLO (Constant Light output), LineSwitch)
- Ready to pair with advanced systems and software applications e.g., Interact City
- Long lifetime: 100,000 hours @L85 and higher
- Easy access to gear, vandal resistant (IK10), high ingress protection (IP66)

## Applications

- Urban and residential areas
- Cycle paths, footpaths and pedestrian crossings

## Versions



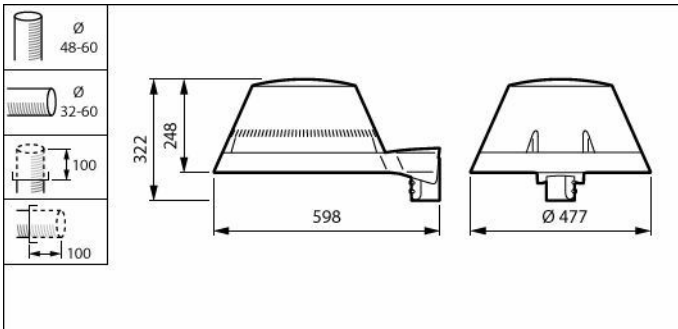
TownTune ASY DTC  
BDP267

- City centers and squares
- Car parks

## Features

- Simple design for easy integration into urban spaces, wide range of accessories for customization
- Suitable for new and retrofit installations
- Range of lumen packages (1200 to 12000 lm) and CCTs (2200K, 2700K, 3000K, 4000K)
- Dedicated bowl for visual comfort and comfortable lighting experiences
- Service tag for easy installation and maintenance

## Dimensional drawing



BDP267, TownTune asymmetric with decorative top cone

## Product details



TownTune ASY BDP265



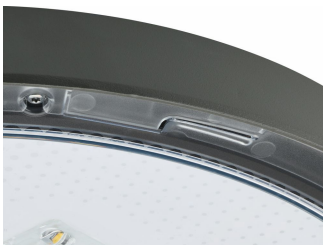
TownTune ASY BDP265



TownTune ASY BDP265



TownTune ASY BDP265



TownTune ASY DR BDP266



TownTune ASY BDP265

### General Information

Light source replaceable	Yes
Number of gear units	1 unit
Driver included	Yes
Service tag	Yes

### Light Technical

Upward light output ratio	0
---------------------------	---

## Operating and Electrical

Surge Protection (Common/Differential) Standard surge protection level

## Controls and Dimming

Dimmable Yes  
Maximum dim level 10%

## Mechanical and Housing

Housing Color Gray  
Ingress protection code IP66 [Dust penetration-protected, jet-proof]  
Mech. impact protection code IK09 [10 J]  
Standard tilt angle posttop -  
Standard tilt angle side entry 0°  
Optical cover type Polycarbonate bowl/cover UV-resistant

## Approval and Application

Flammability mark For mounting on normally flammable surfaces  
CE mark Yes

## Over Time Performance (IEC Compliant)

Driver failure rate at 5000 h 0.5 %

## Product Data

Product family code BDP267 [TOWNTUNE ASYMMETRIC DTC]

## General Information

Order Code	Full Product Name	Lamp family code
49759000	BDP267 LED59-4S/830 II DW50 DR CLO LS-6	LED59
49763700	BDP267 LED24-4S/740 II DM33 CLO SRT SRB	LED24

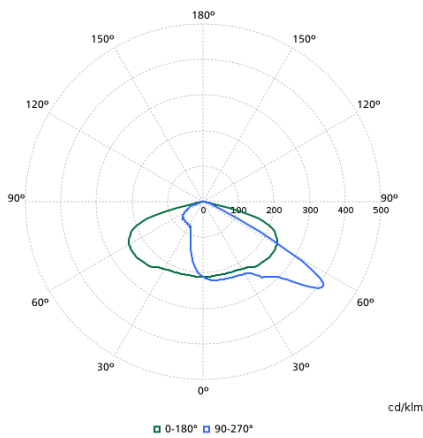
## Light Technical

Order Code	Full Product Name	Luminous Flux	Correlated Color Temperature (Nom)	Color rendering index (CRI)	Light source color	Luminaire light beam spread	Optic type outdoor
49759000	BDP267 LED59-4S/830 II DW50 DR CLO LS-6	4,536 lm	3000 K	80	830 warm white	12° - 29° × 152°	Distribution wide 50
49763700	BDP267 LED24-4S/740 II DM33 CLO SRT SRB	1,932 lm	4000 K	70	740 neutral white	4° - 58° × 149°	Distribution medium 33

## Operating and Electrical

Order Code	Full Product Name	Power Consumption
49759000	BDP267 LED59-4S/830 II DW50 DR CLO LS-6	43.5 W
49763700	BDP267 LED24-4S/740 II DM33 CLO SRT SRB	15.8 W

## Polar normal diagrams



BDP265I - 912300024204