



TownTune Asymmetric - Extending the home feel onto the street

Designed to enhance existing and scalable urban spaces, the TownTune family offers all the latest lighting innovations in terms of performance, quality of light and connectivity. The family consists of four solutions: a Central Post Top (CPT), an Asymmetric Spigot Post Top / Side Entry version (ASY), a version with an extending Lyre post top bracket (Lyre), and a Central Post Top with a Conical Comfort Bowl (CCB). Each TownTune luminaire can be customized with a choice of different shapes on top of the housing, plus there's the option to add a decorative ring, which comes in two colors (excluding CCB). Design options that enable you to create your very own lighting signature and bring a distinctive identity to districts and cities. In addition, every luminaire in the TownTune family is uniquely identifiable, thanks to the Signify Service tag app. By simply scanning a QR code, placed inside the door of the mast or directly on the luminaire, you can instantly access the configuration of the luminaire.

This makes maintenance and programming operations faster and easier and enables you to create your digital library of lighting assets and spare parts. TownTune also uses the LEDGINE-O lighting platform, ensuring you always have the right amount and direction of light on your street. Furthermore, thanks to being system ready (SR), TownTune is also future proof. A solution that's ready to be paired with both standalone and advanced control and lighting software applications such as Interact City.

Benefits

- LEDGINE-O platform for great performance, choice color temperatures and light distributions
- Optimized Total Cost of Ownership (L-Tune for flux tuning, standalone controls e.g., LumiStep, Dynadimmer, CLO (Constant Light output), LineSwitch)
- Ready to pair with advanced systems and software applications e.g., Interact City
- Long lifetime: 100,000 hours @L85 and higher
- Easy access to gear, vandal resistant (IK10), high ingress protection (IP66)

Applications

- Urban and residential areas
- Cycle paths, footpaths and pedestrian crossings

Versions

TownTune ASY DR BDP266

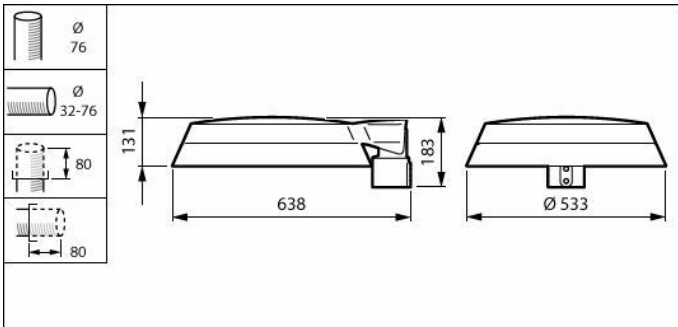


- City centers and squares
- Car parks

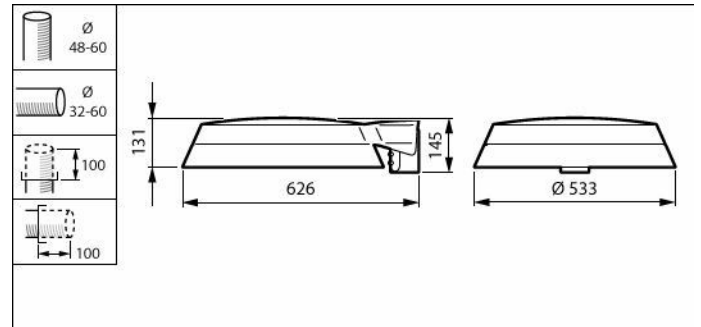
Features

- Simple design for easy integration into urban spaces, wide range of accessories for customization
- Suitable for new and retrofit installations
- Range of lumen packages (1200 to 12000 lm) and CCTs (2200K, 2700K, 3000K, 4000K)
- Dedicated bowl for visual comfort and comfortable lighting experiences
- Service tag for easy installation and maintenance.

Dimensional drawing



BDP266, TownTune asymmetric with decorative ring



BDP266, TownTune asymmetric with decorative ring

Product details



TownTune ASY BDP265



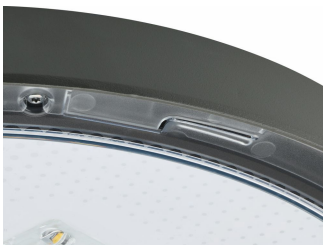
TownTune ASY BDP265



TownTune ASY BDP265



TownTune ASY BDP265



TownTune ASY DR BDP266



TownTune ASY BDP265

General Information

Light source replaceable	Yes
Number of gear units	1 unit
Driver included	Yes
Service tag	Yes

Light Technical

Upward light output ratio	0
Correlated Color Temperature (Nom)	4000 K
Color rendering index (CRI)	70
Light source color	740 neutral white

Operating and Electrical

Surge Protection (Common/Differential)	Standard surge protection level
--	---------------------------------

Controls and Dimming

Dimmable	Yes
Maximum dim level	10%

Mechanical and Housing

Housing Color	Gray
Ingress protection code	IP66 [Dust penetration-protected, jet-proof]
Mech. impact protection code	IK09 [10 J]
Standard tilt angle posttop	-
Standard tilt angle side entry	0°
Optical cover type	Polycarbonate bowl/cover UV-resistant

Approval and Application

Flammability mark	For mounting on normally flammable surfaces
CE mark	Yes

Over Time Performance (IEC Compliant)

Driver failure rate at 5000 h	0.5 %
-------------------------------	-------

Product Data

Product family code	BDP266 [TOWNTUNE ASYMMETRIC DR]
---------------------	---------------------------------

General Information

Order Code	Full Product Name	Lamp family code
49758300	BDP266 LED50-4S/740 DS50 DDF2 76A	LED50
49762000	BDP266 LED109-4S/740 II DM10 CLO SRT SRB	LED109

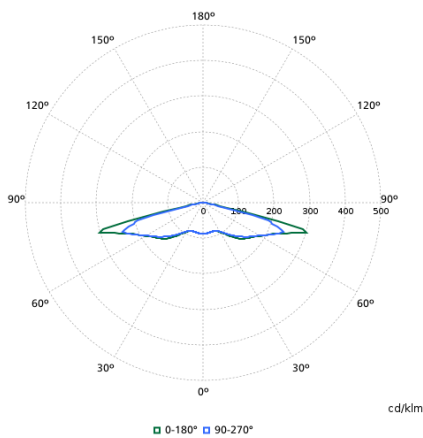
Light Technical

Order Code	Full Product Name	Luminous Flux	Luminaire light beam spread	Optic type outdoor
49758300	BDP266 LED50-4S/740 DS50 DDF2 76A	4,050 lm	152° x 155°	Distribution symmetrical 50
49762000	BDP266 LED109-4S/740 II DM10 CLO SRT SRB	8,610 lm	12° - 76° x 157°	Distribution medium 10

Operating and Electrical

Order Code	Full Product Name	Power Consumption
49758300	BDP266 LED50-4S/740 DS50 DDF2 76A	29.5 W
49762000	BDP266 LED109-4S/740 II DM10 CLO SRT SRB	63 W

Polar normal diagrams



BDP265I - 912300024198