

TownTune Asymmetric - Extending the home feel onto the street

Designed to enhance existing and scalable urban spaces, the TownTune family offers all the latest lighting innovations in terms of performance, quality of light and connectivity. The family consists of four solutions: a Central Post Top (CPT), an Asymmetric Spigot Post Top / Side Entry version (ASY), a version with an extending Lyre post top bracket (Lyre), and a Central Post Top with a Conical Comfort Bowl (CCB). Each TownTune luminaire can be customized with a choice of different shapes on top of the housing, plus there's the option to add a decorative ring, which comes in two colors (excluding CCB). Design options that enable you to create your very own lighting signature and bring a distinctive identity to districts and cities. In addition, every luminaire in the TownTune family is uniquely identifiable, thanks to the Signify Service tag app. By simply scanning a QR code, placed inside the door of the mast or directly on the luminaire, you can instantly access the configuration of the luminaire.

This makes maintenance and programming operations faster and easier and enables you to create your digital library of lighting assets and spare parts. TownTune also uses the LEDGINE-O lighting platform, ensuring you always have the right amount and direction of light on your street. Furthermore, thanks to being system ready (SR), TownTune is also future proof. A solution that's ready to be paired with both standalone and advanced control and lighting software applications such as Interact City.

Benefits

- LEDGINE-O platform for great performance, choice color temperatures and light distributions
- Optimized Total Cost of Ownership (L-Tune for flux tuning, standalone controls e.g., LumiStep, Dynadimmer, CLO (Constant Light output), LineSwitch)
- Ready to pair with advanced systems and software applications e.g., Interact City
- Long lifetime: 100,000 hours @L85 and higher
- Easy access to gear, vandal resistant (IK10), high ingress protection (IP66)

Applications

- Urban and residential areas
- Cycle paths, footpaths, and pedestrian crossings

Versions

TownTune ASY BDP265

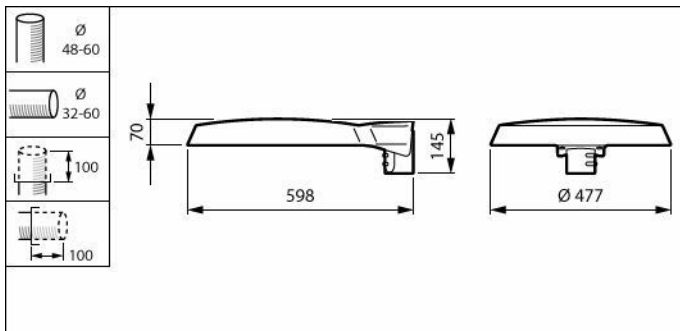


- City centers and squares
- Car parks

Features

- Simple design for easy integration into urban spaces, wide range of accessories for customization
- Suitable for new and retrofit installations
- Range of lumen packages (1200 to 12000 lm) and CCTs (2200K, 2700K, 3000K, 4000K). Dark Sky Approved with 3000K CCT or warmer.
- Dedicated bowl for visual comfort and comfortable lighting experiences
- Service tag for easy installation and maintenance.

Dimensional drawing



TOWNTUNE ASYMMETRIC - LED module 9400 lm - LED - 740 neutral white - Power supply unit with DALI and SystemReady interface - 230 to 240 V - 50 to 60 Hz - Safety class I - Distribution medium 70 - Polycarbonate bowl/cover UV-resistant - Dark gray - Philips standard surge protection level - - - Universal for diameter 48 to 60 mm adjustable

General Information

Light source replaceable	Yes
Number of gear units	1 unit
Driver included	Yes
Service tag	Yes

Light Technical

Upward light output ratio	0
Correlated Color Temperature (Nom)	4000 K
Color rendering index (CRI)	70
Light source color	740 neutral white

Operating and Electrical

Surge Protection (Common/Differential)	Standard surge protection level
--	---------------------------------

Controls and Dimming

Dimmable	Yes
Maximum dim level	10%

Mechanical and Housing

Housing Color	Gray
Ingress protection code	IP66 [Dust penetration-protected, jet-proof]
Mech. impact protection code	IK09 [10 J]
Standard tilt angle posttop	-
Standard tilt angle side entry	0°
Optical cover type	Polycarbonate bowl/cover UV-resistant

Approval and Application

Flammability mark	For mounting on normally flammable surfaces
CE mark	Yes

Over Time Performance (IEC Compliant)

Driver failure rate at 5000 h	0.5 %
-------------------------------	-------

General Information

Order Code	Full Product Name	Lamp family code
912300024485	BDP265 LED35/740 II DM11 CLO 6MFQQ 62S	LED35
912300024894	BDP265 LED94-4S/740 SR DM70 DGRMSP P7SRB	LED94

Light Technical

Order Code	Full Product Name	Luminous Flux	Luminaire light beam spread	Optic type outdoor
912300024485	BDP265 LED35/740 II DM11 CLO 6MFQQ 62S	2,924 lm	76° x 74°	Distribution medium 11
912300024894	BDP265 LED94-4S/740 SR DM70 DGRMSP P7SRB	7,802 lm	120° x 120°	Distribution medium 70

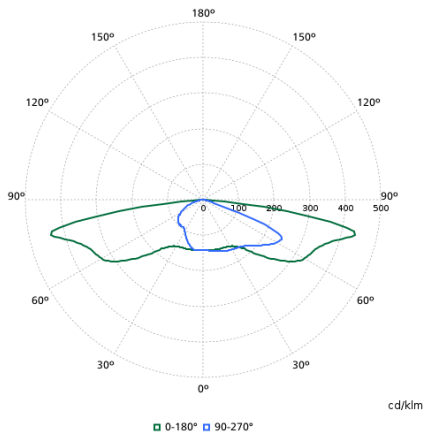
Operating and Electrical

Order Code	Full Product Name	Power Consumption
912300024485	BDP265 LED35/740 II DM11 CLO 6MFQQ 62S	21 W
912300024894	BDP265 LED94-4S/740 SR DM70 DGRMSP P7SRB	56 W

Product Data

Order Code	Full Product Name	Product family code
912300024485	BDP265 LED35/740 II DM11 CLO 6MFQQ 62S	BDP266
912300024894	BDP265 LED94-4S/740 SR DM70 DGRMSP P7SRB	BDP265

Polar normal diagrams



BDP265I - 912300024894