

TownTune Asymmetric - Extending the home feel onto the street

Designed to enhance existing and scalable urban spaces, the TownTune family offers all the latest lighting innovations in terms of performance, quality of light and connectivity. The family consists of four solutions: a Central Post Top (CPT), an Asymmetric Spigot Post Top/Side Entry version (ASY), a version with an extending Lyre post top bracket (Lyre) and a Central Post Top with a Conical Comfort Bowl (CCB). Each TownTune luminaire can be customised with a choice of different shapes on top of the housing, plus there's the option to add a decorative ring, which comes in two colours (excluding CCB). Design options that enable you to create your very own lighting signature and bring a distinctive identity to districts and cities. In addition, every luminaire in the TownTune family is uniquely identifiable, thanks to the Signify Service tag app. By simply scanning a QR code, placed inside the door of the mast or directly on the luminaire, you can instantly access the configuration of the luminaire.

This makes maintenance and programming operations faster and easier and enables you to create your digital library of lighting assets and spare parts. TownTune also uses the LEDGINE-O lighting platform, ensuring you always have the right amount and direction of light on your street. Furthermore, thanks to being system ready (SR), TownTune is also future proof. A solution that's ready to be paired with both standalone and advanced control and lighting software applications such as Interact City.

Benefits

- LEDGINE-O platform for great performance, choice colour temperatures and light distributions
- Optimised Total Cost of Ownership (L-Tune for flux tuning, standalone controls e.g. LumiStep, Dynadimmer, CLO (Constant Light output), LineSwitch)
- Ready to pair with advanced systems and software applications e.g. Interact City
- Long lifetime: 100,000 hours @L85 and higher
- Easy access to gear, vandal-resistant (IK10), high ingress protection (IP66)

Applications

- Urban and residential areas
- Cycle paths, footpaths and pedestrian crossings

Versions

TownTune ASY BDP265

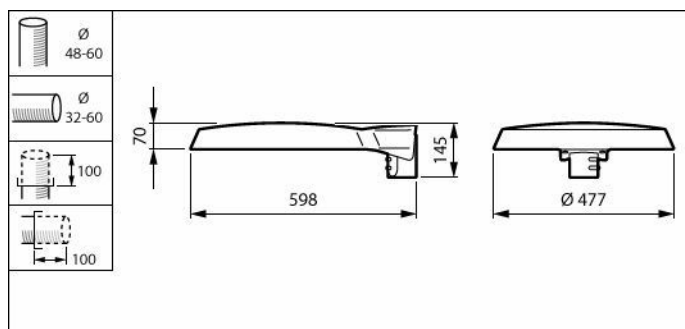


- City centers and squares
- Car parks

Features

- Simple design for easy integration into urban spaces, wide range of accessories for customisation
- Suitable for new and retrofit installations
- Range of lumen packages (1,200 to 12,000 lm) and CCTs (2,200 K, 2,700 K, 3,000 K, 4,000 K). Dark Sky Approved with 3,000 K CCT or warmer.
- Dedicated bowl for visual comfort and comfortable lighting experiences
- Service tag for easy installation and maintenance.

Dimensional drawing



BDP265 LED40-4S/830 DM50 DDF3 48-4S/60A

Product details



TownTune ASY BDP265



TownTune ASY BDP265



TownTune ASY BDP265



TownTune ASY BDP265



TownTune ASY DR BDP266



TownTune ASY BDP265

General Information

Lamp family code	LED40 [LED module 4000 lm]
Light source replaceable	Yes
Number of gear units	Unit
Driver included	Yes
Service Tag	Yes

Light Technical

Upwards light output ratio	0
Luminous Flux	3,200 lm
Correlated Colour Temperature (Nom)	3000 K
Colour rendering index (CRI)	80
Light source colour	830 warm white
Luminaire light beam spread	6° – 79° × 154°
Optic type outdoor	Distribution medium 50

Operating and Electrical

Power Consumption	31.5 W
Surge Protection (Common/Differential)	Standard surge protection level

Controls and Dimming

Dimmable	Yes
Maximum dim level	10%

Mechanical and Housing

Housing Colour	Grey
Ingress protection code	IP66 [Dust penetration-protected, jet-proof]
Mech. impact protection code	IK09 [10 J]
Standard tilt angle post-top	-
Standard tilt angle side entry	0°
Optical cover type	Polycarbonate bowl/cover UV-resistant

Approval and Application

Flammability mark	For mounting on normally flammable surfaces
CE mark	Yes

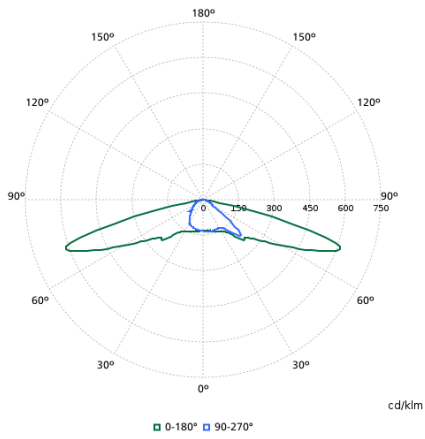
Over Time Performance (IEC Compliant)

Driver failure rate at 5,000 hours	0.5 %
------------------------------------	-------

Product Data

Product family code	BDP265 [TOWNTUNE ASYMMETRIC]
---------------------	------------------------------

Polar normal diagrams



BDP265I - 912300024197