

TownTune Asymmetric - Extending the home feel onto the street

Designed to enhance existing and scalable urban spaces, the TownTune family offers all the latest lighting innovations in terms of performance, quality of light and connectivity. The family consists of four solutions: a Central Post Top (CPT), an Asymmetric Spigot Post Top / Side Entry version (ASY), a version with an extending Lyre post top bracket (Lyre), and a Central Post Top with a Conical Comfort Bowl (CCB). Each TownTune luminaire can be customized with a choice of different shapes on top of the housing, plus there's the option to add a decorative ring, which comes in two colors (excluding CCB). Design options that enable you to create your very own lighting signature and bring a distinctive identity to districts and cities. In addition, every luminaire in the TownTune family is uniquely identifiable, thanks to the Signify Service tag app. By simply scanning a QR code, placed inside the door of the mast or directly on the luminaire, you can instantly access the configuration of the luminaire.

This makes maintenance and programming operations faster and easier and enables you to create your digital library of lighting assets and spare parts. TownTune also uses the LEDGINE-O lighting platform, ensuring you always have the right amount and direction of light on your street. Furthermore, thanks to being system ready (SR), TownTune is also future proof. A solution that's ready to be paired with both standalone and advanced control and lighting software applications such as Interact City.

Benefits

- LEDGINE-O platform for great performance, choice color temperatures and light distributions
- Optimized Total Cost of Ownership (L-Tune for flux tuning, standalone controls e.g., LumiStep, Dynadimmer, CLO (Constant Light output), LineSwitch)
- Ready to pair with advanced systems and software applications e.g., Interact City
- Long lifetime: 100,000 hours @L85 and higher
- Easy access to gear, vandal resistant (IK10), high ingress protection (IP66)

Applications

- Urban and residential areas
- Cycle paths, footpaths, and pedestrian crossings

Versions

BDP265, TownTune
Asymmetric Ral 7035



TownTune ASY BDP265

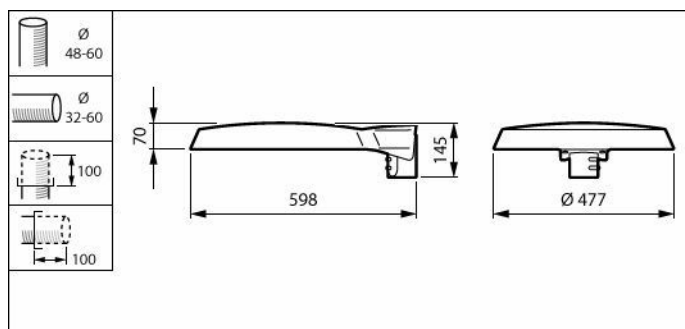


- City centers and squares
- Car parks

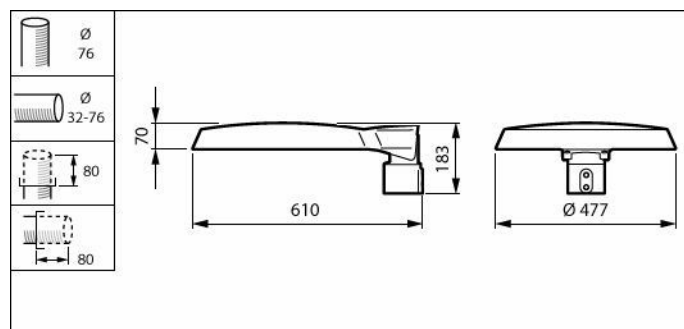
Features

- Simple design for easy integration into urban spaces, wide range of accessories for customization
- Suitable for new and retrofit installations
- Range of lumen packages (1200 to 12000 lm) and CCTs (2200K, 2700K, 3000K, 4000K). Dark Sky Approved with 3000K CCT or warmer.
- Dedicated bowl for visual comfort and comfortable lighting experiences
- Service tag for easy installation and maintenance.

Dimensional drawing



BDP265, TownTune asymmetric



BDP265, TownTune asymmetric

Product details



TownTune ASY BDP265



TownTune ASY BDP265



TownTune ASY BDP265



TownTune ASY BDP265



TownTune ASY DR BDP266



TownTune ASY BDP265

General Information

Light source replaceable	Yes
Number of gear units	1 unit
Driver included	Yes
Service tag	Yes

Light Technical

Upward light output ratio	0
---------------------------	---

Operating and Electrical

Surge Protection (Common/Differential) Standard surge protection level

Controls and Dimming

Maximum dim level 10%

Mechanical and Housing

Housing Color Gray
Ingress protection code IP66 [Dust penetration-protected, jet-proof]
Mech. impact protection code IK09 [10 J]
Standard tilt angle posttop -
Standard tilt angle side entry 0°
Optical cover type Polycarbonate bowl/cover UV-resistant

Approval and Application

Flammability mark For mounting on normally flammable surfaces
CE mark Yes

Over Time Performance (IEC Compliant)

Driver failure rate at 5000 h 0.5 %

General Information

Order Code	Full Product Name	Lamp family code
88446800	BDP265 LED35/830 II DM10 CLO 7035 MSP 5M	LED35
49757600	BDP265 LED40-4S/830 DM50 DDF3 48-4S/60A	LED40
49761300	BDP265 LED120-4S/740 DN10 CLO SRT SRB 76	LED120
88195500	BDP265 LED84-4S/830 II DM10 48/60A	LED84
88196200	BDP265 LED94-4S/830 II DM10 48/60A	LED94
88657800	BDP265 LED50-4S/830 II DM10 48/60A	LED50
88752000	BDP265 LED44-4S/830 II DM10 48/60A	LED44
21547400	BDP265 LED94-4S/740 SR DX50 DGRMSP P7SRB	LED94
21549800	BDP265 LED94-4S/830 SR DS50 DGRMSP P7SRB	LED94

Light Technical

Order Code	Full Product Name	Luminous Flux	Correlated Color Temperature (Nom)	Color rendering index (CRI)	Light source color	Luminaire light beam spread	Optic type outdoor
88446800	BDP265 LED35/830 II DM10 CLO 7035 MSP 5M	2,856 lm	3000 K	80	830 warm white	77° - 11° x 156°	Distribution medium 10
49757600	BDP265 LED40-4S/830 DM50 DDF3 48-4S/60A	3,200 lm	3000 K	80	830 warm white	6° - 79° x 154°	Distribution medium 50
49761300	BDP265 LED120-4S/740 DN10 CLO SRT SRB 76	9,200 lm	4000 K	70	740 neutral white	12° - 59° x 158°	Distribution narrow 10
88195500	BDP265 LED84-4S/830 II DM10 48/60A	6,888 lm	3000 K	80	830 warm white	77° - 11° x 156°	Distribution medium 10
88196200	BDP265 LED94-4S/830 II DM10 48/60A	7,614 lm	3000 K	80	830 warm white	77° - 11° x 156°	Distribution medium 10
88657800	BDP265 LED50-4S/830 II DM10 48/60A	4,100 lm	3000 K	80	830 warm white	77° - 11° x 156°	Distribution medium 10
88752000	BDP265 LED44-4S/830 II DM10 48/60A	3,652 lm	3000 K	80	830 warm white	77° - 11° x 156°	Distribution medium 10
21547400	BDP265 LED94-4S/740 SR DX50 DGRMSP P7SRB	7,520 lm	4000 K	70	740 neutral white	17° - 5° x 132°	Distribution extra wide 50
21549800	BDP265 LED94-4S/830 SR DS50 DGRMSP P7SRB	7,426 lm	3000 K	80	830 warm white	152° x 155°	Distribution symmetrical 50

Operating and Electrical

Order Code	Full Product Name	Power Consumption
88446800	BDP265 LED35/830 II DM10 CLO 7035 MSP 5M	26.5 W
49757600	BDP265 LED40-4S/830 DM50 DDF3 48-4S/60A	31.5 W
49761300	BDP265 LED120-4S/740 DN10 CLO SRT SRB 76	69 W
88195500	BDP265 LED84-4S/830 II DM10 48/60A	64 W
88196200	BDP265 LED94-4S/830 II DM10 48/60A	72 W
88657800	BDP265 LED50-4S/830 II DM10 48/60A	40 W
88752000	BDP265 LED44-4S/830 II DM10 48/60A	35 W
21547400	BDP265 LED94-4S/740 SR DX50 DGRMSP P7SRB	56 W
21549800	BDP265 LED94-4S/830 SR DS50 DGRMSP P7SRB	73 W

Controls and Dimming

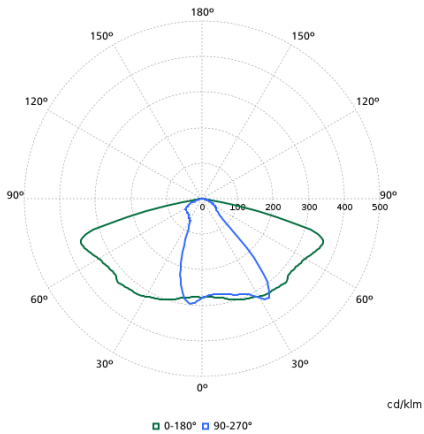
Order Code	Full Product Name	Dimmable
88446800	BDP265 LED35/830 II DM10 CLO 7035 MSP 5M	Yes
49757600	BDP265 LED40-4S/830 DM50 DDF3 48-4S/60A	Yes
49761300	BDP265 LED120-4S/740 DN10 CLO SRT SRB 76	Yes
88195500	BDP265 LED84-4S/830 II DM10 48/60A	No
88196200	BDP265 LED94-4S/830 II DM10 48/60A	No

Order Code	Full Product Name	Dimmable
88657800	BDP265 LED50-4S/830 II DM10 48/60A	No
88752000	BDP265 LED44-4S/830 II DM10 48/60A	No
21547400	BDP265 LED94-4S/740 SR DX50 DGRMSP P7SRB	Yes
21549800	BDP265 LED94-4S/830 SR DS50 DGRMSP P7SRB	Yes

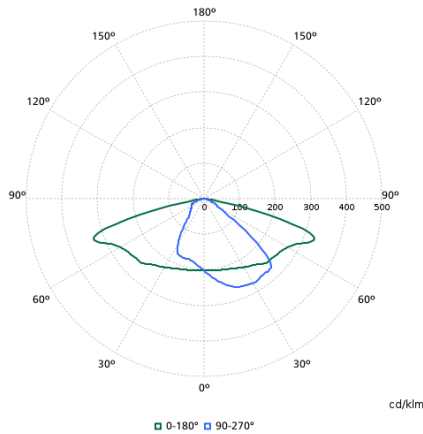
Product Data

Order Code	Full Product Name	Product family code
88446800	BDP265 LED35/830 II DM10 CLO 7035 MSP 5M	BDP266
49757600	BDP265 LED40-4S/830 DM50 DDF3 48-4S/60A	BDP265
49761300	BDP265 LED120-4S/740 DN10 CLO SRT SRB 76	BDP265
88195500	BDP265 LED84-4S/830 II DM10 48/60A	BDP265
88196200	BDP265 LED94-4S/830 II DM10 48/60A	BDP265
88657800	BDP265 LED50-4S/830 II DM10 48/60A	BDP265
88752000	BDP265 LED44-4S/830 II DM10 48/60A	BDP265
21547400	BDP265 LED94-4S/740 SR DX50 DGRMSP P7SRB	BDP265
21549800	BDP265 LED94-4S/830 SR DS50 DGRMSP P7SRB	BDP265

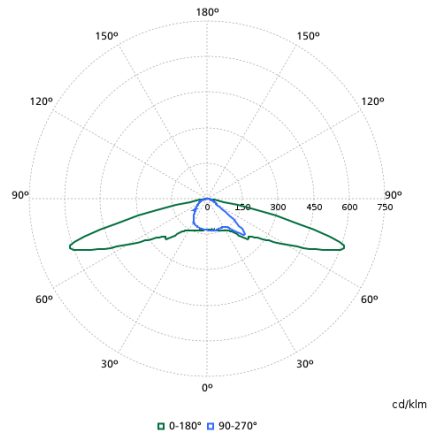
Polar normal diagrams



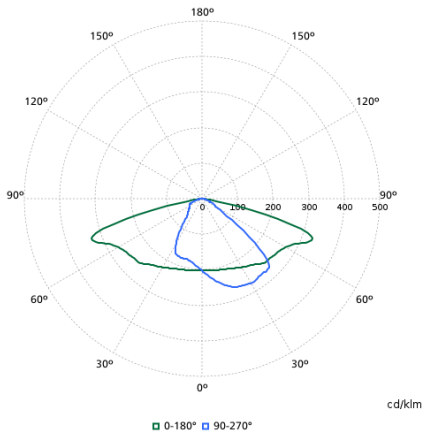
BDP265I - 912300024202



BDP265I - 912300024476



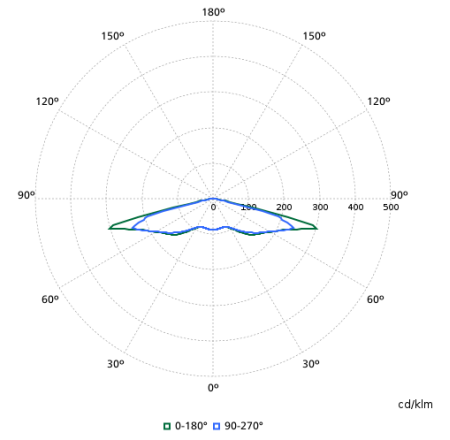
BDP265I - 912300024197



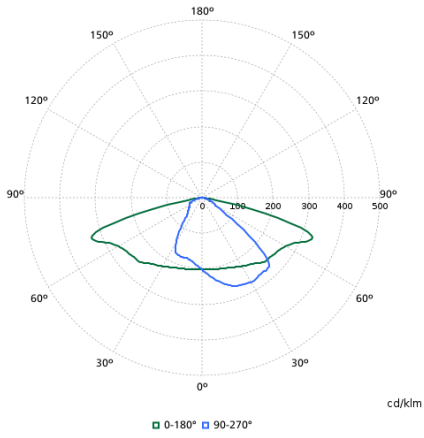
BDP265I - 912300024454



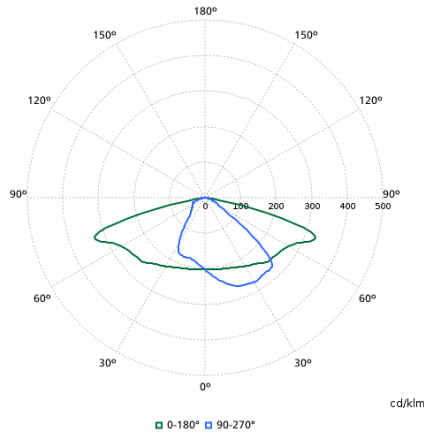
BDP265I - 912300024486



BDP265I - 912300024898



BDP265I - 912300024455



BDP265I - 912300024503