



# TownGuide Performer – flexible, modern designs for every application need

## TownGuide Performer

The TownGuide Performer family consists of six recognisable, yet modern shapes: Flat Cone, Bowl, Classic Cone, Classic T, T and Tzero. Each luminaire has the option of a clear (PCC), translucent (PCTR) or frosted (PCF) bowl (except Tzero, which is only available with a clear bowl). With an extensive range of lumen packages, neutral white or warm white LED light sources, and a range of dedicated optics for lower mounting heights, it's easy to select the version that best suits the specific requirements of your project. All this combined with a long life expectancy of 100,000 operating hours. In addition, TownGuide Performer has a variety of control system options that can make this luminaire an integral part of smart energy-reduction programmes. This includes LumiStep, DynaDimmer and LineSwitch stand-alone dim control, and Coded Mains group control, right up to seamless remote connectivity with Interact lighting management software. Installation is easy. Thanks to the bayonet whistle connector with integrated gland located in the spigot, there's no need to open the luminaire for installation. The Signify Service tag app offers direct access to all relevant data, ensuring maintenance is easy too. We have made every effort to make the Total Cost of Ownership (TCO) of the luminaire as attractive as possible. And as TownGuide Performer is a dedicated LED luminaire, compatible with a variety of control systems, there are significant energy and maintenance cost savings compared with conventional lighting.

# TownGuide Performer

## Benefits

- Choice of LED light sources, light colours (2,700 K, 3,000 K, 4,000 K) and optics
- Significant energy and carbon savings compared to HPL mercury, SON-T and PL-L compact fluorescent lamps (up to 80% with CLO and/or dimming options)
- Minimum total cost of ownership
- Long lifetime: 100,000 hours from L80 up to L98 (depending on configuration and light colour)
- Easy installation: no need to open luminaire with bayonet whistle connector

## Features

- Six designs that blend in with and enhance their surroundings
- New installations or one-to-one replacements
- Dedicated lumen packages (1,200 to 12,000 lm)
- 3 bowl finishes: clear (highest performance), frosted (smooth atmosphere), translucent (enhanced visual comfort)
- 5-year standard warranty, extended warranties or lifecycle services available
- Service tag for easy installation and maintenance.

## Application

- Residential areas: residential streets, cycle paths and footpaths, roundabouts, squares, parks and playgrounds, parking areas
- City centres: side streets, squares, parks and playgrounds, cycle paths and footpaths, parking areas, roundabouts, shopping and pedestrian areas
- Area and Transportation: industrial areas, parking areas, petrol stations, airports, harbours, public transport areas
- Sports: parking areas, connecting footpaths

## Versions

OPPR BDP100i 0001

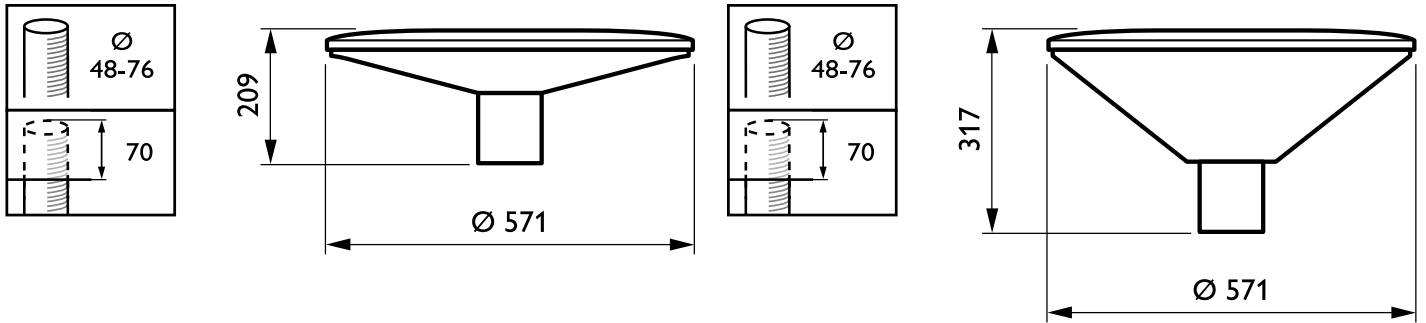


BDP102 TownGuide Performer  
Classic cone, clear



# TownGuide Performer

## Dimensional drawing



## Product details



TownGuide\_Performe-  
BDP100\_105-DPP.TIF

# TownGuide Performer

General Information	
Driver included	Yes
Light source replaceable	Yes
Number of gear units	Unit
Service Tag	Yes
Light Technical	
Light source colour	830 warm white
Correlated Colour Temperature (Nom)	3000 K
Colour rendering index (CRI)	80
Upwards light output ratio	3
Operating and Electrical	
Surge Protection (Common/Differential)	Surge protection level until 6 kV differential mode and 6 kV common mode
Mechanical and Housing	
Mech. impact protection code	IK10
Ingress protection code	IP66
Standard tilt angle side entry	-
Standard tilt angle post-top	0°
Approval and Application	
CE mark	Yes
Flammability mark	-

## General Information

Order Code	Full Product Name	Lamp family code
910925866289	BDP100 LED70/830 II DW PCC GR 62P	LED70
910925868095	BDP100 LED40/830 DS PCC ALU 76P	LED40
910500991021	BDP102 LED40/830 II DW PCC SI CLO-DDF1 6	LED40

## Light Technical

Order Code	Full Product Name	Luminaire		Number of light sources	Optic type outdoor
		light beam spread	Luminous Flux		
910925866289	BDP100 LED70/830 II DW PCC GR 62P	50° x 70°	5,250 lm	-	Distribution wide
910925868095	BDP100 LED40/830 DS PCC ALU 76P	75°	3,080 lm	-	Distribution symmetrical

Order Code	Full Product Name	Luminaire		Number of light sources	Optic type outdoor
		light beam spread	Luminous Flux		
910500991021	BDP102 LED40/830 II DW PCC SI CLO-DDF1 6	50° x 70°	3,116 lm	4	Distribution wide

## Operating and Electrical

Order Code	Full Product Name	Power Consumption
910925866289	BDP100 LED70/830 II DW PCC GR 62P	56 W
910925868095	BDP100 LED40/830 DS PCC ALU 76P	32.5 W

Order Code	Full Product Name	Power Consumption
910500991021	BDP102 LED40/830 II DW PCC SI CLO-DDF1 6	32.5 W

## Controls and Dimming

Order Code	Full Product Name	Dimmable	Maximum dim level
910925866289	BDP100 LED70/830 II DW PCC GR 62P	No	Not applicable
910925868095	BDP100 LED40/830 DS PCC ALU 76P	No	Not applicable

# TownGuide Performer

Order Code	Full Product Name	Dimmable	Maximum dim level
910500991021	BDP102 LED40/830 II DW PCC SI CLO-DDF1 6	Yes	50%

## Mechanical and Housing

Order Code	Full Product Name	Optical cover type	Housing Colour
910925866289	BDP100 LED70/830 II DW PCC GR 62P	Polycarbonate bowl/cover clear	Grey
910925868095	BDP100 LED40/830 DS PCC ALU 76P	Polycarbonate bowl/cover frosted	Silver

Order Code	Full Product Name	Optical cover type	Housing Colour
910500991021	BDP102 LED40/830 II DW PCC SI CLO-DDF1 6	Polycarbonate bowl/cover clear	Silver

## Approval and Application

Order Code	Full Product Name	Glow-wire test
910925866289	BDP100 LED70/830 II DW PCC GR 62P	-
910925868095	BDP100 LED40/830 DS PCC ALU 76P	-

Order Code	Full Product Name	Glow-wire test
910500991021	BDP102 LED40/830 II DW PCC SI CLO-DDF1 6	Temperature 650 °C, duration 5 s

## Over Time Performance (IEC Compliant)

Order Code	Full Product Name	Driver failure rate at 5,000 hours
910925866289	BDP100 LED70/830 II DW PCC GR 62P	0.5 %
910925868095	BDP100 LED40/830 DS PCC ALU 76P	-

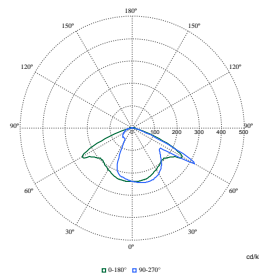
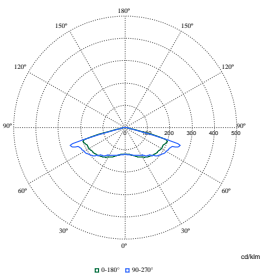
Order Code	Full Product Name	Driver failure rate at 5,000 hours
910500991021	BDP102 LED40/830 II DW PCC SI CLO-DDF1 6	0.5 %

## Product Data

Order Code	Full Product Name	Product family code
910925866289	BDP100 LED70/830 II DW PCC GR 62P	BDP100
910925868095	BDP100 LED40/830 DS PCC ALU 76P	BDP100

Order Code	Full Product Name	Product family code
910500991021	BDP102 LED40/830 II DW PCC SI CLO-DDF1 6	BDP102

## Polar Wide Diagrams



Polar Normal (separate) - BDP1001 - 910500991074

Polar Normal (separate) - BDP1001 - 910925866289

