



## TownGuide Performer

BDP100



# TownGuide Performer – flexible, modern designs for every application need

The TownGuide Performer family consists of six recognizable, yet modern shapes: Flat Cone, Bowl, Classic Cone, Classic T, T and Tzero. Each luminaire has the option of a clear (PCC), translucent (PCTR) or frosted (PCF) bowl (except Tzero, which is only available with a clear bowl). With an extensive range of lumen packages, neutral white or warm white LED light sources, and a range of dedicated optics for lower mounting heights, it's easy to select the version that best suits the specific requirements of your project. All this combined with a long life expectancy of 100,000 operating hours. In addition, TownGuide Performer has a variety of control system options that can make this luminaire an integral part of smart energy-reduction programs. This includes LumiStep, DynaDimmer, and LineSwitch stand-alone dim control, and Coded Mains group control, right up to seamless remote connectivity with Interact lighting management software. Installation is easy. Thanks to the bayonet whistle connector with integrated gland located in the spigot, there's no need to open the luminaire for installation. The Signify Service tag app offers direct access to all relevant data, ensuring maintenance is easy too. We have made every effort to make the Total Cost of Ownership (TCO) of the luminaire as attractive as possible. And as TownGuide Performer is a dedicated LED luminaire, compatible with a variety of control systems, there are significant energy and maintenance cost savings compared with conventional lighting.

## Benefits

- Choice of LED light sources, light colors (2700K, 3000K, 4000K) and optics
- Significant energy and carbon savings compared to HPL mercury, SON-T and PL-L compact fluorescent lamps (up to 80% with CLO and/or dimming options)
- Minimum Total Cost of Ownership
- Long lifetime: 100,000 hours from L80 up to L98 (depending on configuration and light color)
- Easy installation: no need to open luminaire with bayonet whistle connector

## Applications

- Residential areas: residential streets, cycle paths and footpaths, roundabouts, squares, parks and playgrounds, parking areas
- City centers: side streets, squares, parks and playgrounds, cycle paths and footpaths, parking areas, roundabouts, shopping and pedestrian areas
- Area and Transportation: industrial areas, parking areas, petrol stations, airports, harbors, public transport areas
- Sports: parking areas, connecting footpaths

## Features

- Six designs that blend in with, and enhance, their surroundings
- New installations or one-to-one replacements
- Dedicated lumen packages (1,200 to 12,000 lm)

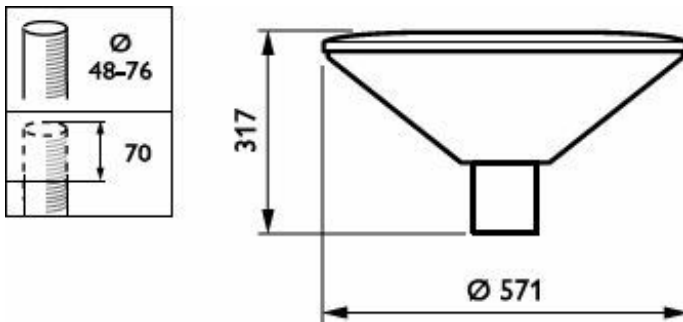
- 3 bowl finishes: clear (highest performance), frosted (smooth atmosphere), translucent (enhanced visual comfort)
- 5-year standard warranty, extended warranties or lifecycle services available
- Service tag for easy installation and maintenance.

## Versions



BDP102 TownGuide  
Performer Classic cone,  
clear

## Dimensional drawing



TOWNGUIDE PERF CLASSIC CONE - LED module 6000 lm  
- Distribution wide - Polycarbonate bowl/cover clear -  
LumiStep dimming 6 hours - Post-top for diameter 62  
mm

## Product details



TownGuide\_Performe-  
BDP100\_105-DPP.TIF

## General Information

Lamp family code	LED60 [LED module 6000 lm]
Light source replaceable	Yes
Number of gear units	1 unit
Driver included	Yes
Service tag	Yes

## Light Technical

Upward light output ratio	3
Luminous Flux	4,680 lm
Correlated Color Temperature (Nom)	4000 K
Color rendering index (CRI)	70
Number of light sources	4
Light source color	740 neutral white
Luminaire light beam spread	50° x 70°
Optic type outdoor	Distribution wide

## Operating and Electrical

Power Consumption	39 W
Surge Protection (Common/Differential)	Surge protection level until 6 kV differential mode and 6 kV common mode

## Controls and Dimming

Dimmable	Yes
Maximum dim level	50%

## Mechanical and Housing

Housing Color	Silver
Ingress protection code	IP66 [Dust penetration-protected, jet-proof]
Mech. impact protection code	IK10 [20 J vandal-resistant]
Standard tilt angle posttop	0°
Standard tilt angle side entry	-
Optical cover type	Polycarbonate bowl/cover clear

## Approval and Application

Glow-wire test	Temperature 650 °C, duration 5 s
Flammability mark	-
CE mark	Yes

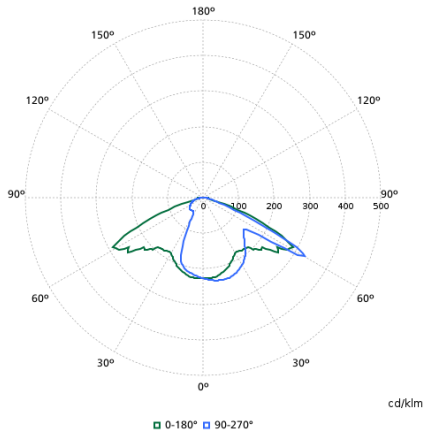
## Over Time Performance (IEC Compliant)

Driver failure rate at 5000 h 0.5 %

## Product Data

Product family code BDP102 [TOWNGUIDE PERFORMER CLASSIC CONE]

## Polar normal diagrams



BDP100I - 910500991082