



TownGuide Performer – flexible, modern designs for every application need

TownGuide Performer

The TownGuide Performer family consists of six recognizable, yet modern shapes: Flat Cone, Bowl, Classic Cone, Classic T, T and Tzero. Each luminaire has the option of a clear (PCC), translucent (PCTR) or frosted (PCF) bowl (except Tzero, which is only available with a clear bowl). With an extensive range of lumen packages, neutral white or warm white LED light sources, and a range of dedicated optics for lower mounting heights, it's easy to select the version that best suits the specific requirements of your project. All this combined with a long life expectancy of 100,000 operating hours. In addition, TownGuide Performer has a variety of control system options that can make this luminaire an integral part of smart energy-reduction programs. This includes LumiStep, DynaDimmer, and LineSwitch stand-alone dim control, and Coded Mains group control, right up to seamless remote connectivity with Interact lighting management software. Installation is easy. Thanks to the bayonet whistle connector with integrated gland located in the spigot, there's no need to open the luminaire for installation. The Signify Service tag app offers direct access to all relevant data, ensuring maintenance is easy too. We have made every effort to make the Total Cost of Ownership (TCO) of the luminaire as attractive as possible. And as TownGuide Performer is a dedicated LED luminaire, compatible with a variety of control systems, there are significant energy and maintenance cost savings compared with conventional lighting.

TownGuide Performer

Benefits

- Choice of LED light sources, light colors (2700K, 3000K, 4000K) and optics
- Significant energy and carbon savings compared to HPL mercury, SON-T and PL-L compact fluorescent lamps (up to 80% with CLO and/or dimming options)
- Minimum Total Cost of Ownership
- Long lifetime: 100,000 hours from L80 up to L98 (depending on configuration and light color)
- Easy installation: no need to open luminaire with bayonet whistle connector

Features

- Six designs that blend in with, and enhance, their surroundings
- New installations or one-to-one replacements
- Dedicated lumen packages (1,200 to 12,000 lm)
- 3 bowl finishes: clear (highest performance), frosted (smooth atmosphere), translucent (enhanced visual comfort)
- 5-year standard warranty, extended warranties or lifecycle services available
- Service tag for easy installation and maintenance.

Application

- Residential areas: residential streets, cycle paths and footpaths, roundabouts, squares, parks and playgrounds, parking areas
- City centers: side streets, squares, parks and playgrounds, cycle paths and footpaths, parking areas, roundabouts, shopping and pedestrian areas
- Area and Transportation: industrial areas, parking areas, petrol stations, airports, harbors, public transport areas
- Sports: parking areas, connecting footpaths

Versions

OPPR BDP100i 0003



BDP101 TownGuide Performer
Bowl, frosted



OPPR BDP100i 0005



BDP102 TownGuide Performer
Classic cone, clear



TownGuide Performer

Versions

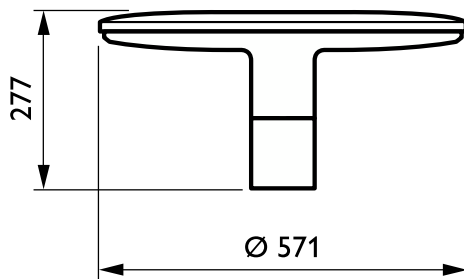
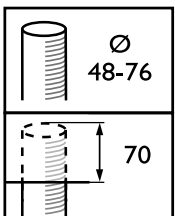
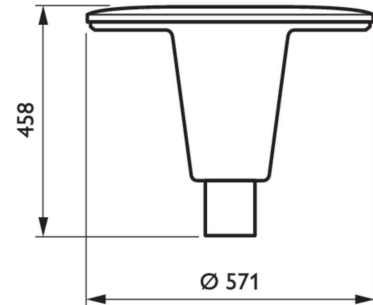
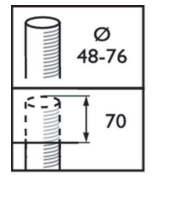
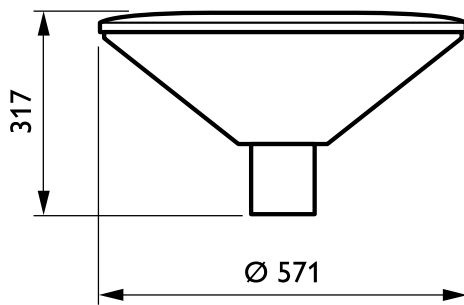
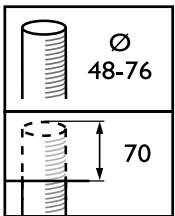
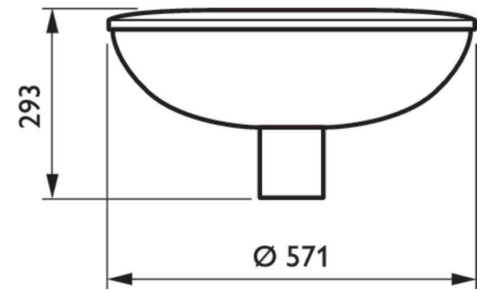
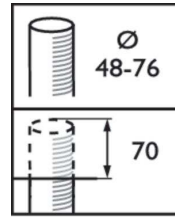
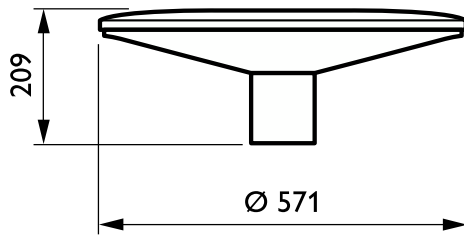
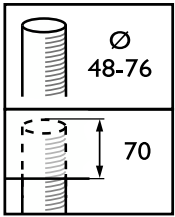
BDP104 TownGuide Performer T,
clear



BDP104 TownGuide Performer T,
frosted



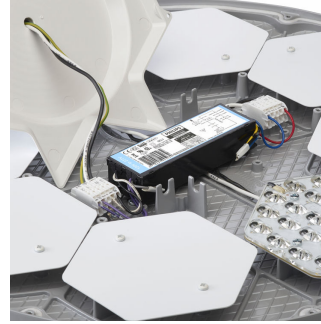
Dimensional drawing



TownGuide Performer

Product details

OPDP_BDP100i_0011-Detail
photo



OPDP_BDP100i_0001-Detail
photo

OPDP_BDP100i_0003-Detail
photo



OPDP_BDP100i_0007-Detail
photo



OPDP_BDP100i_0009-Detail
photo



TownGuide_Performe-
BDP100_105-DPP.TIF

TownGuide Performer

General Information

Driver included	Yes
Light source replaceable	Yes
Number of gear units	1 unit
Service tag	Yes

Mechanical and Housing

Housing Color	Silver
Mech. impact protection code	IK10
Ingress protection code	IP66
Standard tilt angle side entry	-
Standard tilt angle posttop	0°

Approval and Application

CE mark	Yes
Flammability mark	-
Glow-wire test	Temperature 650 °C, duration 5 s

Over Time Performance (IEC Compliant)

Driver failure rate at 5000 h	0.5 %
-------------------------------	-------

General Information

Order Code	Full Product Name	Lamp family code
90608700	BDP100 LED30/740 DN PCC SI CLO-LS-6 76P	LED30
90609400	BDP100 LED40/830 II DM PCC SI CLO-LS-6 6	LED40
91051000	BDP100 LED20/830 DW PCF SI CLO 62P	LED20
91054100	BDP100 LED50/830 DW PCF SI CLO 62P	LED50
91056500	BDP100 LED100/830 DW PCF SI CLO 62P	LED100
90614800	BDP101 LED60/830 II DS PCF SI CLO-DDF2 6	LED60
90613100	BDP101 LED60/830 II DM PCC SI CLO-DDF2 6	LED60
90620900	BDP102 LED40/830 II DW PCC SI CLO-DDF1 6	LED40
90622300	BDP102 LED50/830 II DS PCF SI CLO-DDF1 6	LED50
91067100	BDP102 LED20/830 DW PCF SI CLO 62P	LED20
91068800	BDP102 LED30/830 DW PCF SI CLO 62P	LED30
91069500	BDP102 LED35/830 DW PCF SI CLO 62P	LED35
91070100	BDP102 LED50/830 DW PCF SI CLO 62P	LED50
91071800	BDP102 LED70/830 DW PCF SI CLO 62P	LED70
91075600	BDP103 LED20/830 DW PCF SI CLO 62P	LED20
91077000	BDP103 LED35/830 DW PCF SI CLO 62P	LED35
91078700	BDP103 LED50/830 DW PCF SI CLO 62P	LED50
91081700	BDP103 LED120/830 DW PCF SI CLO 62P	LED120
90623000	BDP104 LED30/740 II DM PCC SI CLO-LS-8 6	LED30
91086200	BDP104 LED50/830 DW PCF SI CLO 62P	LED50

Light Technical (1/2)

Order Code	Full Product Name	Luminaire light beam spread	Light source color	Correlated Color Temperature (Nom)	Color rendering index (CRI)
90608700	BDP100 LED30/740 DN PCC SI CLO-LS-6 76P	32° x 29°	740 neutral white	4000 K	70
90609400	BDP100 LED40/830 II DM PCC SI CLO-LS-6 6	53° x 71°	830 warm white	3000 K	80
91051000	BDP100 LED20/830 DW PCF SI CLO 62P	50° x 70°	830 warm white	3000 K	80
91054100	BDP100 LED50/830 DW PCF SI CLO 62P	50° x 70°	830 warm white	3000 K	80
91056500	BDP100 LED100/830 DW PCF SI CLO 62P	50° x 70°	830 warm white	3000 K	80
90614800	BDP101 LED60/830 II DS PCF SI CLO-DDF2 6	75°	830 warm white	3000 K	80
90613100	BDP101 LED60/830 II DM PCC SI CLO-DDF2 6	53° x 71°	830 warm white	3000 K	80

Order Code	Full Product Name	Luminaire light beam spread	Light source color	Correlated Color Temperature (Nom)	Color rendering index (CRI)
90620900	BDP102 LED40/830 II DW PCC SI CLO-DDF1 6	50° x 70°	830 warm white	3000 K	80
90622300	BDP102 LED50/830 II DS PCF SI CLO-DDF1 6	75°	830 warm white	3000 K	80
91067100	BDP102 LED20/830 DW PCF SI CLO 62P	50° x 70°	830 warm white	3000 K	80
91068800	BDP102 LED30/830 DW PCF SI CLO 62P	50° x 70°	830 warm white	3000 K	80
91069500	BDP102 LED35/830 DW PCF SI CLO 62P	50° x 70°	830 warm white	3000 K	80
91070100	BDP102 LED50/830 DW PCF SI CLO 62P	50° x 70°	830 warm white	3000 K	80
91071800	BDP102 LED70/830 DW PCF SI CLO 62P	50° x 70°	830 warm white	3000 K	80

TownGuide Performer

Order Code	Full Product Name	Luminaire light beam spread	Light source color	Correlated Color Temperature (Nom)	Color rendering index (CRI)
91075600	BDP103 LED20/830 DW PCF SI CLO 62P	50° x 70°	830 warm white	3000 K	80
91077000	BDP103 LED35/830 DW PCF SI CLO 62P	50° x 70°	830 warm white	3000 K	80
91078700	BDP103 LED50/830 DW PCF SI CLO 62P	50° x 70°	830 warm white	3000 K	80

Order Code	Full Product Name	Luminaire light beam spread	Light source color	Correlated Color Temperature (Nom)	Color rendering index (CRI)
91081700	BDP103 LED120/830 DW PCF SI CLO 62P	50° x 70°	830 warm white	3000 K	80
90623000	BDP104 LED30/740 II DM PCC SI CLO-LS-8 6	53° x 71°	740 neutral white	4000 K	70
91086200	BDP104 LED50/830 DW PCF SI CLO 62P	50° x 70°	830 warm white	3000 K	80

Light Technical (2/2)

Order Code	Full Product Name	Luminous Flux	Number of light sources	Optic type outdoor	Upward light output ratio
90608700	BDP100 LED30/740 DN PCC SI CLO-LS-6 76P	2,291 lm	4	Distribution narrow	3
90609400	BDP100 LED40/830 II DM PCC SI CLO-LS-6 6	2,888 lm	4	Distribution medium	3
91051000	BDP100 LED20/830 DW PCF SI CLO 62P	1,160 lm	4	Distribution wide	3
91054100	BDP100 LED50/830 DW PCF SI CLO 62P	2,576 lm	6	Distribution wide	3
91056500	BDP100 LED100/830 DW PCF SI CLO 62P	4,240 lm	6	Distribution wide	3
90614800	BDP101 LED60/830 II DS PCF SI CLO-DDF2 6	2,300 lm	8	Distribution symmetrical	15
90613100	BDP101 LED60/830 II DM PCC SI CLO-DDF2 6	4,424 lm	8	Distribution medium	3
90620900	BDP102 LED40/830 II DW PCC SI CLO-DDF1 6	3,116 lm	4	Distribution wide	3
90622300	BDP102 LED50/830 II DS PCF SI CLO-DDF1 6	1,900 lm	4	Distribution symmetrical	10

Order Code	Full Product Name	Luminous Flux	Number of light sources	Optic type outdoor	Upward light output ratio
91067100	BDP102 LED20/830 DW PCF SI CLO 62P	1,200 lm	4	Distribution wide	10
91068800	BDP102 LED30/830 DW PCF SI CLO 62P	1,740 lm	4	Distribution wide	10
91069500	BDP102 LED35/830 DW PCF SI CLO 62P	1,947 lm	4	Distribution wide	10
91070100	BDP102 LED50/830 DW PCF SI CLO 62P	2,714 lm	6	Distribution wide	10
91071800	BDP102 LED70/830 DW PCF SI CLO 62P	3,584 lm	8	Distribution wide	10
91075600	BDP103 LED20/830 DW PCF SI CLO 62P	1,060 lm	4	Distribution wide	4
91077000	BDP103 LED35/830 DW PCF SI CLO 62P	1,716 lm	4	Distribution wide	4
91078700	BDP103 LED50/830 DW PCF SI CLO 62P	2,346 lm	6	Distribution wide	4
91081700	BDP103 LED120/830 DW PCF SI CLO 62P	4,800 lm	8	Distribution wide	4
90623000	BDP104 LED30/740 II DM PCC SI CLO-LS-8 6	2,204 lm	4	Distribution medium	3
91086200	BDP104 LED50/830 DW PCF SI CLO 62P	2,208 lm	6	Distribution wide	3

Operating and Electrical

Order Code	Full Product Name	Power Consumption	Surge Protection (Common/Differential)
90608700	BDP100 LED30/740 DN PCC SI CLO-LS-6 76P	19.6 W	Surge protection level until 6 kV differential mode and 6 kV common mode

Order Code	Full Product Name	Power Consumption	Surge Protection (Common/Differential)
90609400	BDP100 LED40/830 II DM PCC SI CLO-LS-6 6	32.5 W	Surge protection level until 6 kV differential mode and 6 kV common mode

TownGuide Performer

Order Code	Full Product Name	Power Consumption	Surge Protection (Common/Differential)
91051000	BDP100 LED20/830 DW PCF SI CLO 62P	15.8 W	Surge protection level until 4 kV differential mode and 4 kV common mode
91054100	BDP100 LED50/830 DW PCF SI CLO 62P	40 W	Surge protection level until 6 kV differential mode and 6 kV common mode
91056500	BDP100 LED100/830 DW PCF SI CLO 62P	74 W	Surge protection level until 6 kV differential mode and 6 kV common mode
90614800	BDP101 LED60/830 II DS PCF SI CLO-DDF2 6	40 W	Surge protection level until 6 kV differential mode and 6 kV common mode
90613100	BDP101 LED60/830 II DM PCC SI CLO-DDF2 6	46.5 W	Surge protection level until 6 kV differential mode and 6 kV common mode
90620900	BDP102 LED40/830 II DW PCC SI CLO-DDF1 6	32.5 W	Surge protection level until 6 kV differential mode and 6 kV common mode
90622300	BDP102 LED50/830 II DS PCF SI CLO-DDF1 6	32.5 W	Surge protection level until 6 kV differential mode and 6 kV common mode
91067100	BDP102 LED20/830 DW PCF SI CLO 62P	15.8 W	Surge protection level until 6 kV differential mode and 6 kV common mode
91068800	BDP102 LED30/830 DW PCF SI CLO 62P	23.5 W	Surge protection level until 6 kV differential mode and 6 kV common mode

Order Code	Full Product Name	Power Consumption	Surge Protection (Common/Differential)
91069500	BDP102 LED35/830 DW PCF SI CLO 62P	27 W	Surge protection level until 6 kV differential mode and 6 kV common mode
91070100	BDP102 LED50/830 DW PCF SI CLO 62P	40 W	Surge protection level until 6 kV differential mode and 6 kV common mode
91071800	BDP102 LED70/830 DW PCF SI CLO 62P	54 W	Surge protection level until 6 kV differential mode and 6 kV common mode
91075600	BDP103 LED20/830 DW PCF SI CLO 62P	15.8 W	Surge protection level until 6 kV differential mode and 6 kV common mode
91077000	BDP103 LED35/830 DW PCF SI CLO 62P	27 W	Surge protection level until 6 kV differential mode and 6 kV common mode
91078700	BDP103 LED50/830 DW PCF SI CLO 62P	40 W	Surge protection level until 6 kV differential mode and 6 kV common mode
91081700	BDP103 LED120/830 DW PCF SI CLO 62P	92 W	Surge protection level until 6 kV differential mode and 6 kV common mode
90623000	BDP104 LED30/740 II DM PCC SI CLO-LS-8 6	19.6 W	Surge protection level until 6 kV differential mode and 6 kV common mode
91086200	BDP104 LED50/830 DW PCF SI CLO 62P	40 W	Surge protection level until 6 kV differential mode and 6 kV common mode

Controls and Dimming

Order Code	Full Product Name	Dimmable	Maximum dim level
90608700	BDP100 LED30/740 DN PCC SI CLO-LS-6 76P	Yes	50%
90609400	BDP100 LED40/830 II DM PCC SI CLO-LS-6 6	Yes	50%
91051000	BDP100 LED20/830 DW PCF SI CLO 62P	No	Not applicable
91054100	BDP100 LED50/830 DW PCF SI CLO 62P	No	Not applicable
91056500	BDP100 LED100/830 DW PCF SI CLO 62P	No	Not applicable
90614800	BDP101 LED60/830 II DS PCF SI CLO-DDF2 6	Yes	50%
90613100	BDP101 LED60/830 II DM PCC SI CLO-DDF2 6	Yes	50%
90620900	BDP102 LED40/830 II DW PCC SI CLO-DDF1 6	Yes	50%
90622300	BDP102 LED50/830 II DS PCF SI CLO-DDF1 6	Yes	50%

Order Code	Full Product Name	Dimmable	Maximum dim level
91067100	BDP102 LED20/830 DW PCF SI CLO 62P	No	Not applicable
91068800	BDP102 LED30/830 DW PCF SI CLO 62P	No	Not applicable
91069500	BDP102 LED35/830 DW PCF SI CLO 62P	No	Not applicable
91070100	BDP102 LED50/830 DW PCF SI CLO 62P	No	Not applicable
91071800	BDP102 LED70/830 DW PCF SI CLO 62P	No	Not applicable
91075600	BDP103 LED20/830 DW PCF SI CLO 62P	No	Not applicable
91077000	BDP103 LED35/830 DW PCF SI CLO 62P	No	Not applicable
91078700	BDP103 LED50/830 DW PCF SI CLO 62P	No	Not applicable
91081700	BDP103 LED120/830 DW PCF SI CLO 62P	No	Not applicable
90623000	BDP104 LED30/740 II DM PCC SI CLO-LS-8 6	Yes	50%
91086200	BDP104 LED50/830 DW PCF SI CLO 62P	No	Not applicable

Mechanical and Housing

TownGuide Performer

Order Code	Full Product Name	Optical cover type
90608700	BDP100 LED30/740 DN PCC SI CLO-LS-6 76P	Polycarbonate bowl/cover clear
90609400	BDP100 LED40/830 II DM PCC SI CLO-LS-6 6	Polycarbonate bowl/cover clear
91051000	BDP100 LED20/830 DW PCF SI CLO 62P	Polycarbonate bowl/cover frosted
91054100	BDP100 LED50/830 DW PCF SI CLO 62P	Polycarbonate bowl/cover frosted
91056500	BDP100 LED100/830 DW PCF SI CLO 62P	Polycarbonate bowl/cover frosted
90614800	BDP101 LED60/830 II DS PCF SI CLO-DDF2 6	Polycarbonate bowl/cover frosted
90613100	BDP101 LED60/830 II DM PCC SI CLO-DDF2 6	Polycarbonate bowl/cover clear
90620900	BDP102 LED40/830 II DW PCC SI CLO-DDF1 6	Polycarbonate bowl/cover clear
90622300	BDP102 LED50/830 II DS PCF SI CLO-DDF1 6	Polycarbonate bowl/cover frosted
91067100	BDP102 LED20/830 DW PCF SI CLO 62P	Polycarbonate bowl/cover frosted

Order Code	Full Product Name	Optical cover type
91068800	BDP102 LED30/830 DW PCF SI CLO 62P	Polycarbonate bowl/cover frosted
91069500	BDP102 LED35/830 DW PCF SI CLO 62P	Polycarbonate bowl/cover frosted
91070100	BDP102 LED50/830 DW PCF SI CLO 62P	Polycarbonate bowl/cover frosted
91071800	BDP102 LED70/830 DW PCF SI CLO 62P	Polycarbonate bowl/cover frosted
91075600	BDP103 LED20/830 DW PCF SI CLO 62P	Polycarbonate bowl/cover frosted
91077000	BDP103 LED35/830 DW PCF SI CLO 62P	Polycarbonate bowl/cover frosted
91078700	BDP103 LED50/830 DW PCF SI CLO 62P	Polycarbonate bowl/cover frosted
91081700	BDP103 LED120/830 DW PCF SI CLO 62P	Polycarbonate bowl/cover frosted
90623000	BDP104 LED30/740 II DM PCC SI CLO-LS-8 6	Polycarbonate bowl/cover clear
91086200	BDP104 LED50/830 DW PCF SI CLO 62P	Polycarbonate bowl/cover frosted

Product Data

Order Code	Full Product Name	Product family code
90608700	BDP100 LED30/740 DN PCC SI CLO-LS-6 76P	BDP100
90609400	BDP100 LED40/830 II DM PCC SI CLO-LS-6 6	BDP100
91051000	BDP100 LED20/830 DW PCF SI CLO 62P	BDP100
91054100	BDP100 LED50/830 DW PCF SI CLO 62P	BDP100
91056500	BDP100 LED100/830 DW PCF SI CLO 62P	BDP100
90614800	BDP101 LED60/830 II DS PCF SI CLO-DDF2 6	BDP101
90613100	BDP101 LED60/830 II DM PCC SI CLO-DDF2 6	BDP101
90620900	BDP102 LED40/830 II DW PCC SI CLO-DDF1 6	BDP102
90622300	BDP102 LED50/830 II DS PCF SI CLO-DDF1 6	BDP102
91067100	BDP102 LED20/830 DW PCF SI CLO 62P	BDP102

Order Code	Full Product Name	Product family code
91068800	BDP102 LED30/830 DW PCF SI CLO 62P	BDP102
91069500	BDP102 LED35/830 DW PCF SI CLO 62P	BDP102
91070100	BDP102 LED50/830 DW PCF SI CLO 62P	BDP102
91071800	BDP102 LED70/830 DW PCF SI CLO 62P	BDP102
91075600	BDP103 LED20/830 DW PCF SI CLO 62P	BDP103
91077000	BDP103 LED35/830 DW PCF SI CLO 62P	BDP103
91078700	BDP103 LED50/830 DW PCF SI CLO 62P	BDP103
91081700	BDP103 LED120/830 DW PCF SI CLO 62P	BDP103
90623000	BDP104 LED30/740 II DM PCC SI CLO-LS-8 6	BDP104
91086200	BDP104 LED50/830 DW PCF SI CLO 62P	BDP104

