



# InstantFit (UL Type-A) T5 family of lamps is DLC listed and delivers even light output, proven energy savings, and a long average lifetime.

## InstantFit (UL Type-A) T5

The InstantFit TLED lamps provide hassle-free installation with simple lamp-for-lamp replacements. They deliver what we promise, with at least 40% energy savings, flicker-free performance, and the life you would expect. Other lamps claim compatibility but only InstantFit (UL Type-A) has been proven to work with over 200 ballasts and drivers, delivering even light output, with proven energy savings and a long average lifetime. End users will be delighted being under these comfortable and high quality InstantFit lamps with no visible flicker and optimized optics. Energy managers will enjoy the InstantFit lamps too as they can count the savings delivered by our lamps. To enjoy more energy savings, the InstantFit lamps can be paired with the Advance TLED drivers to create a Type C system.

### Benefits

- Minimize first-year costs
- Light quality and performance predictability providing consistent light output and no flicker which results in satisfied customers and no wasted time redoing a job.

# InstantFit (UL Type-A) T5

## Features

- InstantFit lamps work with over 200 ballasts and drivers, more than any other lamp so you know they will perform as expected and prevent rework.
- Proven over 40% energy savings compared to traditional fluorescent lighting
- Lifetime delivered: Average life rating of 50,000 hours

## Application

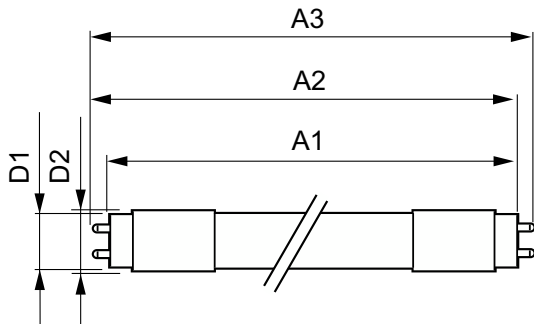
- Warehouses
- Manufacturing
- Universities

## Versions



LEDtube 1100mm 24W G5

## Dimensional drawing



Product	D1	D2	A1	A2	A3
11T5HE/34-830/IF14/G/DIM 10/1	15.3 mm	18.4 mm	847.8 mm	854.9 mm	862 mm
11T5HE/34-835/IF14/G/DIM 10/1	15.3 mm	18.4 mm	847.8 mm	854.9 mm	862 mm
11T5HE/34-840/IF15/G/DIM 10/1	15.3 mm	18.4 mm	847.8 mm	854.9 mm	862 mm
11T5HE/34-850/IF15/G/DIM 10/1	15.3 mm	18.4 mm	847.8 mm	854.9 mm	862 mm
14T5HE/46-830/IF20/G/DIM 10/1	15.3 mm	18.4 mm	1,147.8 mm	1,154.9 mm	1,162 mm
14T5HE/46-835/IF20/G/DIM 10/1	15.3 mm	18.4 mm	1,147.8 mm	1,154.9 mm	1,162 mm
14T5HE/46-840/IF21/G/DIM 10/1	15.3 mm	18.4 mm	1,147.8 mm	1,154.9 mm	1,162 mm
14T5HE/46-850/IF21/G/DIM 10/1	15.3 mm	18.4 mm	1,147.8 mm	1,154.9 mm	1,162 mm
24T5HO/46-835/IF33/P/DIM 10/1	15.2 mm	17.8 mm	1,147.8 mm	1,154.9 mm	1,162 mm
24T5HO/46-840/IF35/P/DIM 10/1	15.2 mm	17.8 mm	1,147.8 mm	1,154.9 mm	1,162 mm
24T5HO/46-850/IF35/P/DIM 10/1	15.2 mm	17.8 mm	1,147.8 mm	1,154.9 mm	1,162 mm
24T5HO/COR/46-835/IF33/G/DIM 25/1	15.3 mm	18.4 mm	1,147.8 mm	1,154.9 mm	1,162 mm
24T5HO/COR/46-840/IF35/G/DIM 25/1	15.3 mm	18.4 mm	1,147.8 mm	1,154.9 mm	1,162 mm
24T5HO/COR/46-850/IF35/G/DIM 25/1	15.3 mm	18.4 mm	1,147.8 mm	1,154.9 mm	1,162 mm
8T5HE/22-830/IF10/G/DIM 10/1	15.3 mm	18.4 mm	547.8 mm	554.9 mm	562 mm
8T5HE/22-835/IF10/G/DIM 10/1	15.3 mm	18.4 mm	547.8 mm	554.9 mm	562 mm
8T5HE/22-840/IF10/G/DIM 10/1	15.3 mm	18.4 mm	547.8 mm	554.9 mm	562 mm
8T5HE/22-850/IF10/G/DIM 10/1	15.3 mm	18.4 mm	547.8 mm	554.9 mm	562 mm

# InstantFit (UL Type-A) T5

General Information	
Cap-Base	G5
Switching Cycle	50,000
Nominal lifetime	50,000 hour(s)
Light Technical	
LLMF At End Of Nominal Lifetime (Nom)	70 %
Operating and Electrical	
Starting Time (Nom)	0.5 s
Mechanical and Housing	
Bulb Finish	Frosted
Bulb Shape	T5
Approval and Application	
Ambient temperature range	-20 °C to 45 °C

## Light Technical (1/2)

Order Code	Full Product Name	Beam Angle (Nom)	Correlated Color Temperature (Nom)	Color rendering index (CRI)	Color Code
929001283804	24T5HO/46-835/IF33/P/DIM 10/1	160 degree(s)	3500 K	82	835
929001283904	24T5HO/46-840/IF35/P/DIM 10/1	160 degree(s)	4000 K	82	840
929001284004	24T5HO/46-850/IF35/P/DIM 10/1	160 degree(s)	5000 K	82	850
929001823104	8T5HE/22-830/IF10/G/DIM 10/1	200 degree(s)	3000 K	82	830
929001823204	8T5HE/22-835/IF10/G/DIM 10/1	200 degree(s)	3500 K	82	835
929001823304	8T5HE/22-840/IF10/G/DIM 10/1	200 degree(s)	4000 K	82	840
929001823404	8T5HE/22-850/IF10/G/DIM 10/1	200 degree(s)	5000 K	82	850
929001823504	11T5HE/34-830/IF14/G/DIM 10/1	200 degree(s)	3000 K	82	830
929001823604	11T5HE/34-835/IF14/G/DIM 10/1	200 degree(s)	3500 K	82	835
929001823704	11T5HE/34-840/IF15/G/DIM 10/1	200 degree(s)	4000 K	82	840
929001823804	11T5HE/34-850/IF15/G/DIM 10/1	200 degree(s)	5000 K	82	850
929001823904	14T5HE/46-830/IF20/G/DIM 10/1	200 degree(s)	3000 K	82	830
929001824004	14T5HE/46-835/IF20/G/DIM 10/1	200 degree(s)	3500 K	82	835
929001824104	14T5HE/46-840/IF21/G/DIM 10/1	200 degree(s)	4000 K	82	840
929001824204	14T5HE/46-850/IF21/G/DIM 10/1	200 degree(s)	5000 K	82	850
929003134004	24T5HO/COR/46-835/IF33/G/DIM 25/1	200 degree(s)	3500 K	80	835
929003134104	24T5HO/COR/46-840/IF35/G/DIM 25/1	200 degree(s)	4000 K	80	840
929003134204	24T5HO/COR/46-850/IF35/G/DIM 25/1	200 degree(s)	5000 K	80	850

## Light Technical (2/2)

Order Code	Full Product Name	Luminous Flux	Order Code	Full Product Name	Luminous Flux
929001283804	24T5HO/46-835/IF33/P/DIM 10/1	3,300 lm	929001823704	11T5HE/34-840/IF15/G/DIM 10/1	1,500 lm
929001283904	24T5HO/46-840/IF35/P/DIM 10/1	3,500 lm	929001823804	11T5HE/34-850/IF15/G/DIM 10/1	1,500 lm
929001284004	24T5HO/46-850/IF35/P/DIM 10/1	3,500 lm	929001823904	14T5HE/46-830/IF20/G/DIM 10/1	2,000 lm
929001823104	8T5HE/22-830/IF10/G/DIM 10/1	1,000 lm	929001824004	14T5HE/46-835/IF20/G/DIM 10/1	2,000 lm
929001823204	8T5HE/22-835/IF10/G/DIM 10/1	1,000 lm	929001824104	14T5HE/46-840/IF21/G/DIM 10/1	2,100 lm
929001823304	8T5HE/22-840/IF10/G/DIM 10/1	1,050 lm	929001824204	14T5HE/46-850/IF21/G/DIM 10/1	2,100 lm
929001823404	8T5HE/22-850/IF10/G/DIM 10/1	1,050 lm	929003134004	24T5HO/COR/46-835/IF33/G/DIM 25/1	3,300 lm
929001823504	11T5HE/34-830/IF14/G/DIM 10/1	1,400 lm	929003134104	24T5HO/COR/46-840/IF35/G/DIM 25/1	3,500 lm
929001823604	11T5HE/34-835/IF14/G/DIM 10/1	1,400 lm			

# InstantFit (UL Type-A) T5

Order Code	Full Product Name	Luminous Flux
929003134204	24T5HO/COR/46-850/IF35/G/DIM 25/1	3,500 lm

## Operating and Electrical

Order Code	Full				
	Product Name	Input Frequency	Line Frequency	Power Consumption	Wattage Equivalent
929001283804	24T5HO/46-835/IF33/P/D IM 10/1	40000-80000 Hz	40000-80000 Hz	24 W	54 W
929001283904	24T5HO/46-840/IF35/P/D IM 10/1	40000-80000 Hz	40000-80000 Hz	24 W	54 W
929001284004	24T5HO/46-850/IF35/P/D IM 10/1	40000-80000 Hz	40000-80000 Hz	24 W	54 W
929001823104	8T5HE/22-830/IF10/G/D IM 10/1	40000-110000 Hz	40000-110000 Hz	8 W	14 W
929001823204	8T5HE/22-835/IF10/G/D IM 10/1	40000-110000 Hz	40000-110000 Hz	8 W	14 W
929001823304	8T5HE/22-840/IF10/G/D IM 10/1	40000-110000 Hz	40000-110000 Hz	8 W	14 W
929001823404	8T5HE/22-850/IF10/G/D IM 10/1	40000-110000 Hz	40000-110000 Hz	8 W	14 W
929001823504	11T5HE/34-830/IF14/G/DI M 10/1	40000-110000 Hz	40000-110000 Hz	11 W	21 W
929001823604	11T5HE/34-835/IF14/G/DI M 10/1	40000-110000 Hz	40000-110000 Hz	11 W	21 W
929001823704	11T5HE/34-840/IF15/G/DI M 10/1	40000-110000 Hz	40000-110000 Hz	11 W	21 W

Order Code	Full				
	Product Name	Input Frequency	Line Frequency	Power Consumption	Wattage Equivalent
929001823804	11T5HE/34-850/IF15/G/DI M 10/1	40000-110000 Hz	40000-110000 Hz	11 W	21 W
929001823904	14T5HE/46-830/IF20/G/D IM 10/1	40000-110000 Hz	40000-110000 Hz	14 W	28 W
929001824004	14T5HE/46-835/IF20/G/D IM 10/1	40000-110000 Hz	40000-110000 Hz	14 W	28 W
929001824104	14T5HE/46-840/IF21/G/DI M 10/1	40000-110000 Hz	40000-110000 Hz	14 W	28 W
929001824204	14T5HE/46-850/IF21/G/DI M 10/1	40000-110000 Hz	40000-110000 Hz	14 W	28 W
929003134004	24T5HO/COR/46-835/IF33/G/D IM 25/1	50 to 60 Hz	50 to 60 Hz	24 W	54 W
929003134104	24T5HO/COR/46-840/IF35/G/D IM 25/1	50 to 60 Hz	50 to 60 Hz	24 W	54 W
929003134204	24T5HO/COR/46-850/IF35/G/D IM 25/1	50 to 60 Hz	50 to 60 Hz	24 W	54 W

## Temperature

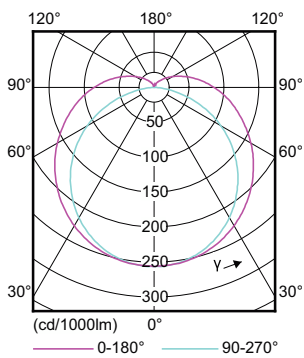
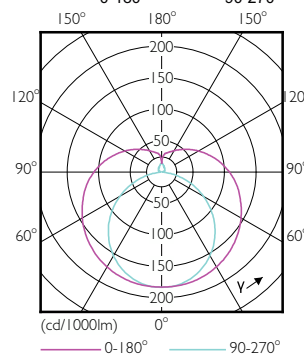
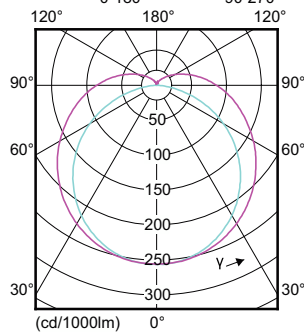
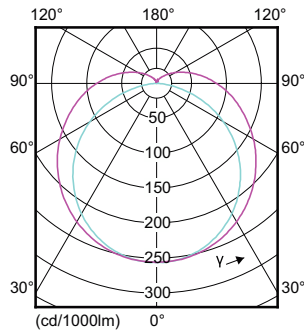
# InstantFit (UL Type-A) T5

Order Code	Full Product Name	T-Case Maximum (Nom)
929001283804	24T5HO/46-835/IF33/P/DIM 10/1	45 °C
929001283904	24T5HO/46-840/IF35/P/DIM 10/1	45 °C
929001284004	24T5HO/46-850/IF35/P/DIM 10/1	45 °C
929001823104	8T5HE/22-830/IF10/G/DIM 10/1	70 °C
929001823204	8T5HE/22-835/IF10/G/DIM 10/1	70 °C
929001823304	8T5HE/22-840/IF10/G/DIM 10/1	70 °C
929001823404	8T5HE/22-850/IF10/G/DIM 10/1	70 °C
929001823504	11T5HE/34-830/IF14/G/DIM 10/1	70 °C
929001823604	11T5HE/34-835/IF14/G/DIM 10/1	70 °C

Order Code	Full Product Name	T-Case Maximum (Nom)
929001823704	11T5HE/34-840/IF15/G/DIM 10/1	70 °C
929001823804	11T5HE/34-850/IF15/G/DIM 10/1	70 °C
929001823904	14T5HE/46-830/IF20/G/DIM 10/1	70 °C
929001824004	14T5HE/46-835/IF20/G/DIM 10/1	70 °C
929001824104	14T5HE/46-840/IF21/G/DIM 10/1	70 °C
929001824204	14T5HE/46-850/IF21/G/DIM 10/1	70 °C
929003134004	24T5HO/COR/46-835/IF33/G/DIM 25/1	70 °C
929003134104	24T5HO/COR/46-840/IF35/G/DIM 25/1	70 °C
929003134204	24T5HO/COR/46-850/IF35/G/DIM 25/1	70 °C

## Controls and Dimming

Order Code	Full Product Name	Dimmable
929001283804	24T5HO/46-835/IF33/P/DIM 10/1	Yes
929001283904	24T5HO/46-840/IF35/P/DIM 10/1	Yes
929001284004	24T5HO/46-850/IF35/P/DIM 10/1	Yes
929001823104	8T5HE/22-830/IF10/G/DIM 10/1	Yes
929001823204	8T5HE/22-835/IF10/G/DIM 10/1	Yes
929001823304	8T5HE/22-840/IF10/G/DIM 10/1	Yes
929001823404	8T5HE/22-850/IF10/G/DIM 10/1	Yes
929001823504	11T5HE/34-830/IF14/G/DIM 10/1	Yes
929001823604	11T5HE/34-835/IF14/G/DIM 10/1	Yes
929001823704	11T5HE/34-840/IF15/G/DIM 10/1	Yes
929001823804	11T5HE/34-850/IF15/G/DIM 10/1	Yes
929001823904	14T5HE/46-830/IF20/G/DIM 10/1	Yes
929001824004	14T5HE/46-835/IF20/G/DIM 10/1	Yes
929001824104	14T5HE/46-840/IF21/G/DIM 10/1	Yes
929001824204	14T5HE/46-850/IF21/G/DIM 10/1	Yes
929003134004	24T5HO/COR/46-835/IF33/G/DIM 25/1	Only with specific dimmers
929003134104	24T5HO/COR/46-840/IF35/G/DIM 25/1	Only with specific dimmers
929003134204	24T5HO/COR/46-850/IF35/G/DIM 25/1	Only with specific dimmers



# InstantFit (UL Type-A) T5

