



# GreenSpace G6: Low energy LED downlights with high visual comfort

## GreenSpace G6

Philips GreenSpace G6 builds on the GreenSpace family's reputation for superb performance, extremely low energy use, and high visual comfort. This next generation of reliable LED downlights comes in a highly-compact design with a deep, recessed architecture and increased reflector depth to highlight the smallest of details. GreenSpace G6 is also a shining example of versatility. This energy-saving LED downlight is available in a comprehensive range of configurations from 600 to 3,550 lumen, with the option to choose fixed, dimmable, or Interact Ready variants. This makes GreenSpace G6 the perfect 'mix and match' solution for potentially broad and extended applications that require different lighting ambiances, with one cohesive luminaire look and feel.

### Benefits

- Energy-efficient LED
- Compact design
- Visual comfort
- Option of glossy faceted (UGR19) or matte white reflector
- Durable LED quality and reliability

### Features

- High system efficacy - average 120 lm/W
- Deep recessed architecture with increased reflector depth
- Spacious installation area with improved narrow rim width
- 50,000 hours lifetime @L80/B50 Ta 25°C
- DALI and wireless Interact compatible

# GreenSpace G6

## Application

- Offices
- retail
- Hospitality
- other potential indoor open areas

## Specifications

<b>Mounting type</b>	Recessed
<b>Operating Temperature range</b>	-20°C to +40°C
<b>Light Source</b>	LED module
<b>Mains Voltage</b>	220-240V / 50-60Hz
<b>Mains connection</b>	flying cable
<b>Dimming</b>	PSU: non-dimmable PSD: Dimmable via Dali protocol WIA: Wireless control
<b>Control system input</b>	DALI/1-10V/ WIA
<b>Material</b>	Housing: Die-cast Aluminium Reflector: Plastic
<b>Main color of the luminaire</b>	Black heat sink
<b>Lumen maintenance at median useful life 50.000h</b>	L80
<b>Flicker / Pst / SVM</b>	MD<3.2% PST<=0.5 SVM<=1
<b>Luminous flux</b>	4inch: 650lm-800lm, 1100lm-1150lm, 1270-1350lm 6inch: 1150-1200lm, 1700-1800lm, 1860-2000lm 8inch: 1650-1760lm, 2250-2400lm, 3450-3550lm
<b>Power consumption</b>	4inch: 5.8W - 12W 6inch: 9.8W - 16.6W 8inch: 14.2W - 29.3W
<b>Luminaire efficacy</b>	PSU: 105-124lm/W @840 PSD/WIA: 100-122lm/W @840
<b>Correlated color temperature - CCT</b>	3000K, 4000K, 6500

<b>Color Rendering index - CRI</b>	80, 90
<b>Risk Group</b>	RG1
<b>Beam angle</b>	4inch - WH reflector - 78degree 6inch - WH reflector - 82degree 8inch - WH reflector - 83degree 4/6/8inch - Aluminizing reflector - 60degree
<b>Reflector material</b>	WH: Plastic AL: Aluminum coated
<b>Optic</b>	White (WH) UGR 23-26 (NOC) based on lumen output. Aluminizing (AL) UGR<19 (OC)
<b>Protection Class IEC61140</b>	Class II
<b>Mechanical impact protection</b>	IK03
<b>Ingress protection</b>	IP20 / IP54 (light exit window)
<b>Overall diameter</b>	4inch: D100 6inch: D150 8inch: D200
<b>Overall height</b>	4inch: 69mm 6inch: 82mm 8inch: 105mm
<b>UGR</b>	AL coating reflector: UGR19 WH reflector: UGR 23-26
<b>Installation</b>	recessed Fixation by means of spring fasteners

## Versions



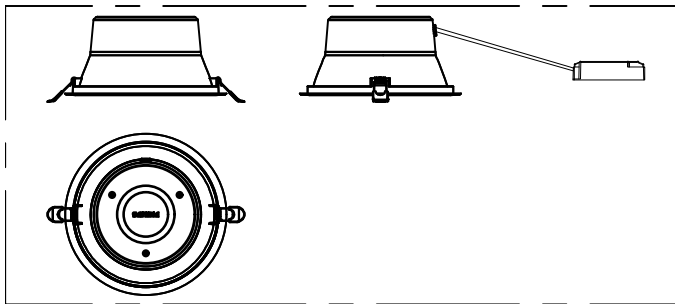
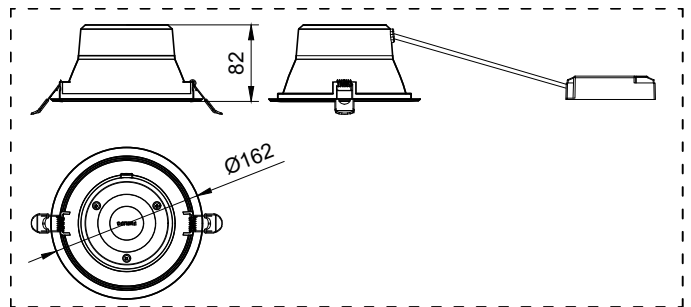
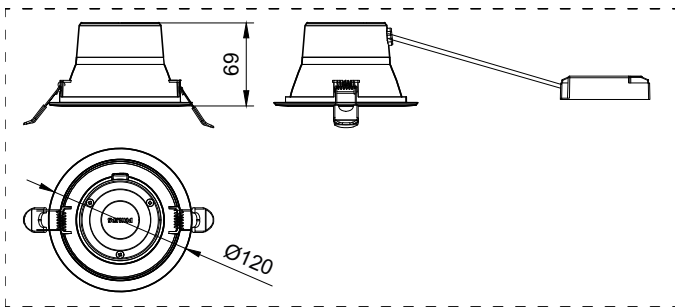
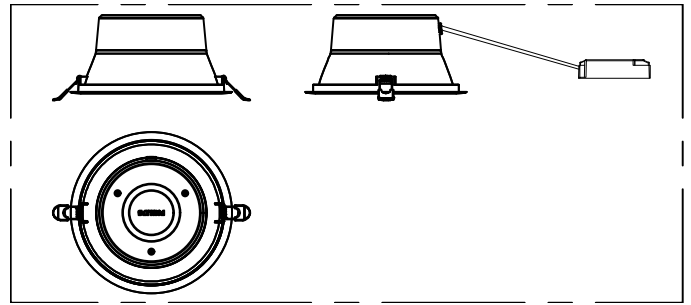
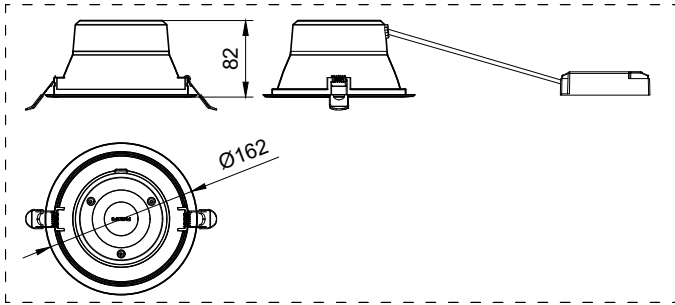
GreenSpace G6

GreenSpace G6

GreenSpace G6

GreenSpace G6

Dimensional drawing



## General Information

<b>Gear</b>	-
<b>Number of gear units</b>	-
<b>Operating and Electrical</b>	
<b>Protection class IEC</b>	Safety class II
<b>Input Voltage</b>	220 to 240 V
<b>Line Frequency</b>	50 or 60 Hz
<b>Suitable for random switching</b>	No
<b>Mechanical and Housing</b>	
<b>Optical cover type</b>	Polycarbonate Diffuser
<b>Mech. impact protection code</b>	IK03
<b>Approval and Application</b>	
<b>Ambient temperature range</b>	-20 to +40 °C
<b>CE mark</b>	Yes
<b>ENEC mark</b>	-
<b>Flammability mark</b>	-
<b>Glow-wire test</b>	Temperature 650 °C, duration 5 s

## General Information

Order Code	Full Product Name	Driver included	Service tag
911401533644	DN391B LED15/865 P11PSU D100 WH GMG2HE	Yes	Yes
911401533744	DN391B LED15/840 P11PSU D100 WH GMG2HE	Yes	Yes
911401534244	DN391B LED15/865 PSU D100 WH GCG2HE	Yes	Yes
911401534444	DN391B LED15/830 PSU D100 WH GCG2HE	Yes	Yes
911401534844	DN391B LED12/865 P10PSU D100 WH GMG2HE	Yes	Yes
911401534944	DN391B LED12/840 P10PSU D100 WH GMG2HE	Yes	Yes
911401536144	DN390B LED7/865 P6PSU D100 WH GMG2HE	Yes	Yes
911401536244	DN390B LED7/840 P6PSU D100 WH GMG2HE	Yes	Yes
911401536344	DN390B LED7/830 P6PSU D100 WH GMG2HE	Yes	Yes
911401538744	DN391X LED15/840 P12WIA D100WH G2HE	Yes	Yes
911401579544	DN391B LED12/840 P10PSD D100 WH GMG2HE	No	Yes
911401521944	DN392B LED20/865 P16PSU D150 ALWP GMG2HE	Yes	Yes
911401522044	DN392B LED20/840 P16PSU D150 ALWP GMG2HE	Yes	Yes
911401523244	DN392B LED18/840 P14PSU D150 ALWP GMG2HE	Yes	Yes
911401523844	DN391B LED12/840 P10PSU D150 ALWP GMG2HE	Yes	Yes
911401528544	DN392B LED20/865 P16PSU D150 AL GMG2HE	Yes	Yes
911401530944	DN392B LED18/865 P14PSU D150 AL GMG2HE	Yes	Yes
911401531044	DN392B LED18/840 P14PSU D150 AL GMG2HE	Yes	Yes
911401532144	DN391B LED12/865 P10PSU D150 AL GMG2HE	Yes	Yes
911401532244	DN391B LED12/840 P10PSU D150 AL GMG2HE	Yes	Yes
911401537244	DN392X LED18/865 P15WIA D150 AL G2HE	Yes	Yes
911401566344	DN392B LED18/840 P14PSD D150 AL GMG2HE	No	Yes
911401568144	DN392B LED22/840 P17PSD D150 ALWP GMG2HE	No	Yes
911401573844	DN392B LED22/840 P17PSD D150 AL GMG2HE	No	Yes
911401534544	DN391B LED12/865 P10PSU D100 AL GMG2HE	Yes	Yes
911401534744	DN391B LED12/830 P10PSU D100 AL GMG2HE	Yes	Yes
911401526444	DN394B LED40/865 P29PSU D200 WH GMG2HE	Yes	Yes
911401526644	DN394B LED40/830 P29PSU D200 WH GMG2HE	Yes	Yes
911401527644	DN393B LED26/865 P19PSU D200 WH GMG2HE	Yes	Yes
911401527744	DN393B LED26/840 P19PSU D200 WH GMG2HE	Yes	Yes
911401530044	DN392B LED20/865 P14PSU D200 WH GMG2HE	Yes	Yes
911401530244	DN392B LED20/830 P14PSU D200 WH GMG2HE	Yes	Yes
911401571644	DN394B LED40/865 P29PSD D200 WH GMG2HE	No	Yes
911401571744	DN394B LED40/840 P29PSD D200 WH GMG2HE	No	Yes
911401572844	DN393B LED26/865 P20PSD D200 WH GMG2HE	No	Yes
911401572944	DN393B LED26/840 P20PSD D200 WH GMG2HE	No	Yes
911401540344	DN393X LED26/840 P20L1W D200 WH GMG2HE	No	-
911401520744	DN394B LED38/865 P29PSU D200 ALWP GMG2HE	Yes	Yes
911401520844	DN394B LED38/840 P29PSU D200 ALWP GMG2HE	Yes	Yes
911401521344	DN393B LED25/865 P19PSU D200 ALWP GMG2HE	Yes	Yes
911401522644	DN392B LED18/840 P14PSU D200 ALWP GMG2HE	Yes	Yes
911401522944	DN392B LED18/840 PSU D200 AL WP GCG2HE	Yes	Yes
911401527344	DN393B LED25/865 P19PSU D200 AL GMG2HE	Yes	Yes
911401527444	DN393B LED25/840 P19PSU D200 AL GMG2HE	Yes	Yes
911401529744	DN392B LED18/865 P14PSU D200 AL GMG2HE	Yes	Yes
911401529844	DN392B LED18/840 P14PSU D200 AL GMG2HE	Yes	Yes
911401538244	DN393X LED25/840 P20WIA D200 AL G2HE	Yes	Yes
911401566944	DN394B LED38/840 P29PSD D200 ALWP GMG2HE	No	Yes
911401567544	DN393B LED25/840 P20PSD D200 ALWP GMG2HE	No	Yes
911401568744	DN392B LED18/840 P14PSD D200 ALWP GMG2HE	No	Yes
911401571444	DN394B LED38/840 P29PSD D200 AL GMG2HE	No	Yes

Order Code	Full Product Name	Driver included	Service tag
911401572644	DN393B LED25/840 P20PSD D200 AL GMG2HE	No	Yes
911401539944	DN392X LED20/840 P15L1W D150 WH GMG2HE	No	-
911401528944	DN392B LED22/840 P16PSU D150 WH GMG2HE	Yes	Yes
911401531244	DN392B LED20/865 P14PSU D150 WH GMG2HE	Yes	Yes
911401531344	DN392B LED20/840 P14PSU D150 WH GMG2HE	Yes	Yes
911401531444	DN392B LED20/830 P14PSU D150 WH GMG2HE	Yes	Yes
911401532544	DN391B LED13/840 P10PSU D150 WH GMG2HE	Yes	Yes
911401532644	DN391B LED13/830 P10PSU D150 WH GMG2HE	Yes	Yes
911401537344	DN392X LED20/865 P15WIA D150 WH G2HE	Yes	Yes
911401538544	DN392X LED20/840 P15WIA D150 WH G2HE	Yes	Yes
911401566644	DN392B LED19/840 P14PSD D150 WH GMG2HE	No	Yes
911401574144	DN392B LED23/840 P17PSD D150 WH GMG2HE	No	Yes

Light Technical (1/2)

Order Code	Full Product Name	Beam angle of light source	Correlated Color Temperature (Nom)	Color rendering index (CRI)	Luminous Efficacy (rated) (Nom)	Order Code	Full Product Name	Beam angle of light source	Correlated Color Temperature (Nom)	Color rendering index (CRI)	Luminous Efficacy (rated) (Nom)
911401533644	DN391B LED15/865 P11PSU D100 WH GMG2HE	-	6500 K	>80	130 lm/W	911401536344	DN390B LED7/830 P6PSU D100 WH GMG2HE	-	3000 K	>80	120 lm/W
911401533744	DN391B LED15/840 P11PSU D100 WH GMG2HE	-	4000 K	>80	130 lm/W	911401538744	DN391X LED15/840 P12WIA D100WH G2HE	-	4000 K	>80	125 lm/W
911401534244	DN391B LED15/865 PSU D100 WH GCG2HE	-	6500 K	>80	130 lm/W	911401579544	DN391B LED12/840 P10PSD D100 WH GMG2HE	10 or 40 degree(s)	4000 K	≥80	125 lm/W
911401534444	DN391B LED15/830 PSU D100 WH GCG2HE	-	3000 K	>80	120 lm/W	911401521944	DN392B LED20/865 P16PSU D150 ALWP GMG2HE	-	6500 K	>80	132 lm/W
911401534844	DN391B LED12/865 P10PSU D100 WH GMG2HE	-	6500 K	>80	130 lm/W	911401522044	DN392B LED20/840 P16PSU D150 ALWP GMG2HE	-	4000 K	>80	132 lm/W
911401534944	DN391B LED12/840 P10PSU D100 WH GMG2HE	-	4000 K	>80	130 lm/W	911401523244	DN392B LED18/840 P14PSU D150 ALWP GMG2HE	-	4000 K	>80	132 lm/W
911401536144	DN390B LED7/865 P6PSU D100 WH GMG2HE	-	6500 K	>80	130 lm/W	911401523844	DN391B LED12/840 P10PSU D150 ALWP GMG2HE	-	4000 K	>80	132 lm/W
911401536244	DN390B LED7/840 P6PSU D100 WH GMG2HE	-	4000 K	>80	130 lm/W	911401528544	DN392B LED20/865 P16PSU D150 AL GMG2HE	-	6500 K	>80	132 lm/W

Order Code	Full Product Name	Beam angle of light source	Correlated Color Temperature (Nom)	Color rendering index (CRI)	Luminous Efficacy (rated) (Nom)
911401530944	DN392B LED18/865 P14PSU D150 AL GMG2HE	-	6500 K	>80	132 lm/W
911401531044	DN392B LED18/840 P14PSU D150 AL GMG2HE	-	4000 K	>80	132 lm/W
911401532144	DN391B LED12/865 P10PSU D150 AL GMG2HE	-	6500 K	>80	132 lm/W
911401532244	DN391B LED12/840 P10PSU D150 AL GMG2HE	-	4000 K	>80	132 lm/W
911401537244	DN392X LED18/865 P15WIA D150 AL G2HE	-	6500 K	>80	130 lm/W
911401566344	DN392B LED18/840 P14PSD D150 AL GMG2HE	10 or 40 degree(s)	4000 K	≥80	130 lm/W
911401568144	DN392B LED22/840 P17PSD D150 ALWP GMG2HE	10 or 40 degree(s)	4000 K	≥80	130 lm/W
911401573844	DN392B LED22/840 P17PSD D150 AL GMG2HE	10 or 40 degree(s)	4000 K	≥80	130 lm/W
911401534544	DN391B LED12/865 P10PSU D100 AL GMG2HE	-	6500 K	>80	125 lm/W
911401534744	DN391B LED12/830 P10PSU D100 AL GMG2HE	-	3000 K	>80	118 lm/W
911401526444	DN394B LED40/865 P29PSU D200 WH GMG2HE	-	6500 K	>80	140 lm/W
911401526644	DN394B LED40/830 P29PSU D200 WH GMG2HE	-	3000 K	>80	130 lm/W

Order Code	Full Product Name	Beam angle of light source	Correlated Color Temperature (Nom)	Color rendering index (CRI)	Luminous Efficacy (rated) (Nom)
911401527644	DN393B LED26/865 P19PSU D200 WH GMG2HE	-	6500 K	>80	140 lm/W
911401527744	DN393B LED26/840 P19PSU D200 WH GMG2HE	-	4000 K	>80	140 lm/W
911401530044	DN392B LED20/865 P14PSU D200 WH GMG2HE	-	6500 K	>80	140 lm/W
911401530244	DN392B LED20/830 P14PSU D200 WH GMG2HE	-	3000 K	>80	130 lm/W
911401571644	DN394B LED40/865 P29PSD D200 WH GMG2HE	10 or 40 degree(s)	6500 K	≥80	137 lm/W
911401571744	DN394B LED40/840 P29PSD D200 WH GMG2HE	10 or 40 degree(s)	4000 K	≥80	137 lm/W
911401572844	DN393B LED26/865 P20PSD D200 WH GMG2HE	10 or 40 degree(s)	6500 K	≥80	137 lm/W
911401572944	DN393B LED26/840 P20PSD D200 WH GMG2HE	10 or 40 degree(s)	4000 K	≥80	137 lm/W
911401540344	DN393X LED26/840 P20L1W D200 WH GMG2HE	10 or 40 degree(s)	4000 K	≥80	130 lm/W
911401520744	DN394B LED38/865 P29PSU D200 ALWP GMG2HE	-	6500 K	>80	132 lm/W
911401520844	DN394B LED38/840 P29PSU D200 ALWP GMG2HE	-	4000 K	>80	132 lm/W
911401521344	DN393B LED25/865 P19PSU D200 ALWP GMG2HE	-	6500 K	>80	132 lm/W

Order Code	Full Product Name	Beam angle of light source	Correlated Color Temperature (Nom)	Color rendering index (CRI)	Luminous Efficacy (rated) (Nom)
911401522644	DN392B LED18/840 P14PSU D200 ALWP GMG2HE	-	4000 K	>80	132 lm/W
911401522944	DN392B LED18/840 PSU D200 AL WP GCG2HE	-	4000 K	>80	132 lm/W
911401527344	DN393B LED25/865 P19PSU D200 AL GMG2HE	-	6500 K	>80	132 lm/W
911401527444	DN393B LED25/840 P19PSU D200 AL GMG2HE	-	4000 K	>80	132 lm/W
911401529744	DN392B LED18/865 P14PSU D200 AL GMG2HE	-	6500 K	>80	132 lm/W
911401529844	DN392B LED18/840 P14PSU D200 AL GMG2HE	-	4000 K	>80	132 lm/W
911401538244	DN393X LED25/840 P20WIA D200 AL G2HE	-	4000 K	>80	130 lm/W
911401566944	DN394B LED38/840 P29PSD D200 ALWP GMG2HE	10 or 40 degree(s)	4000 K	≥80	130 lm/W
911401567544	DN393B LED25/840 P20PSD D200 ALWP GMG2HE	10 or 40 degree(s)	4000 K	≥80	130 lm/W
911401568744	DN392B LED18/840 P14PSD D200 ALWP GMG2HE	10 or 40 degree(s)	4000 K	≥80	130 lm/W
911401571444	DN394B LED38/840 P29PSD D200 AL GMG2HE	10 or 40 degree(s)	4000 K	≥80	130 lm/W
911401572644	DN393B LED25/840	10 or 40 degree(s)	4000 K	≥80	130 lm/W

Order Code	Full Product Name	Beam angle of light source	Correlated Color Temperature (Nom)	Color rendering index (CRI)	Luminous Efficacy (rated) (Nom)
	P20PSD D200 AL GMG2HE				
911401539944	DN392X LED20/840 P15L1W D150 WH GMG2HE	10 or 40 degree(s)	4000 K	≥80	130 lm/W
911401528944	DN392B LED22/840 P16PSU D150 WH GMG2HE	-	4000 K	>80	138 lm/W
911401531244	DN392B LED20/865 P14PSU D150 WH GMG2HE	-	6500 K	>80	138 lm/W
911401531344	DN392B LED20/840 P14PSU D150 WH GMG2HE	-	4000 K	>80	138 lm/W
911401531444	DN392B LED20/830 P14PSU D150 WH GMG2HE	-	3000 K	>80	130 lm/W
911401532544	DN391B LED13/840 P10PSU D150 WH GMG2HE	-	4000 K	>80	138 lm/W
911401532644	DN391B LED13/830 P10PSU D150 WH GMG2HE	-	3000 K	>80	130 lm/W
911401537344	DN392X LED20/865 P15WIA D150 WH G2HE	-	6500 K	>80	135 lm/W
911401538544	DN392X LED20/840 P15WIA D150 WH G2HE	-	4000 K	>80	135 lm/W
911401566644	DN392B LED19/840 P14PSD D150 WH GMG2HE	10 or 40 degree(s)	4000 K	≥80	135 lm/W
911401574144	DN392B LED23/840 P17PSD D150 WH GMG2HE	10 or 40 degree(s)	4000 K	≥80	135 lm/W

## Light Technical (2/2)

Order Code	Full Product Name	Luminous Flux	Number of light sources	Optic type
911401533644	DN391B LED15/865 P11PSU D100 WH GMG2HE	1,500 lm	1	White reflector and opal cover
911401533744	DN391B LED15/840 P11PSU D100 WH GMG2HE	1,500 lm	1	White reflector and opal cover
911401534244	DN391B LED15/865 PSU D100 WH GCG2HE	1,500 lm	1	White reflector and opal cover
911401534444	DN391B LED15/830 PSU D100 WH GCG2HE	1,350 lm	1	White reflector and opal cover
911401534844	DN391B LED12/865 P10PSU D100 WH GMG2HE	1,250 lm	1	White reflector and opal cover
911401534944	DN391B LED12/840 P10PSU D100 WH GMG2HE	1,250 lm	1	White reflector and opal cover
911401536144	DN390B LED7/865 P6PSU D100 WH GMG2HE	750 lm	1	White reflector and opal cover
911401536244	DN390B LED7/840 P6PSU D100 WH GMG2HE	750 lm	1	White reflector and opal cover
911401536344	DN390B LED7/830 P6PSU D100 WH GMG2HE	700 lm	1	White reflector and opal cover
911401538744	DN391X LED15/840 PI2WIA D100WH G2HE	1,500 lm	1	White reflector and opal cover
911401579544	DN391B LED12/840 P10PSD D100 WH GMG2HE	1,200 lm	28	White reflector and opal cover
911401521944	DN392B LED20/865 P16PSU D150 ALWP GMG2HE	2,000 lm	1	Facetted reflector
911401522044	DN392B LED20/840 P16PSU D150 ALWP GMG2HE	2,000 lm	1	Facetted reflector
911401523244	DN392B LED18/840 P14PSU D150 ALWP GMG2HE	1,850 lm	1	Facetted reflector
911401523844	DN391B LED12/840 P10PSU D150 ALWP GMG2HE	1,250 lm	1	Facetted reflector
911401528544	DN392B LED20/865 P16PSU D150 AL GMG2HE	2,000 lm	1	Facetted reflector
911401530944	DN392B LED18/865 P14PSU D150 AL GMG2HE	1,850 lm	1	Facetted reflector

Order Code	Full Product Name	Luminous Flux	Number of light sources	Optic type
911401531044	DN392B LED18/840 P14PSU D150 AL GMG2HE	1,850 lm	1	Facetted reflector
911401532144	DN391B LED12/865 P10PSU D150 AL GMG2HE	1,250 lm	1	Facetted reflector
911401532244	DN391B LED12/840 P10PSU D150 AL GMG2HE	1,250 lm	1	Facetted reflector
911401537244	DN392X LED18/865 P15WIA D150 AL G2HE	1,850 lm	1	Facetted reflector
911401566344	DN392B LED18/840 P14PSD D150 AL GMG2HE	1,800 lm	48	Facetted reflector
911401568144	DN392B LED22/840 P17PSD D150 ALWP GMG2HE	2,200 lm	48	Facetted reflector
911401573844	DN392B LED22/840 P17PSD D150 AL GMG2HE	2,200 lm	48	Facetted reflector
911401534544	DN391B LED12/865 P10PSU D100 AL GMG2HE	1,200 lm	1	Facetted reflector
911401534744	DN391B LED12/830 P10PSU D100 AL GMG2HE	1,100 lm	1	Facetted reflector
911401526444	DN394B LED40/865 P29PSU D200 WH GMG2HE	4,000 lm	1	White reflector and opal cover
911401526644	DN394B LED40/830 P29PSU D200 WH GMG2HE	3,700 lm	1	White reflector and opal cover
911401527644	DN393B LED26/865 P19PSU D200 WH GMG2HE	2,600 lm	1	White reflector and opal cover
911401527744	DN393B LED26/840 P19PSU D200 WH GMG2HE	2,600 lm	1	White reflector and opal cover
911401530044	DN392B LED20/865 P14PSU D200 WH GMG2HE	2,000 lm	1	White reflector and opal cover
911401530244	DN392B LED20/830 P14PSU D200 WH GMG2HE	1,850 lm	1	White reflector and opal cover
911401571644	DN394B LED40/865 P29PSD D200 WH GMG2HE	4,000 lm	78	White reflector and opal cover
911401571744	DN394B LED40/840 P29PSD D200 WH GMG2HE	4,000 lm	78	White reflector and opal cover

Order Code	Full Product Name	Luminous Flux	Number of light sources	Optic type
911401572844	DN393B LED26/865 P20PSD D200 WH GMG2HE	2,600 lm	48	White reflector and opal cover
911401572944	DN393B LED26/840 P20PSD D200 WH GMG2HE	2,600 lm	48	White reflector and opal cover
911401540344	DN393X LED26/840 P20L1W D200 WH GMG2HE	2,600 lm	48	White reflector and opal cover
911401520744	DN394B LED38/865 P29PSU D200 ALWP GMG2HE	3,800 lm	1	Facetted reflector
911401520844	DN394B LED38/840 P29PSU D200 ALWP GMG2HE	3,800 lm	1	Facetted reflector
911401521344	DN393B LED25/865 P19PSU D200 ALWP GMG2HE	2,500 lm	1	Facetted reflector
911401522644	DN392B LED18/840 P14PSU D200 ALWP GMG2HE	1,850 lm	1	Facetted reflector
911401522944	DN392B LED18/840 PSU D200 AL WP GCG2HE	1,850 lm	1	Facetted reflector
911401527344	DN393B LED25/865 P19PSU D200 AL GMG2HE	2,500 lm	1	Facetted reflector
911401527444	DN393B LED25/840 P19PSU D200 AL GMG2HE	2,500 lm	1	Facetted reflector
911401529744	DN392B LED18/865 P14PSU D200 AL GMG2HE	1,850 lm	1	Facetted reflector
911401529844	DN392B LED18/840 P14PSU D200 AL GMG2HE	1,850 lm	1	Facetted reflector
911401538244	DN393X LED25/840 P20WIA D200 AL G2HE	2,500 lm	1	Facetted reflector
911401566944	DN394B LED38/840 P29PSD D200 ALWP GMG2HE	3,800 lm	78	Facetted reflector
911401567544	DN393B LED25/840 P20PSD D200 ALWP GMG2HE	2,500 lm	48	Facetted reflector

Order Code	Full Product Name	Luminous Flux	Number of light sources	Optic type
911401568744	DN392B LED18/840 P14PSD D200 ALWP GMG2HE	1,750 lm	48	Facetted reflector
911401571444	DN394B LED38/840 P29PSD D200 AL GMG2HE	3,800 lm	78	Facetted reflector
911401572644	DN393B LED25/840 P20PSD D200 AL GMG2HE	2,500 lm	48	Facetted reflector
911401539944	DN392X LED20/840 P15L1W D150 WH GMG2HE	2,000 lm	40	White reflector and opal cover
911401528944	DN392B LED22/840 P16PSU D150 WH GMG2HE	2,200 lm	1	White reflector and opal cover
911401531244	DN392B LED20/865 P14PSU D150 WH GMG2HE	2,000 lm	1	White reflector and opal cover
911401531344	DN392B LED20/840 P14PSU D150 WH GMG2HE	2,000 lm	1	White reflector and opal cover
911401531444	DN392B LED20/830 P14PSU D150 WH GMG2HE	1,850 lm	1	White reflector and opal cover
911401532544	DN391B LED13/840 P10PSU D150 WH GMG2HE	1,300 lm	1	White reflector and opal cover
911401532644	DN391B LED13/830 P10PSU D150 WH GMG2HE	1,200 lm	1	White reflector and opal cover
911401537344	DN392X LED20/865 P15WIA D150 WH G2HE	2,000 lm	1	White reflector and opal cover
911401538544	DN392X LED20/840 P15WIA D150 WH G2HE	2,000 lm	1	White reflector and opal cover
911401566644	DN392B LED19/840 P14PSD D150 WH GMG2HE	1,900 lm	48	White reflector and opal cover
911401574144	DN392B LED23/840 P17PSD D150 WH GMG2HE	2,300 lm	48	White reflector and opal cover

## Operating and Electrical

Order Code	Full Product Name	Power Consumption
911401533644	DN391B LED15/865 P11PSU D100 WH GMG2HE	11.4 W
911401533744	DN391B LED15/840 P11PSU D100 WH GMG2HE	11.4 W
911401534244	DN391B LED15/865 PSU D100 WH GCG2HE	11.4 W

Order Code	Full Product Name	Power Consumption
911401534444	DN391B LED15/830 PSU D100 WH GCG2HE	11.4 W
911401534844	DN391B LED12/865 P10PSU D100 WH GMG2HE	9.8 W
911401534944	DN391B LED12/840 P10PSU D100 WH GMG2HE	9.8 W

Order Code	Full Product Name	Power Consumption
911401536144	DN390B LED7/865 P6PSU D100 WH GMG2HE	5.8 W
911401536244	DN390B LED7/840 P6PSU D100 WH GMG2HE	5.8 W
911401536344	DN390B LED7/830 P6PSU D100 WH GMG2HE	5.8 W
911401538744	DN391X LED15/840 P12WIA D100WH G2HE	12 W
911401579544	DN391B LED12/840 P10PSD D100 WH GMG2HE	10.2 W
911401521944	DN392B LED20/865 P16PSU D150 ALWP GMG2HE	16 W
911401522044	DN392B LED20/840 P16PSU D150 ALWP GMG2HE	16 W
911401523244	DN392B LED18/840 P14PSU D150 ALWP GMG2HE	14.4 W
911401523844	DN391B LED12/840 P10PSU D150 ALWP GMG2HE	9.8 W
911401528544	DN392B LED20/865 P16PSU D150 AL GMG2HE	16 W
911401530944	DN392B LED18/865 P14PSU D150 AL GMG2HE	14.4 W
911401531044	DN392B LED18/840 P14PSU D150 AL GMG2HE	14.4 W
911401532144	DN391B LED12/865 P10PSU D150 AL GMG2HE	9.8 W
911401532244	DN391B LED12/840 P10PSU D150 AL GMG2HE	9.8 W
911401537244	DN392X LED18/865 P15WIA D150 AL G2HE	15 W
911401566344	DN392B LED18/840 P14PSD D150 AL GMG2HE	13.4 W
911401568144	DN392B LED22/840 P17PSD D150 ALWP GMG2HE	17.3 W
911401573844	DN392B LED22/840 P17PSD D150 AL GMG2HE	17.3 W
911401534544	DN391B LED12/865 P10PSU D100 AL GMG2HE	9.8 W
911401534744	DN391B LED12/830 P10PSU D100 AL GMG2HE	9.8 W
911401526444	DN394B LED40/865 P29PSU D200 WH GMG2HE	29.3 W
911401526644	DN394B LED40/830 P29PSU D200 WH GMG2HE	29.3 W
911401527644	DN393B LED26/865 P19PSU D200 WH GMG2HE	19.2 W
911401527744	DN393B LED26/840 P19PSU D200 WH GMG2HE	19.2 W
911401530044	DN392B LED20/865 P14PSU D200 WH GMG2HE	14.4 W
911401530244	DN392B LED20/830 P14PSU D200 WH GMG2HE	14.4 W
911401571644	DN394B LED40/865 P29PSD D200 WH GMG2HE	29.3 W
911401571744	DN394B LED40/840 P29PSD D200 WH GMG2HE	29.3 W
911401572844	DN393B LED26/865 P20PSD D200 WH GMG2HE	19.9 W
911401572944	DN393B LED26/840 P20PSD D200 WH GMG2HE	19.9 W
911401540344	DN393X LED26/840 P20L1W D200 WH GMG2HE	19.9 W

Order Code	Full Product Name	Power Consumption
911401520744	DN394B LED38/865 P29PSU D200 ALWP GMG2HE	29.3 W
911401520844	DN394B LED38/840 P29PSU D200 ALWP GMG2HE	29.3 W
911401521344	DN393B LED25/865 P19PSU D200 ALWP GMG2HE	19.2 W
911401522644	DN392B LED18/840 P14PSU D200 ALWP GMG2HE	14.4 W
911401522944	DN392B LED18/840 PSU D200 AL WP GCG2HE	14.4 W
911401527344	DN393B LED25/865 P19PSU D200 AL GMG2HE	19.2 W
911401527444	DN393B LED25/840 P19PSU D200 AL GMG2HE	19.2 W
911401529744	DN392B LED18/865 P14PSU D200 AL GMG2HE	14.4 W
911401529844	DN392B LED18/840 P14PSU D200 AL GMG2HE	14.4 W
911401538244	DN393X LED25/840 P20WIA D200 AL G2HE	19.9 W
911401566944	DN394B LED38/840 P29PSD D200 ALWP GMG2HE	29.3 W
911401567544	DN393B LED25/840 P20PSD D200 ALWP GMG2HE	19.9 W
911401568744	DN392B LED18/840 P14PSD D200 ALWP GMG2HE	14.2 W
911401571444	DN394B LED38/840 P29PSD D200 AL GMG2HE	29.3 W
911401572644	DN393B LED25/840 P20PSD D200 AL GMG2HE	19.9 W
911401539944	DN392X LED20/840 P15L1W D150 WH GMG2HE	15 W
911401528944	DN392B LED22/840 P16PSU D150 WH GMG2HE	16 W
911401531244	DN392B LED20/865 P14PSU D150 WH GMG2HE	14.4 W
911401531344	DN392B LED20/840 P14PSU D150 WH GMG2HE	14.4 W
911401531444	DN392B LED20/830 P14PSU D150 WH GMG2HE	14.4 W
911401532544	DN391B LED13/840 P10PSU D150 WH GMG2HE	9.8 W
911401532644	DN391B LED13/830 P10PSU D150 WH GMG2HE	9.8 W
911401537344	DN392X LED20/865 P15WIA D150 WH G2HE	15 W
911401538544	DN392X LED20/840 P15WIA D150 WH G2HE	15 W
911401566644	DN392B LED19/840 P14PSD D150 WH GMG2HE	13.4 W
911401574144	DN392B LED23/840 P17PSD D150 WH GMG2HE	17.3 W

## Controls and Dimming

Order Code	Full Product Name	Dimmable	Maximum dim level
911401533644	DN391B LED15/865 P11PSU D100 WH GMG2HE	No	Not applicable
911401533744	DN391B LED15/840 P11PSU D100 WH GMG2HE	No	Not applicable
911401534244	DN391B LED15/865 PSU D100 WH GCG2HE	No	Not applicable
911401534444	DN391B LED15/830 PSU D100 WH GCG2HE	No	Not applicable
911401534844	DN391B LED12/865 P10PSU D100 WH GMG2HE	No	Not applicable
911401534944	DN391B LED12/840 P10PSU D100 WH GMG2HE	No	Not applicable
911401536144	DN390B LED7/865 P6PSU D100 WH GMG2HE	No	Not applicable

Order Code	Full Product Name	Dimmable	Maximum dim level
911401536244	DN390B LED7/840 P6PSU D100 WH GMG2HE	No	Not applicable
911401536344	DN390B LED7/830 P6PSU D100 WH GMG2HE	No	Not applicable
911401538744	DN391X LED15/840 P12WIA D100WH G2HE	DALI	1%
911401579544	DN391B LED12/840 P10PSD D100 WH GMG2HE	DALI	1%
911401521944	DN392B LED20/865 P16PSU D150 ALWP GMG2HE	No	Not applicable
911401522044	DN392B LED20/840 P16PSU D150 ALWP GMG2HE	No	Not applicable
911401523244	DN392B LED18/840 P14PSU D150 ALWP GMG2HE	No	Not applicable

Order Code	Full Product Name	Dimmable	Maximum dim level
911401523844	DN391B LED12/840 P10PSU D150 ALWP GMG2HE	No	Not applicable
911401528544	DN392B LED20/865 P16PSU D150 AL GMG2HE	No	Not applicable
911401530944	DN392B LED18/865 P14PSU D150 AL GMG2HE	No	Not applicable
911401531044	DN392B LED18/840 P14PSU D150 AL GMG2HE	No	Not applicable
911401532144	DN391B LED12/865 P10PSU D150 AL GMG2HE	No	Not applicable
911401532244	DN391B LED12/840 P10PSU D150 AL GMG2HE	No	Not applicable
911401537244	DN392X LED18/865 P15WIA D150 AL G2HE	DALI	1%
911401566344	DN392B LED18/840 P14PSD D150 AL GMG2HE	DALI	1%
911401568144	DN392B LED22/840 P17PSD D150 ALWP GMG2HE	DALI	1%
911401573844	DN392B LED22/840 P17PSD D150 AL GMG2HE	DALI	1%
911401534544	DN391B LED12/865 P10PSU D100 AL GMG2HE	No	Not applicable
911401534744	DN391B LED12/830 P10PSU D100 AL GMG2HE	No	Not applicable
911401526444	DN394B LED40/865 P29PSU D200 WH GMG2HE	No	Not applicable
911401526644	DN394B LED40/830 P29PSU D200 WH GMG2HE	No	Not applicable
911401527644	DN393B LED26/865 P19PSU D200 WH GMG2HE	No	Not applicable
911401527744	DN393B LED26/840 P19PSU D200 WH GMG2HE	No	Not applicable
911401530044	DN392B LED20/865 P14PSU D200 WH GMG2HE	No	Not applicable
911401530244	DN392B LED20/830 P14PSU D200 WH GMG2HE	No	Not applicable
911401571644	DN394B LED40/865 P29PSD D200 WH GMG2HE	DALI	1%
911401571744	DN394B LED40/840 P29PSD D200 WH GMG2HE	DALI	1%
911401572844	DN393B LED26/865 P20PSD D200 WH GMG2HE	DALI	1%
911401572944	DN393B LED26/840 P20PSD D200 WH GMG2HE	DALI	1%
911401540344	DN393X LED26/840 P20L1W D200 WH GMG2HE	DALI	1%
911401520744	DN394B LED38/865 P29PSU D200 ALWP GMG2HE	No	Not applicable
911401520844	DN394B LED38/840 P29PSU D200 ALWP GMG2HE	No	Not applicable

Order Code	Full Product Name	Dimmable	Maximum dim level
911401521344	DN393B LED25/865 P19PSU D200 ALWP GMG2HE	No	Not applicable
911401522644	DN392B LED18/840 P14PSU D200 ALWP GMG2HE	No	Not applicable
911401522944	DN392B LED18/840 PSU D200 AL WP GCG2HE	No	Not applicable
911401527344	DN393B LED25/865 P19PSU D200 AL GMG2HE	No	Not applicable
911401527444	DN393B LED25/840 P19PSU D200 AL GMG2HE	No	Not applicable
911401529744	DN392B LED18/865 P14PSU D200 AL GMG2HE	No	Not applicable
911401529844	DN392B LED18/840 P14PSU D200 AL GMG2HE	No	Not applicable
911401538244	DN393X LED25/840 P20WIA D200 AL G2HE	DALI	1%
911401566944	DN394B LED38/840 P29PSD D200 ALWP GMG2HE	DALI	1%
911401567544	DN393B LED25/840 P20PSD D200 ALWP GMG2HE	DALI	1%
911401568744	DN392B LED18/840 P14PSD D200 ALWP GMG2HE	DALI	1%
911401571444	DN394B LED38/840 P29PSD D200 AL GMG2HE	DALI	1%
911401572644	DN393B LED25/840 P20PSD D200 AL GMG2HE	DALI	1%
911401539944	DN392X LED20/840 P15L1W D150 WH GMG2HE	DALI	1%
911401528944	DN392B LED22/840 P16PSU D150 WH GMG2HE	No	Not applicable
911401531244	DN392B LED20/865 P14PSU D150 WH GMG2HE	No	Not applicable
911401531344	DN392B LED20/840 P14PSU D150 WH GMG2HE	No	Not applicable
911401531444	DN392B LED20/830 P14PSU D150 WH GMG2HE	No	Not applicable
911401532544	DN391B LED13/840 P10PSU D150 WH GMG2HE	No	Not applicable
911401532644	DN391B LED13/830 P10PSU D150 WH GMG2HE	No	Not applicable
911401537344	DN392X LED20/865 P15WIA D150 WH G2HE	DALI	1%
911401538544	DN392X LED20/840 P15WIA D150 WH G2HE	DALI	1%
911401566644	DN392B LED19/840 P14PSD D150 WH GMG2HE	DALI	1%
911401574144	DN392B LED23/840 P17PSD D150 WH GMG2HE	DALI	1%

## Mechanical and Housing

Order Code	Full Product Name	Housing Color	Ingress protection code
911401533644	DN391B LED15/865 P11PSU D100 WH GMG2HE	Aluminum	IP20
911401533744	DN391B LED15/840 P11PSU D100 WH GMG2HE	Aluminum	IP20
911401534244	DN391B LED15/865 PSU D100 WH GCG2HE	Aluminum	IP20
911401534444	DN391B LED15/830 PSU D100 WH GCG2HE	Aluminum	IP20
911401534844	DN391B LED12/865 P10PSU D100 WH GMG2HE	Aluminum	IP20
911401534944	DN391B LED12/840 P10PSU D100 WH GMG2HE	Aluminum	IP20
911401536144	DN390B LED7/865 P6PSU D100 WH GMG2HE	Aluminum	IP20
911401536244	DN390B LED7/840 P6PSU D100 WH GMG2HE	Aluminum	IP20
911401536344	DN390B LED7/830 P6PSU D100 WH GMG2HE	Aluminum	IP20
911401538744	DN391X LED15/840 P12WIA D100WH G2HE	Aluminum	IP20
911401579544	DN391B LED12/840 P10PSD D100 WH GMG2HE	Aluminum and RAL (to be defined)	IP20
911401521944	DN392B LED20/865 P16PSU D150 ALWP GMG2HE	Aluminum	IP20/54
911401522044	DN392B LED20/840 P16PSU D150 ALWP GMG2HE	Aluminum	IP20/54
911401523244	DN392B LED18/840 P14PSU D150 ALWP GMG2HE	Aluminum	IP20/54
911401523844	DN391B LED12/840 P10PSU D150 ALWP GMG2HE	Aluminum	IP20/54
911401528544	DN392B LED20/865 P16PSU D150 AL GMG2HE	Aluminum	IP20
911401530944	DN392B LED18/865 P14PSU D150 AL GMG2HE	Aluminum	IP20
911401531044	DN392B LED18/840 P14PSU D150 AL GMG2HE	Aluminum	IP20
911401532144	DN391B LED12/865 P10PSU D150 AL GMG2HE	Aluminum	IP20
911401532244	DN391B LED12/840 P10PSU D150 AL GMG2HE	Aluminum	IP20
911401537244	DN392X LED18/865 P15WIA D150 AL G2HE	Aluminum	IP20
911401566344	DN392B LED18/840 P14PSD D150 AL GMG2HE	Aluminum and RAL (to be defined)	IP20
911401568144	DN392B LED22/840 P17PSD D150 ALWP GMG2HE	Aluminum and RAL (to be defined)	IP20/54
911401573844	DN392B LED22/840 P17PSD D150 AL GMG2HE	Aluminum and RAL (to be defined)	IP20
911401534544	DN391B LED12/865 P10PSU D100 AL GMG2HE	Aluminum	IP20

Order Code	Full Product Name	Housing Color	Ingress protection code
911401534744	DN391B LED12/830 P10PSU D100 AL GMG2HE	Aluminum	IP20
911401526444	DN394B LED40/865 P29PSU D200 WH GMG2HE	Aluminum	IP20
911401526644	DN394B LED40/830 P29PSU D200 WH GMG2HE	Aluminum	IP20
911401527644	DN393B LED26/865 P19PSU D200 WH GMG2HE	Aluminum	IP20
911401527744	DN393B LED26/840 P19PSU D200 WH GMG2HE	Aluminum	IP20
911401530044	DN392B LED20/865 P14PSU D200 WH GMG2HE	Aluminum	IP20
911401530244	DN392B LED20/830 P14PSU D200 WH GMG2HE	Aluminum	IP20
911401571644	DN394B LED40/865 P29PSD D200 WH GMG2HE	Aluminum and RAL (to be defined)	IP20
911401571744	DN394B LED40/840 P29PSD D200 WH GMG2HE	Aluminum and RAL (to be defined)	IP20
911401572844	DN393B LED26/865 P20PSD D200 WH GMG2HE	Aluminum and RAL (to be defined)	IP20
911401572944	DN393B LED26/840 P20PSD D200 WH GMG2HE	Aluminum and RAL (to be defined)	IP20
911401540344	DN393X LED26/840 P20L1W D200 WH GMG2HE	Aluminum and RAL (to be defined)	IP20
911401520744	DN394B LED38/865 P29PSU D200 ALWP GMG2HE	Aluminum	IP20/54
911401520844	DN394B LED38/840 P29PSU D200 ALWP GMG2HE	Aluminum	IP20/54
911401521344	DN393B LED25/865 P19PSU D200 ALWP GMG2HE	Aluminum	IP20/54
911401522644	DN392B LED18/840 P14PSU D200 ALWP GMG2HE	Aluminum	IP20/54
911401522944	DN392B LED18/840 PSU D200 AL WP GCG2HE	Aluminum	IP20/54
911401527344	DN393B LED25/865 P19PSU D200 AL GMG2HE	Aluminum	IP20
911401527444	DN393B LED25/840 P19PSU D200 AL GMG2HE	Aluminum	IP20
911401529744	DN392B LED18/865 P14PSU D200 AL GMG2HE	Aluminum	IP20
911401529844	DN392B LED18/840 P14PSU D200 AL GMG2HE	Aluminum	IP20
911401538244	DN393X LED25/840 P20WIA D200 AL G2HE	Aluminum	IP20
911401566944	DN394B LED38/840 P29PSD D200 ALWP GMG2HE	Aluminum and RAL (to be defined)	IP20/54
911401567544	DN393B LED25/840 P20PSD D200 ALWP GMG2HE	Aluminum and RAL (to be defined)	IP20/54
911401568744	DN392B LED18/840 P14PSD D200 ALWP GMG2HE	Aluminum and RAL (to be defined)	IP20/54

Order Code	Full Product Name	Housing Color	Ingress protection code
911401571444	DN394B LED38/840 P29PSD D200 AL GMG2HE	Aluminum and RAL (to be defined)	IP20
911401572644	DN393B LED25/840 P20PSD D200 AL GMG2HE	Aluminum and RAL (to be defined)	IP20
911401539944	DN392X LED20/840 P15L1W D150 WH GMG2HE	Aluminum and RAL (to be defined)	IP20
911401528944	DN392B LED22/840 P16PSU D150 WH GMG2HE	Aluminum	IP20
911401531244	DN392B LED20/865 P14PSU D150 WH GMG2HE	Aluminum	IP20
911401531344	DN392B LED20/840 P14PSU D150 WH GMG2HE	Aluminum	IP20
911401531444	DN392B LED20/830 P14PSU D150 WH GMG2HE	Aluminum	IP20

Order Code	Full Product Name	Housing Color	Ingress protection code
911401532544	DN391B LED13/840 P10PSU D150 WH GMG2HE	Aluminum	IP20
911401532644	DN391B LED13/830 P10PSU D150 WH GMG2HE	Aluminum	IP20
911401537344	DN392X LED20/865 P15WIA D150 WH G2HE	Aluminum	IP20
911401538544	DN392X LED20/840 P15WIA D150 WH G2HE	Aluminum	IP20
911401566644	DN392B LED19/840 P14PSD D150 WH GMG2HE	Aluminum and RAL (to be defined)	IP20
911401574144	DN392B LED23/840 P17PSD D150 WH GMG2HE	Aluminum and RAL (to be defined)	IP20

Initial Performance (IEC Compliant)

Order Code	Full Product Name	Initial chromaticity	Luminous flux tolerance
911401533644	DN391B LED15/865 P11PSU D100 WH GMG2HE	5	+/-10%
911401533744	DN391B LED15/840 P11PSU D100 WH GMG2HE	5	+/-10%
911401534244	DN391B LED15/865 PSU D100 WH GCG2HE	5	+/-10%
911401534444	DN391B LED15/830 PSU D100 WH GCG2HE	5	+/-10%
911401534844	DN391B LED12/865 P10PSU D100 WH GMG2HE	5	+/-10%
911401534944	DN391B LED12/840 P10PSU D100 WH GMG2HE	5	+/-10%
911401536144	DN390B LED7/865 P6PSU D100 WH GMG2HE	5	+/-10%
911401536244	DN390B LED7/840 P6PSU D100 WH GMG2HE	5	+/-10%
911401536344	DN390B LED7/830 P6PSU D100 WH GMG2HE	5	+/-10%
911401538744	DN391X LED15/840 P12WIA D100WH G2HE	5	+/-10%
911401579544	DN391B LED12/840 P10PSD D100 WH GMG2HE	5	-10% / +10%
911401521944	DN392B LED20/865 P16PSU D150 ALWP GMG2HE	5	+/-10%
911401522044	DN392B LED20/840 P16PSU D150 ALWP GMG2HE	5	+/-10%
911401523244	DN392B LED18/840 P14PSU D150 ALWP GMG2HE	5	+/-10%
911401523844	DN391B LED12/840 P10PSU D150 ALWP GMG2HE	5	+/-10%

Order Code	Full Product Name	Initial chromaticity	Luminous flux tolerance
911401528544	DN392B LED20/865 P16PSU D150 AL GMG2HE	5	+/-10%
911401530944	DN392B LED18/865 P14PSU D150 AL GMG2HE	5	+/-10%
911401531044	DN392B LED18/840 P14PSU D150 AL GMG2HE	5	+/-10%
911401532144	DN391B LED12/865 P10PSU D150 AL GMG2HE	5	+/-10%
911401532244	DN391B LED12/840 P10PSU D150 AL GMG2HE	5	+/-10%
911401537244	DN392X LED18/865 P15WIA D150 AL G2HE	5	+/-10%
911401566344	DN392B LED18/840 P14PSD D150 AL GMG2HE	5	-10% / +10%
911401568144	DN392B LED22/840 P17PSD D150 ALWP GMG2HE	5	-10% / +10%
911401573844	DN392B LED22/840 P17PSD D150 AL GMG2HE	5	-10% / +10%
911401534544	DN391B LED12/865 P10PSU D100 AL GMG2HE	5	+/-10%
911401534744	DN391B LED12/830 P10PSU D100 AL GMG2HE	5	+/-10%
911401526444	DN394B LED40/865 P29PSU D200 WH GMG2HE	5	+/-10%
911401526644	DN394B LED40/830 P29PSU D200 WH GMG2HE	5	+/-10%
911401527644	DN393B LED26/865 P19PSU D200 WH GMG2HE	5	+/-10%
911401527744	DN393B LED26/840 P19PSU D200 WH GMG2HE	5	+/-10%

Order Code	Full Product Name	Initial chromaticity	Luminous flux tolerance	Order Code	Full Product Name	Initial chromaticity	Luminous flux tolerance
911401530044	DN392B LED20/865 P14PSU D200 WH GMG2HE	5	+/-10%	911401566944	DN394B LED38/840 P29PSD D200 ALWP GMG2HE	5	-10% / +10%
911401530244	DN392B LED20/830 P14PSU D200 WH GMG2HE	5	+/-10%	911401567544	DN393B LED25/840 P20PSD D200 ALWP GMG2HE	5	-10% / +10%
911401571644	DN394B LED40/865 P29PSD D200 WH GMG2HE	5	-10% / +10%	911401568744	DN392B LED18/840 P14PSD D200 ALWP GMG2HE	5	-10% / +10%
911401571744	DN394B LED40/840 P29PSD D200 WH GMG2HE	5	-10% / +10%	911401571444	DN394B LED38/840 P29PSD D200 AL GMG2HE	5	-10% / +10%
911401572844	DN393B LED26/865 P20PSD D200 WH GMG2HE	5	-10% / +10%	911401572644	DN393B LED25/840 P20PSD D200 AL GMG2HE	5	-10% / +10%
911401572944	DN393B LED26/840 P20PSD D200 WH GMG2HE	5	-10% / +10%	911401539944	DN392X LED20/840 P15L1W D150 WH GMG2HE	-	-10% / +10%
911401540344	DN393X LED26/840 P20L1W D200 WH GMG2HE	-	-10% / +10%	911401528944	DN392B LED22/840 P16PSU D150 WH GMG2HE	5	+/-10%
911401520744	DN394B LED38/865 P29PSU D200 ALWP GMG2HE	5	+/-10%	911401531244	DN392B LED20/865 P14PSU D150 WH GMG2HE	5	+/-10%
911401520844	DN394B LED38/840 P29PSU D200 ALWP GMG2HE	5	+/-10%	911401531344	DN392B LED20/840 P14PSU D150 WH GMG2HE	5	+/-10%
911401521344	DN393B LED25/865 P19PSU D200 ALWP GMG2HE	5	+/-10%	911401531444	DN392B LED20/830 P14PSU D150 WH GMG2HE	5	+/-10%
911401522644	DN392B LED18/840 P14PSU D200 ALWP GMG2HE	5	+/-10%	911401532544	DN391B LED13/840 P10PSU D150 WH GMG2HE	5	+/-10%
911401522944	DN392B LED18/840 PSU D200 AL WP GCG2HE	5	+/-10%	911401532644	DN391B LED13/830 P10PSU D150 WH GMG2HE	5	+/-10%
911401527344	DN393B LED25/865 P19PSU D200 AL GMG2HE	5	+/-10%	911401537344	DN392X LED20/865 P15WIA D150 WH G2HE	5	+/-10%
911401527444	DN393B LED25/840 P19PSU D200 AL GMG2HE	5	+/-10%	911401538544	DN392X LED20/840 P15WIA D150 WH G2HE	5	+/-10%
911401529744	DN392B LED18/865 P14PSU D200 AL GMG2HE	5	+/-10%	911401566644	DN392B LED19/840 P14PSD D150 WH GMG2HE	5	-10% / +10%
911401529844	DN392B LED18/840 P14PSU D200 AL GMG2HE	5	+/-10%	911401574144	DN392B LED23/840 P17PSD D150 WH GMG2HE	5	-10% / +10%
911401538244	DN393X LED25/840 P20WIA D200 AL G2HE	5	+/-10%				

