



GreenSpace G6: Low energy LED downlights with high visual comfort

GreenSpace G6

Philips GreenSpace G6 builds on the GreenSpace family's reputation for superb performance, extremely low energy use, and high visual comfort. This next generation of reliable LED downlights comes in a highly-compact design with a deep, recessed architecture and increased reflector depth to highlight the smallest of details. GreenSpace G6 is also a shining example of versatility. This energy-saving LED downlight is available in a comprehensive range of configurations from 600 to 3,550 lumen, with the option to choose fixed, dimmable, or Interact Ready variants. This makes GreenSpace G6 the perfect 'mix and match' solution for potentially broad and extended applications that require different lighting ambiances, with one cohesive luminaire look and feel.

Benefits

- Energy-efficient LED
- Compact design
- Visual comfort
- Option of glossy faceted (UGR19) or matte white reflector
- Durable LED quality and reliability

Features

- High system efficacy - average 120 lm/W
- Deep recessed architecture with increased reflector depth
- Spacious installation area with improved narrow rim width
- 50,000 hours lifetime @L80/B50 Ta 25°C
- DALI and wireless Interact compatible

GreenSpace G6

Application

- Offices
- retail
- Hospitality
- other potential indoor open areas

Specifications

Mounting type	Recessed
Operating Temperature range	-20°C to +40°C
Light Source	LED module
Mains Voltage	220-240V / 50-60Hz
Mains connection	flying cable
Dimming	PSU: non-dimmable PSD: Dimmable via Dali protocol WIA: Wireless control
Control system input	DALI/1-10V/ WIA
Material	Housing: Die-cat Aluminium Reflector: Plastic
Main color of the luminaire	Black heat sink
Lumen maintenance at median useful life 50.000h	L80
Flicker / Pst / SVM	MD<3.2% PST<=0.5 SVM<=1
Luminous flux	4inch: 650lm-800lm, 1100lm-1150lm, 1270-1350lm 6inch: 1150-1200lm, 1700-1800lm, 1860-2000lm 8inch: 1650-1760lm, 2250-2400lm, 3450-3550lm
Power consumption	4inch: 5.8W - 12W 6inch: 9.8W - 16.6W 8inch: 14.2W - 29.3W
Luminaire efficacy	PSU: 105-124lm/W @840 PSD/WIA: 100-122lm/W @840
Correlated color temperature - CCT	3000K, 4000K, 6500

Color Rendering index - CRI	80, 90
Risk Group	RG1
Beam angle	4inch - WH reflector - 78degree 6inch - WH reflector - 82degree 8inch - WH reflector - 83degree 4/6/8inch - Aluminizing reflector - 60degree
Reflector material	WH: Plastic AL: Aluminum coated
Optic	White (WH) UGR 23-26 (NOC) based on lumen output. Aluminizing (AL) UGR<19 (OC)
Protection Class IEC61140	Class II
Mechanical impact protection	IK03
Ingress protection	IP20 / IP54 (light exit window)
Overall diameter	4inch: D100 6inch: D150 8inch: D200
Overall height	4inch: 69mm 6inch: 82mm 8inch: 105mm
UGR	AL coating reflector: UGR19 WH reflector: UGR 23-26
Installation	recessed Fixation by means of spring fasteners

Versions

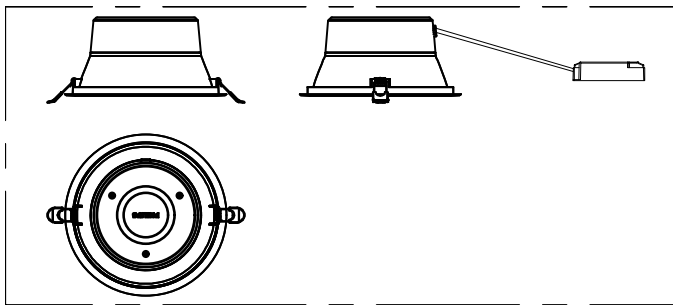
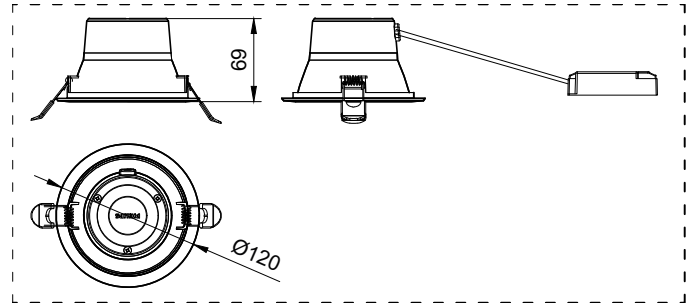
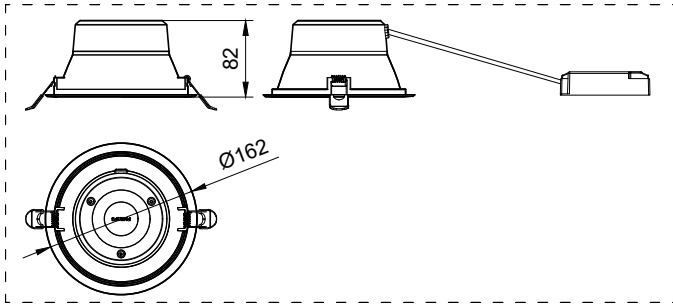


GreenSpace G6



GreenSpace G6

Dimensional drawing



General Information

Driver included	Yes
Gear	-
Number of gear units	-
Service tag	Yes

Light Technical

Color rendering index (CRI)	>80
Number of light sources	1
Optic type	White reflector and opal cover

Operating and Electrical

Protection class IEC	Safety class II
Input Voltage	220 to 240 V
Line Frequency	50 or 60 Hz
Suitable for random switching	No

Controls and Dimming

Dimmable	No
Maximum dim level	Not applicable

Mechanical and Housing

Optical cover type	Polycarbonate Diffuser
Housing Color	Aluminum
Mech. impact protection code	IK03
Ingress protection code	IP20

Approval and Application

Ambient temperature range	-20 to +40 °C
CE mark	Yes
ENEC mark	-
Flammability mark	-
Glow-wire test	Temperature 650 °C, duration 5 s

Initial Performance (IEC Compliant)

Initial chromaticity	5
Luminous flux tolerance	+/-10%

Light Technical

Order Code	Full Product Name	Correlated Color	Luminous Efficacy	
		Temperature (Nom)	(rated) (Nom)	Luminous Flux
911401533744	DN391B LED15/840 P11PSU D100 WH GMG2HE	4000 K	130 lm/W	1,500 lm
911401530044	DN392B LED20/865 P14PSU D200 WH GMG2HE	6500 K	140 lm/W	2,000 lm
911401532444	DN391B LED13/865 P10PSU D150 WH GMG2HE	6500 K	138 lm/W	1,300 lm
911401532544	DN391B LED13/840 P10PSU D150 WH GMG2HE	4000 K	138 lm/W	1,300 lm
911401533044	DN391B LED13/865 PSU D150 WH GCG2HE	6500 K	138 lm/W	1,300 lm

Operating and Electrical

Order Code	Full Product Name	Power Consumption
911401533744	DN391B LED15/840 P11PSU D100 WH GMG2HE	11.4 W
911401530044	DN392B LED20/865 P14PSU D200 WH GMG2HE	14.4 W
911401532444	DN391B LED13/865 P10PSU D150 WH GMG2HE	9.8 W

Order Code	Full Product Name	Power Consumption
911401532544	DN391B LED13/840 P10PSU D150 WH GMG2HE	9.8 W
911401533044	DN391B LED13/865 PSU D150 WH GCG2HE	9.8 W

