



# For top performance and sustainability

## MASTER LED tube T8 UltraEfficient with Recycled Plastic

With energy prices rising and the EU's Green Deal continuing to fund energy efficient building renovations, many are looking into make their company's lighting more sustainable. The new Philips MASTER LEDtube UltraEfficient T8 is a true breakthrough on the way to more sustainable lighting. It replaces your current fluorescent tube or LED tube directly and offers immediately great energy cost reduction as well as a much longer lifetime!

### Benefits

- Absolute performance in energy saving: up to 44% compared with standard LED tube
- Reliable performance of up to 100,000 hours
- Energy cost and CO2 savings from the start

### Features

- Ultra efficiency achieves an incredible class A energy efficiency rating
- Made with on average 40% post-consumer-recycled plastic
- Up to 100,000 hours lifetime
- Rotatable end-cap that gives light where needed
- Shatterproof, passing drop test horizontally from a height of 4m on to a flat concrete according to IEC 61549
- Enable easy implementation of HACCP without need for additional guard, supported by product level NSF certificate

### Application

- Industry & warehouse
- Office, education & retail

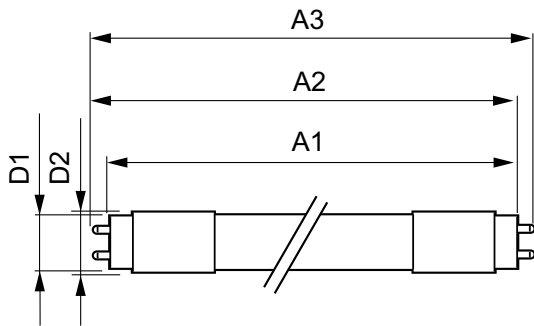
# MASTER LED tube T8 UltraEfficient with Recycled Plastic

## Versions



LEDtube 1200mm 15W G13

## Dimensional drawing



Product	D1	D2	A1	A2	A3
MAS LEDtube 1200mm UE 11.9W 840 T8 EELA	25.8 mm	28 mm	1,198.2 mm	1,205.3 mm	1,212.4 mm
MAS LEDtube 1200mm UE 11.9W 865 T8 EELA	25.8 mm	28 mm	1,198.2 mm	1,205.3 mm	1,212.4 mm

# MASTER LED tube T8 UltraEfficient with Recycled Plastic

## General Information

Cap-Base	G13 Rotatable end-cap
Switching Cycle	200,000
Nominal lifetime	100,000 hour(s)

## Light Technical

Beam Angle (Nom)	160 degree(s)
Color rendering index (CRI)	80
LLMF At End Of Nominal Lifetime (Nom)	70 %
Luminous Flux	2,500 lm

## Operating and Electrical

Input Frequency	50 to 60 Hz
Power Consumption	11.9 W
Starting Time (Nom)	0.5 s
Wattage Equivalent	36 W

## Temperature

T-Case Maximum (Nom)	40 °C
----------------------	-------

## Controls and Dimming

Dimmable	No
----------	----

## Mechanical and Housing

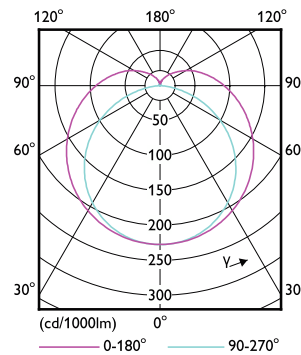
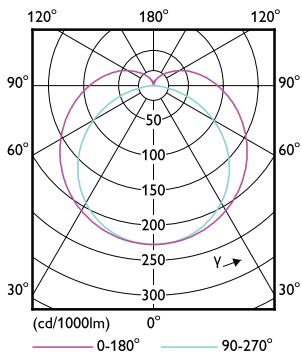
Bulb Finish	Frosted
Bulb Shape	T8

## Approval and Application

Ambient temperature range	-20 to +45 °C
---------------------------	---------------

## Light Technical

Order Code	Full Product Name	Correlated Color Temperature (Nom)	Color Code
28170700	MAS LEDtube 1200mm UE 11.9W 840 T8 EELA	4000 K	840
28172100	MAS LEDtube 1200mm UE 11.9W 865 T8 EELA	6500 K	865



# MASTER LED tube T8 UltraEfficient with Recycled Plastic

