



Trusted performance.

SmartBright LED Downlight DN016

Providing robust & reliable performance. Bright Light with uniform distribution.

Benefits

- Reliable Performance
- Uniform light distribution
- Internal Driver

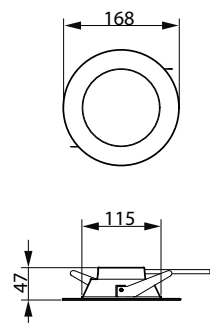
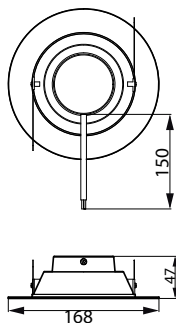
Features

- Cut-out solution from D90~D125
- Providing both DIM & non-dim application
- 30K hr lifetime

Application

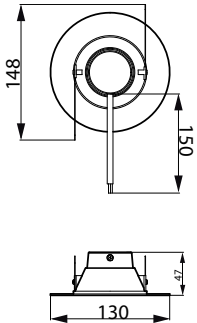
- Hospitality
- Offices
- Residential

Dimensional drawing



SmartBright LED Downlight DN016

Dimensional drawing



General Information	
Driver included	Yes
Light source replaceable	No
Number of gear units	1 unit
Light Technical	
Color rendering index (CRI)	80
Optic type	Wide beam
Operating and Electrical	
Protection class IEC	Safety class I
Suitable for random switching	Not applicable
Mechanical and Housing	
Housing Color	White
Mech. impact protection code	IK03
Ingress protection code	IP20
Approval and Application	
Ambient temperature range	-20 to +40 °C
Flammability mark	For mounting on normally flammable surfaces
Glow-wire test	Temperature 650 °C, duration 30 s
Initial Performance (IEC Compliant)	
Luminous flux tolerance	+/-10%
Over Time Performance (IEC Compliant)	
Driver failure rate at 5000 h	0.012 %

Light Technical

Order Code	Full Product Name	Correlated Color Temperature (Nom)	Luminous Efficacy (rated) (Nom)	Luminous Flux
929002067212	DN016B LED8/WW 10W 100-240V D90 RD ND	3000 K	80.00 lm/W	800 lm
929002067312	DN016B LED8/NW 10W 100-240V D90 RD ND	4000 K	80.00 lm/W	800 lm
929002067412	DN016B LED8/CW 10W 100-240V D90 RD ND	6500 K	80.00 lm/W	800 lm
929002067512	DN016B LED12/WW 15W 100-240V D125 RD ND	3000 K	80.00 lm/W	1,200 lm
929002067612	DN016B LED12/NW 15W 100-240V D125 RD ND	4000 K	80.00 lm/W	1,200 lm
929002067712	DN016B LED12/CW 15W 100-240V D125 RD ND	6500 K	80.00 lm/W	1,200 lm
929002334612	DN016B LED12/WW 15W 127V D125 RD DIM	3000 K	80 lm/W	1,200 lm
929002334712	DN016B LED12/NW 15W 127V D125 RD DIM	4000 K	80 lm/W	1,200 lm
929002334812	DN016B LED12/CW 15W 127V D125 RD DIM	6500 K	80 lm/W	1,200 lm
929002374812	DN016B LED20/WW 20W 100-240V D125 RD ND	3000 K	100 lm/W	2,000 lm
929002374912	DN016B LED20/NW 20W 100-240V D125 RD ND	4000 K	100 lm/W	2,000 lm
929002375012	DN016B LED20/CW 20W 100-240V D125 RD ND	6500 K	100 lm/W	2,000 lm

Operating and Electrical

SmartBright LED Downlight DN016

Order Code	Full Product Name	Input		Power
		Voltage	Line Frequency	Consumption
929002067212	DN016B LED8/WW 10W 100-240V D90 RD ND	100 to 240 V	50 or 60 Hz	10 W
929002067312	DN016B LED8/NW 10W 100-240V D90 RD ND	100 to 240 V	50 or 60 Hz	10 W
929002067412	DN016B LED8/CW 10W 100-240V D90 RD ND	100 to 240 V	50 or 60 Hz	10 W
929002067512	DN016B LED12/WW 15W 100-240V D125 RD ND	100 to 240 V	50 or 60 Hz	15 W
929002067612	DN016B LED12/NW 15W 100-240V D125 RD ND	100 to 240 V	50 or 60 Hz	15 W
929002067712	DN016B LED12/CW 15W 100-240V D125 RD ND	100 to 240 V	50 or 60 Hz	15 W

Order Code	Full Product Name	Input		Power
		Voltage	Line Frequency	Consumption
929002334612	DN016B LED12/WW 15W 127V D125 RD DIM	127 V	60 Hz	15 W
929002334712	DN016B LED12/NW 15W 127V D125 RD DIM	127 V	60 Hz	15 W
929002334812	DN016B LED12/CW 15W 127V D125 RD DIM	127 V	60 Hz	15 W
929002374812	DN016B LED20/WW 20W 100-240V D125 RD ND	100 to 240 V	50 or 60 Hz	20 W
929002374912	DN016B LED20/NW 20W 100-240V D125 RD ND	100 to 240 V	50 or 60 Hz	20 W
929002375012	DN016B LED20/CW 20W 100-240V D125 RD ND	100 to 240 V	50 or 60 Hz	20 W

Controls and Dimming

Order Code	Full Product Name	Dimmable	Maximum dim
			level
929002067212	DN016B LED8/WW 10W 100-240V D90 RD ND	No	-
929002067312	DN016B LED8/NW 10W 100-240V D90 RD ND	No	-
929002067412	DN016B LED8/CW 10W 100-240V D90 RD ND	No	-
929002067512	DN016B LED12/WW 15W 100-240V D125 RD ND	No	-
929002067612	DN016B LED12/NW 15W 100-240V D125 RD ND	No	-
929002067712	DN016B LED12/CW 15W 100-240V D125 RD ND	No	-

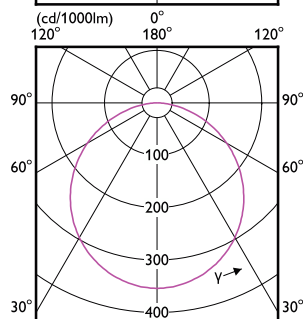
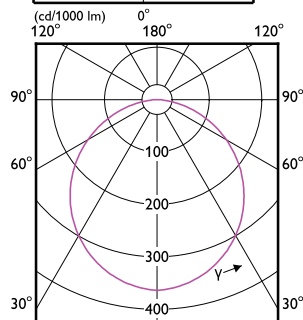
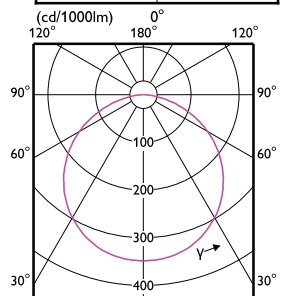
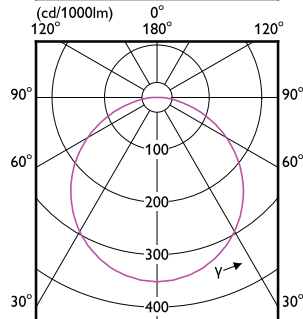
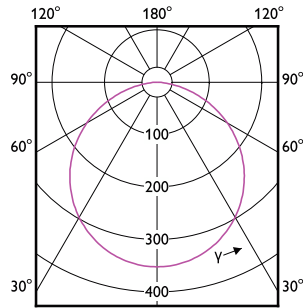
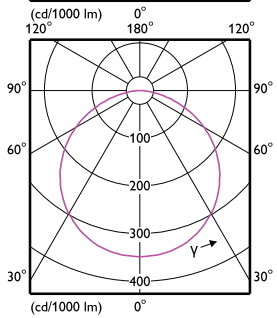
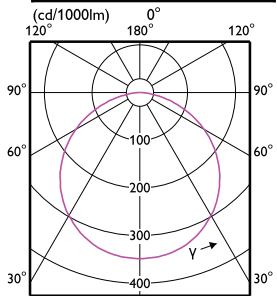
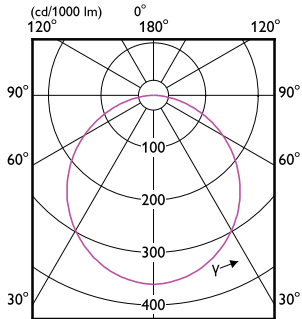
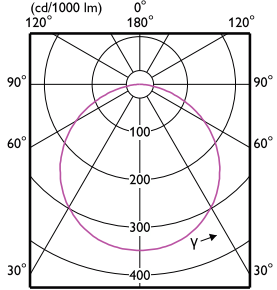
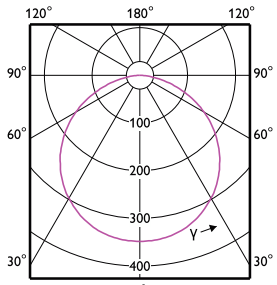
Order Code	Full Product Name	Dimmable	Maximum dim
			level
929002334612	DN016B LED12/WW 15W 127V D125 RD DIM	Yes	10%
929002334712	DN016B LED12/NW 15W 127V D125 RD DIM	Yes	10%
929002334812	DN016B LED12/CW 15W 127V D125 RD DIM	Yes	10%
929002374812	DN016B LED20/WW 20W 100-240V D125 RD ND	No	Not applicable
929002374912	DN016B LED20/NW 20W 100-240V D125 RD ND	No	Not applicable
929002375012	DN016B LED20/CW 20W 100-240V D125 RD ND	No	Not applicable

Initial Performance (IEC Compliant)

Order Code	Full Product Name	Initial chromaticity
929002067212	DN016B LED8/WW 10W 100-240V D90 RD ND	(0.440, 0.4030) 6SDCM
929002067312	DN016B LED8/NW 10W 100-240V D90 RD ND	(0.3818, 0.3797) 6SDCM
929002067412	DN016B LED8/CW 10W 100-240V D90 RD ND	(0.3130, 0.3370) 6SDCM
929002067512	DN016B LED12/WW 15W 100-240V D125 RD ND	(0.440, 0.4030) 6SDCM
929002067612	DN016B LED12/NW 15W 100-240V D125 RD ND	(0.3818, 0.3797) 6SDCM
929002067712	DN016B LED12/CW 15W 100-240V D125 RD ND	(0.3130, 0.3370) 6SDCM
929002334612	DN016B LED12/WW 15W 127V D125 RD DIM	(0.440, 0.4030) 6SDCM

Order Code	Full Product Name	Initial chromaticity
929002334712	DN016B LED12/NW 15W 127V D125 RD DIM	(0.3818, 0.3797) 6SDCM
929002334812	DN016B LED12/CW 15W 127V D125 RD DIM	(0.3130, 0.3370) 6SDCM
929002374812	DN016B LED20/WW 20W 100-240V D125 RD ND	(0.440, 0.4030) 6SDCM
929002374912	DN016B LED20/NW 20W 100-240V D125 RD ND	(0.3818, 0.3797) 6SDCM
929002375012	DN016B LED20/CW 20W 100-240V D125 RD ND	(0.3130, 0.3370) 6SDCM

SmartBright LED Downlight DN016



SmartBright LED Downlight DN016

