



# Glass HID lamps offer a simple & short-payback LED solution to HID replacements and can be used in both indoor and outdoor applications.

## LED Glass HID lamps

Philips Glass HID lamps offer you an easy, short-payback LED solution to replace High Intensity Discharge (HID) lamps. Thanks to our High-Power LED filament technology, this new generation of indoor/outdoor glass lamps brings all the energy-efficiency and long-lifetime benefits of LED to HID replacement, while providing instant savings with a low initial investment. They are designed to have the same aesthetics, lamp size and light distribution as the HID lamps they are replacing, so the upgrade to LED is easier than ever!

### Benefits

- Compact design offering the perfect fit with existing HID fixtures
- Same look and feel as traditional HID lamps
- Lowest initial investment and short payback time

# LED Glass HID lamps

## Features

- Suitable for both Enclosed and open fixtures
- Operational temperature range of -20-45°C
- Built-in Surge protection
- CRI 80 enable suitability for both
- Indoor and Outdoor applications
- Surge 4KV

## Application

- Warehouses
- Parks and Plazas
- Road and Street

## Versions



Product standard image

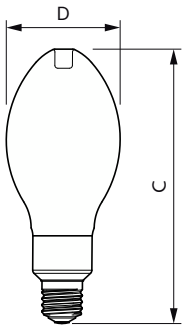


LEDForce Core NAM ED90



Product standard image

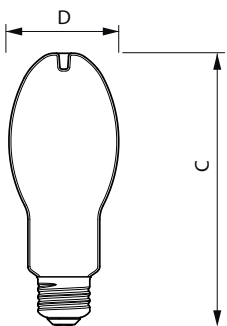
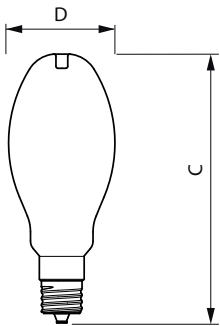
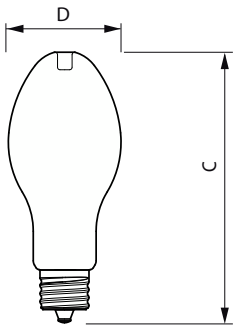
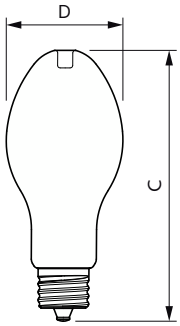
## Dimensional drawing



Product	D	C
19GC/LED/830/ND E26 BB 6/1	76 mm	183 mm
19GC/LED/840/ND E26 BB 6/1	76 mm	183 mm
19GC/LED/850/ND E26 BB 6/1	76 mm	183 mm

# LED Glass HID lamps

## Dimensional drawing



Product	D	C
34GC/LED/830/ND EX39 BB 6/1	91.5 mm	218 mm

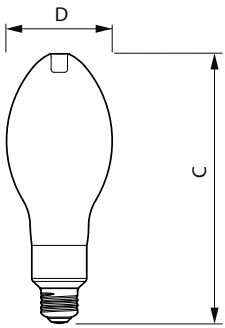
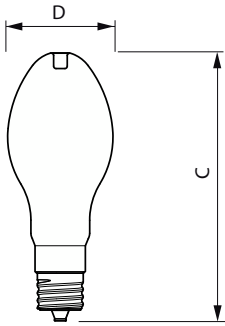
Product	D	C
45GC/LED/830 EX39 BB 6/1	91.5 mm	242 mm
45GC/LED/840 EX39 BB 6/1	91.5 mm	242 mm
45GC/LED/850 EX39 BB 6/1	91.5 mm	242 mm

Product	D	C
54GC/LED/830 EX39 BB 6/1	103.5 mm	243 mm
54GC/LED/840 EX39 BB 6/1	103.5 mm	243 mm
54GC/LED/850 EX39 BB 6/1	103.5 mm	243 mm

Product	D	C
15GC/LED/830/ND E26 BB 6/1	56 mm	138 mm
15GC/LED/840/ND E26 BB 6/1	56 mm	138 mm
15GC/LED/850/ND E26 BB 6/1	56 mm	138 mm

# LED Glass HID lamps

## Dimensional drawing



Product	D	C
34GC/LED/830 EX39 BB 6/1	91.5 mm	216 mm
34GC/LED/840 EX39 BB 6/1	91.5 mm	216 mm
34GC/LED/850 EX39 BB 6/1	91.5 mm	216 mm

Product	D	C
25GC/LED/830/ND E26 BB 6/1	76 mm	196 mm
25GC/LED/840/ND E26 BB 6/1	76 mm	196 mm
25GC/LED/850/ND E26 BB 6/1	76 mm	196 mm

### Light Technical

Beam Angle (Nom)	300 degree(s)
Color rendering index (CRI)	80
LLMF At End Of Nominal Lifetime (Nom)	70 %

### Operating and Electrical

Input Frequency	50 to 60 Hz
Starting Time (Nom)	0.5 s

## General Information

Order Code	Full Product Name	Cap-Base	Switching Cycle	Nominal lifetime
929003773304	45GC/LED/830 EX39 BB 6/1	EX39	50,000	50,000 hour(s)
929003773404	45GC/LED/840 EX39 BB 6/1	EX39	50,000	50,000 hour(s)
929003773504	45GC/LED/850 EX39 BB 6/1	EX39	50,000	50,000 hour(s)
929003773004	34GC/LED/830 EX39 BB 6/1	EX39	50,000	50,000 hour(s)
929003773104	34GC/LED/840 EX39 BB 6/1	EX39	50,000	50,000 hour(s)
929003773204	34GC/LED/850 EX39 BB 6/1	EX39	50,000	50,000 hour(s)
929003508304	34GC/LED/830/ND EX39 BB 6/1	EX39	15,000	25,000 hour(s)
929003773604	54GC/LED/830 EX39 BB 6/1	EX39	50,000	50,000 hour(s)
929003773704	54GC/LED/840 EX39 BB 6/1	EX39	50,000	50,000 hour(s)
929003773804	54GC/LED/850 EX39 BB 6/1	EX39	50,000	50,000 hour(s)
929003772704	25GC/LED/830/ND E26 BB 6/1	E26	50,000	25,000 hour(s)

Order Code	Full Product Name	Cap-Base	Switching Cycle	Nominal lifetime
929003772804	25GC/LED/840/ND E26 BB 6/1	E26	50,000	25,000 hour(s)
929003772904	25GC/LED/850/ND E26 BB 6/1	E26	50,000	25,000 hour(s)
929003772404	15GC/LED/830/ND E26 BB 6/1	E26	50,000	25,000 hour(s)
929003772504	15GC/LED/840/ND E26 BB 6/1	E26	50,000	25,000 hour(s)
929003772604	15GC/LED/850/ND E26 BB 6/1	E26	50,000	25,000 hour(s)
929003507704	19GC/LED/830/ND E26 BB 6/1	E26	15,000	25,000 hour(s)

## LED Glass HID lamps

Order Code	Full Product Name	Cap-Base	Switching Cycle	Nominal lifetime
929003507804	19GC/LED/840/ND E26 BB 6/1	E26	15,000	25,000 hour(s)

Order Code	Full Product Name	Cap-Base	Switching Cycle	Nominal lifetime
929003507904	19GC/LED/850/ND E26 BB 6/1	E26	15,000	25,000 hour(s)

### Light Technical

Order Code	Full Product Name	Correlated Color		Luminous Flux
		Temperature (Nom)	Color Code	
929003773304	45GC/LED/830 EX39 BB 6/1	3000 K	830	6,800 lm
929003773404	45GC/LED/840 EX39 BB 6/1	4000 K	840	7,500 lm
929003773504	45GC/LED/850 EX39 BB 6/1	5000 K	850	7,500 lm
929003773004	34GC/LED/830 EX39 BB 6/1	3000 K	830	5,400 lm
929003773104	34GC/LED/840 EX39 BB 6/1	4000 K	840	6,000 lm
929003773204	34GC/LED/850 EX39 BB 6/1	5000 K	850	6,000 lm
929003508304	34GC/LED/830/ND EX39 BB 6/1	3000 K	830	5,000 lm
929003773604	54GC/LED/830 EX39 BB 6/1	3000 K	830	9,000 lm
929003773704	54GC/LED/840 EX39 BB 6/1	4000 K	840	10,000 lm
929003773804	54GC/LED/850 EX39 BB 6/1	5000 K	850	10,000 lm

Order Code	Full Product Name	Correlated Color		Luminous Flux
		Temperature (Nom)	Color Code	
929003772704	25GC/LED/830/ND E26 BB 6/1	3000 K	830	3,600 lm
929003772804	25GC/LED/840/ND E26 BB 6/1	4000 K	840	4,000 lm
929003772904	25GC/LED/850/ND E26 BB 6/1	5000 K	850	4,000 lm
929003772404	15GC/LED/830/ND E26 BB 6/1	3000 K	830	2,300 lm
929003772504	15GC/LED/840/ND E26 BB 6/1	4000 K	840	2,500 lm
929003772604	15GC/LED/850/ND E26 BB 6/1	5000 K	850	2,500 lm
929003507704	19GC/LED/830/ND E26 BB 6/1	3000 K	830	3,000 lm
929003507804	19GC/LED/840/ND E26 BB 6/1	4000 K	840	3,000 lm
929003507904	19GC/LED/850/ND E26 BB 6/1	5000 K	850	3,000 lm

### Operating and Electrical

Order Code	Full Product Name	Line Frequency	Power Consumption
929003773304	45GC/LED/830 EX39 BB 6/1	-	45 W
929003773404	45GC/LED/840 EX39 BB 6/1	-	45 W
929003773504	45GC/LED/850 EX39 BB 6/1	-	45 W
929003773004	34GC/LED/830 EX39 BB 6/1	-	34 W
929003773104	34GC/LED/840 EX39 BB 6/1	-	34 W
929003773204	34GC/LED/850 EX39 BB 6/1	-	34 W
929003508304	34GC/LED/830/ND EX39 BB 6/1	50 to 60 Hz	34 W
929003773604	54GC/LED/830 EX39 BB 6/1	-	54 W
929003773704	54GC/LED/840 EX39 BB 6/1	-	54 W

Order Code	Full Product Name	Line Frequency	Power Consumption
929003773804	54GC/LED/850 EX39 BB 6/1	-	54 W
929003772704	25GC/LED/830/ND E26 BB 6/1	-	25 W
929003772804	25GC/LED/840/ND E26 BB 6/1	-	25 W
929003772904	25GC/LED/850/ND E26 BB 6/1	-	25 W
929003772404	15GC/LED/830/ND E26 BB 6/1	-	15 W
929003772504	15GC/LED/840/ND E26 BB 6/1	-	15 W
929003772604	15GC/LED/850/ND E26 BB 6/1	-	15 W
929003507704	19GC/LED/830/ND E26 BB 6/1	50 to 60 Hz	19 W
929003507804	19GC/LED/840/ND E26 BB 6/1	50 to 60 Hz	19 W
929003507904	19GC/LED/850/ND E26 BB 6/1	50 to 60 Hz	19 W

### Temperature

Order Code	Full Product Name	T-Case Maximum (Nom)
929003773304	45GC/LED/830 EX39 BB 6/1	56.15 °C
929003773404	45GC/LED/840 EX39 BB 6/1	56.15 °C
929003773504	45GC/LED/850 EX39 BB 6/1	56.15 °C
929003773004	34GC/LED/830 EX39 BB 6/1	55.96 °C

Order Code	Full Product Name	T-Case Maximum (Nom)
929003773104	34GC/LED/840 EX39 BB 6/1	55.96 °C
929003773204	34GC/LED/850 EX39 BB 6/1	55.96 °C
929003508304	34GC/LED/830/ND EX39 BB 6/1	57.6 °C
929003773604	54GC/LED/830 EX39 BB 6/1	46.3 °C

## LED Glass HID lamps

Order Code	Full Product Name	T-Case Maximum (Nom)
929003773704	54GC/LED/840 EX39 BB 6/1	46.3 °C
929003773804	54GC/LED/850 EX39 BB 6/1	46.3 °C
929003772704	25GC/LED/830/ND E26 BB 6/1	47.1 °C
929003772804	25GC/LED/840/ND E26 BB 6/1	47.1 °C
929003772904	25GC/LED/850/ND E26 BB 6/1	47.1 °C
929003772404	15GC/LED/830/ND E26 BB 6/1	44.18 °C

Order Code	Full Product Name	T-Case Maximum (Nom)
929003772504	15GC/LED/840/ND E26 BB 6/1	44.18 °C
929003772604	15GC/LED/850/ND E26 BB 6/1	44.18 °C
929003507704	19GC/LED/830/ND E26 BB 6/1	54.8 °C
929003507804	19GC/LED/840/ND E26 BB 6/1	54.8 °C
929003507904	19GC/LED/850/ND E26 BB 6/1	54.8 °C

### Controls and Dimming

Order Code	Full Product Name	Dimmable
929003773304	45GC/LED/830 EX39 BB 6/1	Only with specific dimmers
929003773404	45GC/LED/840 EX39 BB 6/1	Only with specific dimmers
929003773504	45GC/LED/850 EX39 BB 6/1	Only with specific dimmers
929003773004	34GC/LED/830 EX39 BB 6/1	Only with specific dimmers
929003773104	34GC/LED/840 EX39 BB 6/1	Only with specific dimmers
929003773204	34GC/LED/850 EX39 BB 6/1	Only with specific dimmers
929003508304	34GC/LED/830/ND EX39 BB 6/1	No
929003773604	54GC/LED/830 EX39 BB 6/1	Only with specific dimmers
929003773704	54GC/LED/840 EX39 BB 6/1	Only with specific dimmers
929003773804	54GC/LED/850 EX39 BB 6/1	Only with specific dimmers

Order Code	Full Product Name	Dimmable
929003772704	25GC/LED/830/ND E26 BB 6/1	No
929003772804	25GC/LED/840/ND E26 BB 6/1	No
929003772904	25GC/LED/850/ND E26 BB 6/1	No
929003772404	15GC/LED/830/ND E26 BB 6/1	No
929003772504	15GC/LED/840/ND E26 BB 6/1	No
929003772604	15GC/LED/850/ND E26 BB 6/1	No
929003507704	19GC/LED/830/ND E26 BB 6/1	No
929003507804	19GC/LED/840/ND E26 BB 6/1	No
929003507904	19GC/LED/850/ND E26 BB 6/1	No

### Mechanical and Housing

Order Code	Full Product Name	Bulb Finish	Bulb Shape
929003773304	45GC/LED/830 EX39 BB 6/1	Clear	Oval Glass
929003773404	45GC/LED/840 EX39 BB 6/1	Clear	Oval Glass
929003773504	45GC/LED/850 EX39 BB 6/1	Clear	Oval Glass
929003773004	34GC/LED/830 EX39 BB 6/1	Clear	Oval Glass
929003773104	34GC/LED/840 EX39 BB 6/1	Clear	Oval Glass
929003773204	34GC/LED/850 EX39 BB 6/1	Clear	Oval Glass
929003508304	34GC/LED/830/ND EX39 BB 6/1	Frosted	ED90
929003773604	54GC/LED/830 EX39 BB 6/1	Clear	Oval Glass
929003773704	54GC/LED/840 EX39 BB 6/1	Clear	Oval Glass
929003773804	54GC/LED/850 EX39 BB 6/1	Clear	Oval Glass

Order Code	Full Product Name	Bulb Finish	Bulb Shape
929003772704	25GC/LED/830/ND E26 BB 6/1	Clear	Oval Glass
929003772804	25GC/LED/840/ND E26 BB 6/1	Clear	Oval Glass
929003772904	25GC/LED/850/ND E26 BB 6/1	Clear	Oval Glass
929003772404	15GC/LED/830/ND E26 BB 6/1	Clear	Oval Glass
929003772504	15GC/LED/840/ND E26 BB 6/1	Clear	Oval Glass
929003772604	15GC/LED/850/ND E26 BB 6/1	Clear	Oval Glass
929003507704	19GC/LED/830/ND E26 BB 6/1	Frosted	ED75
929003507804	19GC/LED/840/ND E26 BB 6/1	Frosted	ED75
929003507904	19GC/LED/850/ND E26 BB 6/1	Frosted	ED75

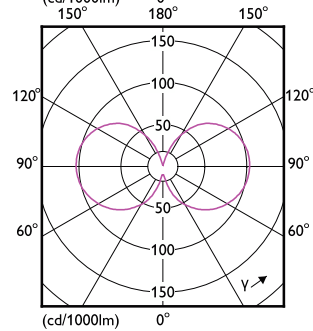
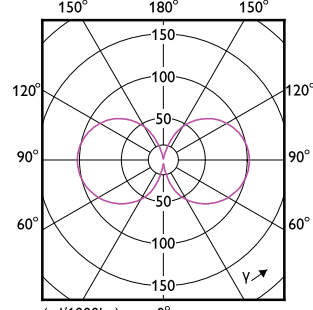
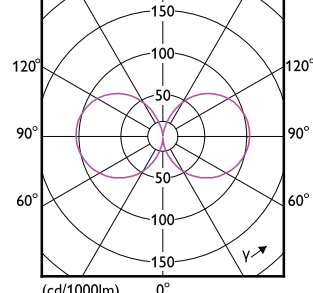
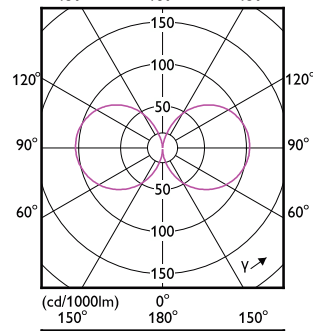
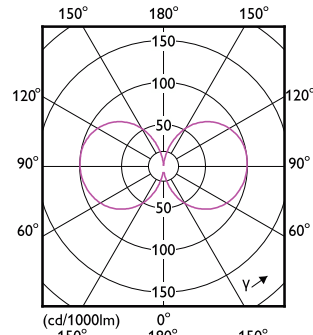
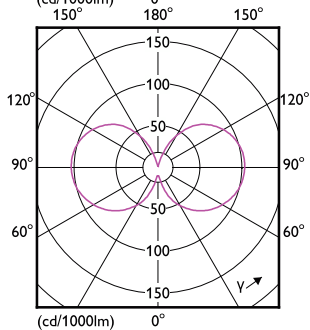
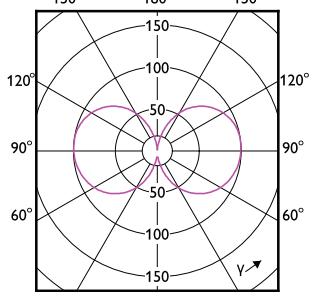
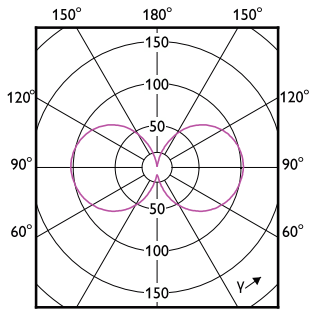
### Approval and Application

Order Code	Full Product Name	Energy	
		Ambient temperature range	Consumption kWh/1000 h
929003773304	45GC/LED/830 EX39 BB 6/1	-20 to +45 °C	45 kWh
929003773404	45GC/LED/840 EX39 BB 6/1	-20 to +45 °C	45 kWh
929003773504	45GC/LED/850 EX39 BB 6/1	-20 to +45 °C	45 kWh
929003773004	34GC/LED/830 EX39 BB 6/1	-20 to +45 °C	34 kWh
929003773104	34GC/LED/840 EX39 BB 6/1	-20 to +45 °C	34 kWh

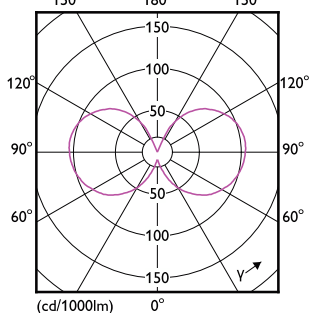
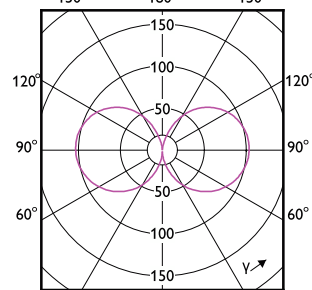
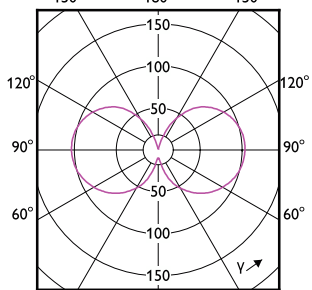
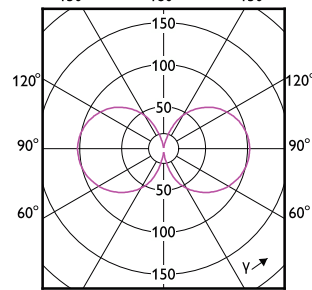
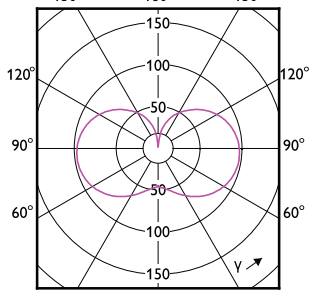
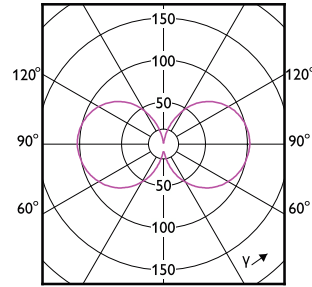
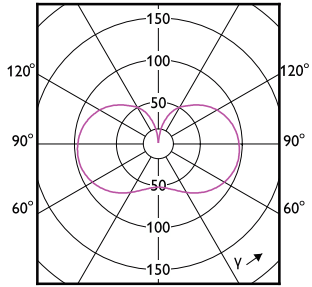
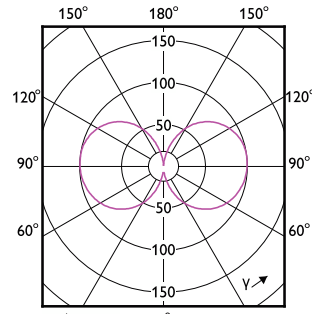
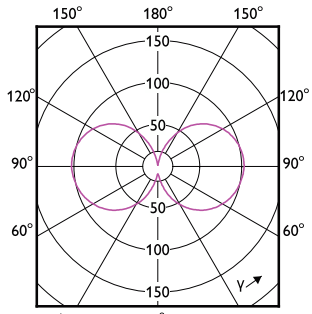
Order Code	Full Product Name	Energy	
		Ambient temperature range	Consumption kWh/1000 h
929003773204	34GC/LED/850 EX39 BB 6/1	-20 to +45 °C	34 kWh
929003508304	34GC/LED/830/ND EX39 BB 6/1	-20 °C to 45 °C	34 kWh
929003773604	54GC/LED/830 EX39 BB 6/1	-20 to +45 °C	54 kWh
929003773704	54GC/LED/840 EX39 BB 6/1	-20 to +45 °C	54 kWh
929003773804	54GC/LED/850 EX39 BB 6/1	-20 to +45 °C	54 kWh

# LED Glass HID lamps

Order Code	Full Product Name	Ambient temperature range	Energy
			Consumption kWh/1000 h
929003772704	25GC/LED/830/ND E26 BB 6/1	-20 to +45 °C	25 kWh
929003772804	25GC/LED/840/ND E26 BB 6/1	-20 to +45 °C	25 kWh
929003772904	25GC/LED/850/ND E26 BB 6/1	-20 to +45 °C	25 kWh
929003772404	15GC/LED/830/ND E26 BB 6/1	-20 to +45 °C	15 kWh
929003772504	15GC/LED/840/ND E26 BB 6/1	-20 to +45 °C	15 kWh
929003772604	15GC/LED/850/ND E26 BB 6/1	-20 to +45 °C	15 kWh
929003507704	19GC/LED/830/ND E26 BB 6/1	-20 °C to 45 °C	19 kWh
929003507804	19GC/LED/840/ND E26 BB 6/1	-20 °C to 45 °C	19 kWh
929003507904	19GC/LED/850/ND E26 BB 6/1	-20 °C to 45 °C	19 kWh



# LED Glass HID lamps



## LED Glass HID lamps

