



For an optimal combination of value and performance

MASTER Value GLASS LED candles and lusters

MASTER Value Glass LED lusters features a classic heritage design, these filament LED lamps combine the familiar shapes of incandescent candles and lusters with the benefits of long-lasting LED technology. These glass LED lusters offer more energy savings than normal LED candles and lusters. At the same time, they also provide customers with a good light experience, enhanced by excellent dimming performance (dimable LED candles). MASTER Value Glass LED lusters and lusters deliver significant energy savings, using 30% less energy compared to normal glass LED candles and provide excellent quality of light. By offering a lifetime of 15,000 hours these dimmable LED candles and lusters also reduce maintenance costs.

Benefits

- Saves 30% energy compared with standard Philips LED candles and lusters
- Very long lifetime that reduces the need for replacements
- Easy retrofit replacement for conventional lamps

Features

- heritage design with classic shapes
- perfect fit and high-quality finish
- Very good light quality with excellent color rendering (CRI>90)
- Designed to be seen, they look good switched on or off
- Environmentally friendly: contains no mercury or other hazardous substances

Application

- Home
- Hospitality

MSTER Value GLASS LED candles and lusters

Versions



LEDlustre MAS P45 E14 CL



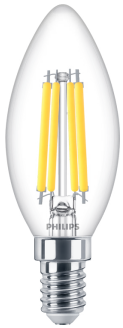
LEDclassic 40W B35 E14 CL
WGD90 SRT4 1



CLA LEDcandle 25W E14 827 FR
P45



CLA LEDcandle 25W E27 827 FR
P45

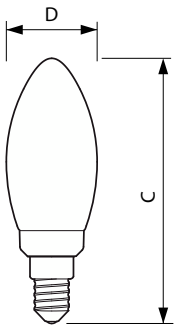


LEDcandle MAS B35 E14 CL



LEDlustre MAS P45 E27 CL

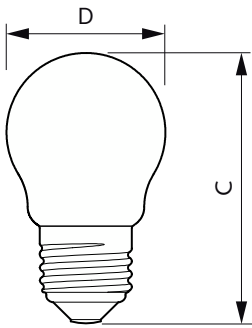
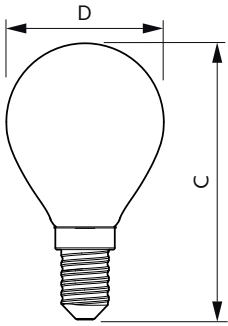
Dimensional drawing



Product	D	C
MAS VLE LEDCandleD3.4-40W E14 B35 927CLG	35 mm	97 mm
MAS VLE LEDCandleDT3.4-40W E14 927B35CLG	35 mm	97 mm

MSTER Value GLASS LED candles and lusters

Dimensional drawing



Product	D	C
MAS VLE LEDLusterD3.4-40W E14 P45 927CLG	45 mm	80 mm
MAS VLE LEDLusterD3.4-40W E14 P45 927FRG	45 mm	80 mm

Product	D	C
MAS VLE LEDLusterD3.4-40W E27 P45 927CLG	45 mm	78 mm
MAS VLE LEDLusterD3.4-40W E27 P45 927FRG	45 mm	78 mm

General Information

Switching Cycle	20,000
Nominal lifetime	15,000 hour(s)

Light Technical

Color rendering index (CRI)	90
LLMF At End Of Nominal Lifetime (Nom)	70 %
Luminous Flux	470 lm

Operating and Electrical

Input Frequency	50 to 60 Hz
Line Frequency	50 to 60 Hz
Power Consumption	3.4 W
Starting Time (Nom)	0.5 s
Wattage Equivalent	40 W

Controls and Dimming

Dimmable	Only with specific dimmers
----------	----------------------------

Approval and Application

Ambient temperature range	-20 to +45 °C
Energy Consumption kWh/1000 h	4 kWh

General Information

Order Code	Full Product Name	Cap-Base
929003060002	MAS VLE LEDLusterD3.4-40W E14 P45 927CLG	E14
929003012202	MAS VLE LEDCandleDT3.4-40W E14 927B35CLG	E14
929003060202	MAS VLE LEDLusterD3.4-40W E14 P45 927FRG	E14
929003060602	MAS VLE LEDLusterD3.4-40W E27 P45 927FRG	E27
929003059502	MAS VLE LEDCandleD3.4-40W E14 B35 927CLG	E14
929003060402	MAS VLE LEDLusterD3.4-40W E27 P45 927CLG	E27

Light Technical

MSTER Value GLASS LED candles and lusters

Order Code	Full Product Name	Beam Angle (Nom)	Correlated Color	
			Temperature (Nom)	Color Code
929003060002	MAS VLE LEDLusterD3.4-40W E14 P45 927CLG	300 degree(s)	2700 K	927
929003012202	MAS VLE LEDCandleDT3.4-40W E14 927B35CLG	-	2200 K	922-927
929003060202	MAS VLE LEDLusterD3.4-40W E14 P45 927FRG	300 degree(s)	2700 K	927

Order Code	Full Product Name	Beam Angle (Nom)	Correlated Color	
			Temperature (Nom)	Color Code
929003060602	MAS VLE LEDLusterD3.4-40W E27 P45 927FRG	300 degree(s)	2700 K	927
929003059502	MAS VLE LEDCandleD3.4-40W E14 B35 927CLG	300 degree(s)	2700 K	927
929003060402	MAS VLE LEDLusterD3.4-40W E27 P45 927CLG	300 degree(s)	2700 K	927

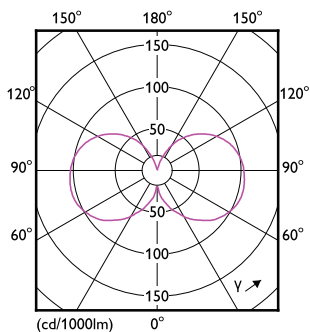
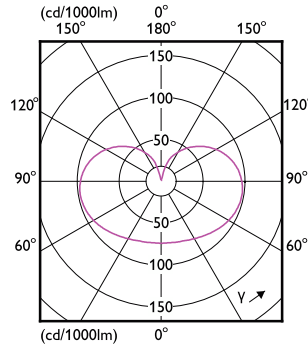
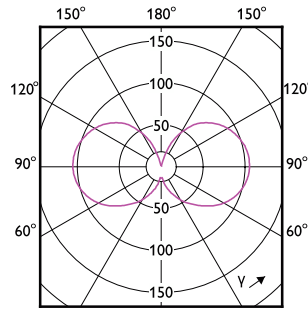
Temperature

Order Code	Full Product Name	T-Case Maximum (Nom)
929003060002	MAS VLE LEDLusterD3.4-40W E14 P45 927CLG	80 °C
929003012202	MAS VLE LEDCandleDT3.4-40W E14 927B35CLG	70 °C
929003060202	MAS VLE LEDLusterD3.4-40W E14 P45 927FRG	80 °C

Order Code	Full Product Name	T-Case Maximum (Nom)
929003060602	MAS VLE LEDLusterD3.4-40W E27 P45 927FRG	80 °C
929003059502	MAS VLE LEDCandleD3.4-40W E14 B35 927CLG	80 °C
929003060402	MAS VLE LEDLusterD3.4-40W E27 P45 927CLG	80 °C

Mechanical and Housing

Order Code	Full Product Name	Bulb Finish	Bulb
			Shape
929003060002	MAS VLE LEDLusterD3.4-40W E14 P45 927CLG	Clear	P45
929003012202	MAS VLE LEDCandleDT3.4-40W E14 927B35CLG	Clear	B35
929003060202	MAS VLE LEDLusterD3.4-40W E14 P45 927FRG	Frosted	P45
929003060602	MAS VLE LEDLusterD3.4-40W E27 P45 927FRG	Frosted	P45
929003059502	MAS VLE LEDCandleD3.4-40W E14 B35 927CLG	Clear	B35
929003060402	MAS VLE LEDLusterD3.4-40W E27 P45 927CLG	Clear	P45



MSTER Value GLASS LED candles and lusters

