



# Dimmable glass LED candles and lustres that meet the high standard for light experience

## MASTER GLASS LED candles and lustres

Featuring a classic heritage design, Classic filament LED Lamps combine the familiar shapes of incandescent candles and lustres with the benefits of the long-lasting LED technology. It is an idea product to provide customers with cosy atmosphere. The MASTER LED candles and lustres can be dimmed for different lumen level and also for the different colour temperature. MASTER Glass Led Bulbs deliver significant energy savings, offering even 30% more compared to normal LED. They provide excellent quality of light. By offering a lifetime of 25,000 hours, the lamps reduce maintenance costs.

### Benefits

- energy-saving, 30% less energy compared with standard Philips LED candles and lustres
- Very long lifetime that reduces the need for replacement
- Easy replacement of conventional lamps

### Features

- heritage design with classic shapes
- perfect fit and high-quality finishing
- Very good light quality with super high colour rendering (CRI>95)
- Designed to be seen, they look good on and off
- Environmentally friendly: contains no mercury or other hazardous substances

# MASTER GLASS LED candles and lustres

## Application

- Domestic application
- Hospitality: restaurants and hotels

## Versions



LEDclassic 40W B35 E14 CL  
WGD90 SRT4 1



LEDclassic 25W B35 E14 CL  
WGD90 SRT4 1



LEDclassic 40W BA35 E14 CL  
WGD90 SRT4 1



LEDclassic 40W P45 E27 CL  
WGD90 SRT4 1



LEDclassic 25W P45 E27 CL  
WGD90 SRT4 1



LEDclassic 25W P45 E14 CL  
WGD90 SRT4 1



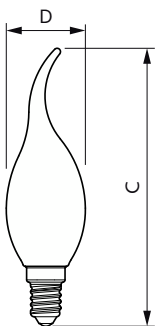
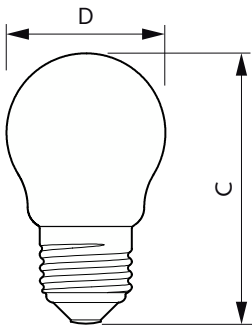
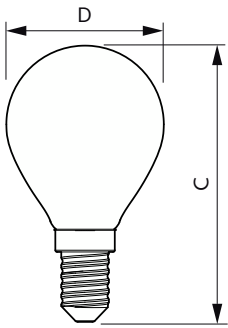
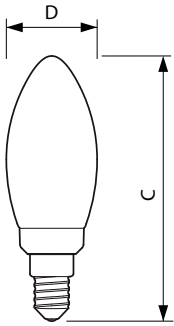
LEDclassic 40W B35 E27 CL  
WGD90 SRT4 1



LEDclassic 40W P45 E14 WGD90  
CL SRT4 1

# MASTER GLASS LED candles and lustres

## Dimensional drawing



Product	D	C
MAS LEDCandleDT2.5-25W E14 B35 CL G	35 mm	97 mm
MAS LEDCandleDT3.4-40W E14 927 B35CL G	35 mm	97 mm
MAS LEDCandleDT3.4-40WE14 927B35CLGUK	35 mm	97 mm
MAS LEDCandleDT5.9-60W E14 927 B35 CL G	35 mm	97 mm

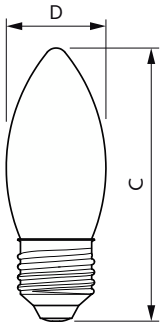
Product	D	C
MAS LEDLusterDT2.5-25W E14 927 P45CL G	45 mm	80 mm
MAS LEDLusterDT3.4-40W E14 927 P45CL G	45 mm	80 mm
MAS LEDLusterDT5.9-60W E14 927 P45 CL G	45 mm	80 mm

Product	D	C
MAS LEDLusterDT2.5-25W E27 927 P45CL G	45 mm	78 mm
MAS LEDLusterDT3.5-40W E27 927 P45CL G	45 mm	78 mm

Product	D	C
MAS LEDCandleDT3.4-40W E14927 BA35CL G	35 mm	119 mm

# MASTER GLASS LED candles and lustres

## Dimensional drawing



Product	D	C
MAS LEDCandleDT3.4-40W E27 927 B35CL G	35 mm	95 mm

General Information	
Switching Cycle	20,000
Nominal lifetime	25,000 h
Light Technical	
Correlated Colour Temperature (Nom)	2200 K
Colour rendering index (CRI)	90
Colour Code	922-927
LLMF at end of nominal lifetime (nom.)	70 %
Operating and Electrical	
Input frequency	50 to 60 Hz
Line Frequency	50 to 60 Hz
Starting time (nom.)	0.5 s
Temperature	
T-Case maximum (nom.)	70 °C
Controls and Dimming	
Dimmable	Only with specific dimmers
Mechanical and Housing	
Lamp Finish	Clear
Approval and Application	
Ambient temperature range	-20°C to 45°C

## General Information

Order Code	Full Product Name	Cap base
929003012242	MAS LEDCandleDT3.4-40WE14 927B35CLGUK	E14
929003012282	MAS LEDCandleDT3.4-40W E14 927 B35CL G	E14
929003013982	MAS LEDCandleDT5.9-60W E14 927 B35 CL G	E14
929003011982	MAS LEDCandleDT2.5-25W E14 B35 CL G	E14
929003013082	MAS LEDCandleDT3.4-40W E14927 BA35CL G	E14
929003013282	MAS LEDLusterDT3.5-40W E27 927 P45CL G	E27
929003012182	MAS LEDLusterDT2.5-25W E27 927 P45CL G	E27
929003012082	MAS LEDLusterDT2.5-25W E14 927 P45CL G	E14
929003012382	MAS LEDCandleDT3.4-40W E27 927 B35CL G	E27
929003013182	MAS LEDLusterDT3.4-40W E14 927 P45CL G	E14
929003014182	MAS LEDLusterDT5.9-60W E14 927 P45 CL G	E14

## Light Technical

Order Code	Full Product Name	Luminous Flux
929003012242	MAS LEDCandleDT3.4-40WE14 927B35CLGUK	470 lm
929003012282	MAS LEDCandleDT3.4-40W E14 927 B35CL G	470 lm
929003013982	MAS LEDCandleDT5.9-60W E14 927 B35 CL G	806 lm
929003011982	MAS LEDCandleDT2.5-25W E14 B35 CL G	340 lm
929003013082	MAS LEDCandleDT3.4-40W E14927 BA35CL G	470 lm
929003013282	MAS LEDLusterDT3.5-40W E27 927 P45CL G	470 lm

Order Code	Full Product Name	Luminous Flux
929003012182	MAS LEDLusterDT2.5-25W E27 927 P45CL G	340 lm
929003012082	MAS LEDLusterDT2.5-25W E14 927 P45CL G	340 lm
929003012382	MAS LEDCandleDT3.4-40W E27 927 B35CL G	470 lm
929003013182	MAS LEDLusterDT3.4-40W E14 927 P45CL G	470 lm
929003014182	MAS LEDLusterDT5.9-60W E14 927 P45 CL G	806 lm

## Operating and Electrical

# MASTER GLASS LED candles and lustres

Order Code	Full Product Name	Power Consumption	Wattage equivalent
929003012242	MAS LEDCandleDT3.4-40WE14 927B35CLGUK	3.4 W	40 W
929003012282	MAS LEDCandleDT3.4-40W E14 927 B35CL G	3.4 W	40 W
929003013982	MAS LEDCandleDT5.9-60W E14 927 B35 CL G	5.9 W	60 W
929003011982	MAS LEDCandleDT2.5-25W E14 B35 CL G	2.5 W	25 W
929003013082	MAS LEDCandleDT3.4-40W E14927 BA35CL G	3.4 W	40 W
929003013282	MAS LEDLusterDT3.5-40W E27 927 P45CL G	3.4 W	40 W

Order Code	Full Product Name	Power Consumption	Wattage equivalent
929003012182	MAS LEDLusterDT2.5-25W E27 927 P45CL G	2.5 W	25 W
929003012082	MAS LEDLusterDT2.5-25W E14 927 P45CL G	2.5 W	25 W
929003012382	MAS LEDCandleDT3.4-40W E27 927 B35CL G	3.4 W	40 W
929003013182	MAS LEDLusterDT3.4-40W E14 927 P45CL G	3.4 W	40 W
929003014182	MAS LEDLusterDT5.9-60W E14 927 P45 CL G	5.9 W	60 W

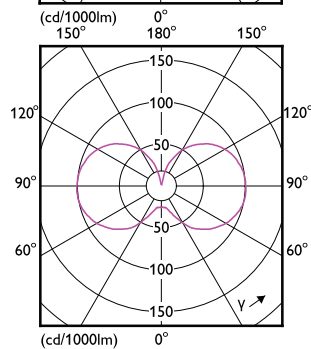
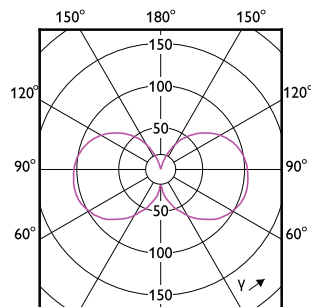
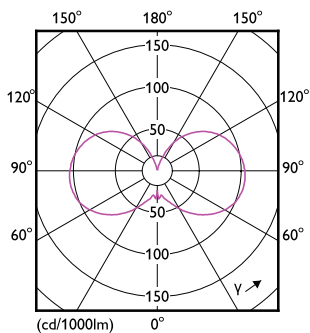
## Mechanical and Housing

Order Code	Full Product Name	Bulb shape
929003012242	MAS LEDCandleDT3.4-40WE14 927B35CLGUK	B35
929003012282	MAS LEDCandleDT3.4-40W E14 927 B35CL G	B35
929003013982	MAS LEDCandleDT5.9-60W E14 927 B35 CL G	B35
929003011982	MAS LEDCandleDT2.5-25W E14 B35 CL G	B35
929003013082	MAS LEDCandleDT3.4-40W E14927 BA35CL G	BA35
929003013282	MAS LEDLusterDT3.5-40W E27 927 P45CL G	P45

Order Code	Full Product Name	Bulb shape
929003012182	MAS LEDLusterDT2.5-25W E27 927 P45CL G	P45
929003012082	MAS LEDLusterDT2.5-25W E14 927 P45CL G	P45
929003012382	MAS LEDCandleDT3.4-40W E27 927 B35CL G	B35
929003013182	MAS LEDLusterDT3.4-40W E14 927 P45CL G	P45
929003014182	MAS LEDLusterDT5.9-60W E14 927 P45 CL G	P45

## Approval and Application

Order Code	Full Product Name	Energy consumption kWh/1,000 hours
929003012242	MAS LEDCandleDT3.4-40WE14 927B35CLGUK	4 kWh
929003012282	MAS LEDCandleDT3.4-40W E14 927 B35CL G	4 kWh
929003013982	MAS LEDCandleDT5.9-60W E14 927 B35 CL G	6 kWh
929003011982	MAS LEDCandleDT2.5-25W E14 B35 CL G	3 kWh
929003013082	MAS LEDCandleDT3.4-40W E14927 BA35CL G	4 kWh
929003013282	MAS LEDLusterDT3.5-40W E27 927 P45CL G	4 kWh
929003012182	MAS LEDLusterDT2.5-25W E27 927 P45CL G	3 kWh
929003012082	MAS LEDLusterDT2.5-25W E14 927 P45CL G	3 kWh
929003012382	MAS LEDCandleDT3.4-40W E27 927 B35CL G	4 kWh
929003013182	MAS LEDLusterDT3.4-40W E14 927 P45CL G	4 kWh
929003014182	MAS LEDLusterDT5.9-60W E14 927 P45 CL G	6 kWh



# MASTER GLASS LED candles and lustres

