



Dimmable glass LED candles and lusters that meet the high standard for light experience

MASTER GLASS LED candles and lusters

Featuring a classic heritage design, Classic filament LED Lamps combine the familiar shapes of incandescent candles and lusters with the benefits of the long-lasting LED technology. It is an idea product to provide customers with cozy atmosphere. The MASTER LED candles and lusters can be dimmed for different lumen level and also for the different color temperature. MASTER Glass Led Bulbs deliver significant energy savings, offering even 30% more compared to normal LED and provides excellent quality of light. By offering a lifetime of 25,000 hours it reduces maintenance costs.

Benefits

- energy saving, 30% less energy compared with standard Philips LED candle and luster
- Very long lifetime that reduces the need for replacement
- Easy replacement of conventional lamps

Features

- heritage design with classic shapes
- perfect fit and high quality finishing
- Very good light quality with super high color rendering (CRI>95)
- Designed to be seen, they look good on and off
- Environmentally friendly: contains no mercury or other hazardous substances

MASTER GLASS LED candles and lusters

Application

- Domestic application
- Hospitality: restaurants and hotels

Versions



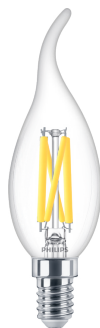
LEDclassic 40W B35 E14 CL
WGD90 SRT4 1



LEDclassic 25W B35 E14 CL
WGD90 SRT4 1



CLA LEDcandle 25W E27 827 FR
P45



LEDclassic 40W BA35 E14 CL
WGD90 SRT4 1



LEDclassic 40W P45 E27 CL
WGD90 SRT4 1



LEDclassic 25W P45 E27 CL
WGD90 SRT4 1



LEDclassic 25W P45 E14 CL
WGD90 SRT4 1



LEDclassic 40W B35 E27 CL
WGD90 SRT4 1

MASTER GLASS LED candles and lusters

Versions

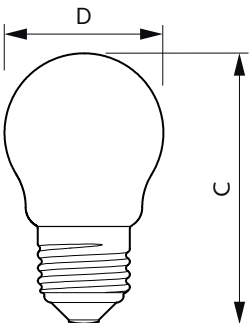
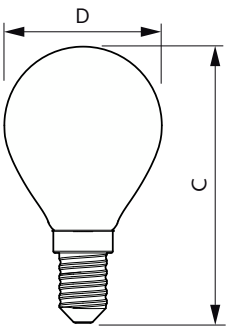
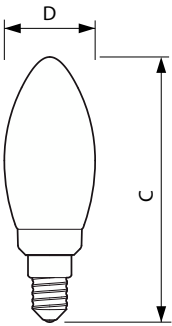


LEDclassic 25W BA35 E14 CL
WGD90 SRT4 1



LEDclassic 40W P45 E14 WGD90
CL SRT4 1

Dimensional drawing



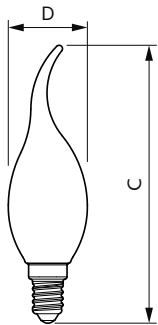
Product	D	C
MAS LEDCandleDT2.5-25W E14 B35 CL G	35 mm	97 mm
MAS LEDCandleDT3.4-40W E14 927 B35CL G	35 mm	97 mm
MAS LEDCandleDT3.4-40WE14 927B35CLGUK	35 mm	97 mm
MAS LEDCandleDT5.9-60W E14 927 B35 CL G	35 mm	97 mm

Product	D	C
MAS LEDLusterDT2.5-25W E14 927 P45CL G	45 mm	80 mm
MAS LEDLusterDT3.4-40W E14 927 P45CL G	45 mm	80 mm
MAS LEDLusterDT5.9-60W E14 927 P45 CL G	45 mm	80 mm

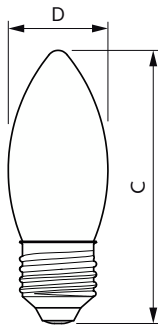
Product	D	C
MAS LEDLusterDT2.5-25W E27 927 P45CL G	45 mm	78 mm
MAS LEDLusterDT3.5-40W E27 927 P45CL G	45 mm	78 mm
MAS LEDLusterDT3.5-40W E27 927 P45FR G	45 mm	78 mm
MAS LEDLusterDT5.9-60W E27 927 P45CL G	45 mm	78 mm

MASTER GLASS LED candles and lusters

Dimensional drawing



Product	D	C
MAS LEDCandleDT2.5-25W E14 BA35 CL G	35 mm	119 mm
MAS LEDCandleDT3.4-40W E14927 BA35CL G	35 mm	119 mm



Product	D	C
MAS LEDCandleDT3.4-40W E27 927 B35CL G	35 mm	95 mm

MASTER GLASS LED candles and lusters

General Information	
Switching Cycle	20,000
Nominal lifetime	25,000 hour(s)
Light Technical	
Correlated Color Temperature (Nom)	2200 K
Color rendering index (CRI)	90
Color Code	922-927
LLMF At End Of Nominal Lifetime (Nom)	70 %
Operating and Electrical	
Input Frequency	50 to 60 Hz
Line Frequency	50 to 60 Hz
Starting Time (Nom)	0.5 s
Temperature	
T-Case Maximum (Nom)	70 °C
Controls and Dimming	
Dimmable	Only with specific dimmers
Mechanical and Housing	
Bulb Finish	Clear
Approval and Application	
Ambient temperature range	-20 °C to 45 °C

General Information

Order Code	Full Product Name	Cap-Base
929003012242	MAS LEDCandleDT3.4-40WE14 927B35CLGUK	E14
929003012282	MAS LEDCandleDT3.4-40W E14 927 B35CL G	E14
929003013982	MAS LEDCandleDT5.9-60W E14 927 B35 CL G	E14
929003011982	MAS LEDCandleDT2.5-25W E14 B35 CL G	E14
929003013682	MAS LEDLusterDT3.5-40W E27 927 P45FR G	E27
929003013082	MAS LEDCandleDT3.4-40W E14927 BA35CL G	E14
929003013282	MAS LEDLusterDT3.5-40W E27 927 P45CL G	E27
929003014382	MAS LEDLusterDT5.9-60W E27 927 P45CL G	E27
929003012182	MAS LEDLusterDT2.5-25W E27 927 P45CL G	E27
929003012082	MAS LEDLusterDT2.5-25W E14 927 P45CL G	E14
929003012382	MAS LEDCandleDT3.4-40W E27 927 B35CL G	E27
929003071302	MAS LEDCandleDT2.5-25W E14 BA35 CL G	E14
929003013182	MAS LEDLusterDT3.4-40W E14 927 P45CL G	E14
929003014182	MAS LEDLusterDT5.9-60W E14 927 P45 CL G	E14

Light Technical

Order Code	Full Product Name	Luminous Flux
929003012242	MAS LEDCandleDT3.4-40WE14 927B35CLGUK	470 lm
929003012282	MAS LEDCandleDT3.4-40W E14 927 B35CL G	470 lm
929003013982	MAS LEDCandleDT5.9-60W E14 927 B35 CL G	806 lm
929003011982	MAS LEDCandleDT2.5-25W E14 B35 CL G	340 lm
929003013682	MAS LEDLusterDT3.5-40W E27 927 P45FR G	470 lm
929003013082	MAS LEDCandleDT3.4-40W E14927 BA35CL G	470 lm
929003013282	MAS LEDLusterDT3.5-40W E27 927 P45CL G	470 lm

Order Code	Full Product Name	Luminous Flux
929003014382	MAS LEDLusterDT5.9-60W E27 927 P45CL G	806 lm
929003012182	MAS LEDLusterDT2.5-25W E27 927 P45CL G	340 lm
929003012082	MAS LEDLusterDT2.5-25W E14 927 P45CL G	340 lm
929003012382	MAS LEDCandleDT3.4-40W E27 927 B35CL G	470 lm
929003071302	MAS LEDCandleDT2.5-25W E14 BA35 CL G	340 lm
929003013182	MAS LEDLusterDT3.4-40W E14 927 P45CL G	470 lm
929003014182	MAS LEDLusterDT5.9-60W E14 927 P45 CL G	806 lm

Operating and Electrical

Order Code	Full Product Name	Power Consumption	Wattage Equivalent
929003012242	MAS LEDCandleDT3.4-40WE14 927B35CLGUK	3.4 W	40 W
929003012282	MAS LEDCandleDT3.4-40W E14 927 B35CL G	3.4 W	40 W
929003013982	MAS LEDCandleDT5.9-60W E14 927 B35 CL G	5.9 W	60 W
929003011982	MAS LEDCandleDT2.5-25W E14 B35 CL G	2.5 W	25 W

Order Code	Full Product Name	Power Consumption	Wattage Equivalent
929003013682	MAS LEDLusterDT3.5-40W E27 927 P45FR G	3.4 W	40 W
929003013082	MAS LEDCandleDT3.4-40W E14927 BA35CL G	3.4 W	40 W
929003013282	MAS LEDLusterDT3.5-40W E27 927 P45CL G	3.4 W	40 W
929003014382	MAS LEDLusterDT5.9-60W E27 927 P45CL G	5.9 W	60 W

MASTER GLASS LED candles and lusters

Order Code	Full Product Name	Power	Wattage
		Consumption	Equivalent
929003012182	MAS LEDLusterDT2.5-25W E27 927 P45CL G	2.5 W	25 W
929003012082	MAS LEDLusterDT2.5-25W E14 927 P45CL G	2.5 W	25 W
929003012382	MAS LEDCandleDT3.4-40W E27 927 B35CL G	3.4 W	40 W

Order Code	Full Product Name	Power	Wattage
		Consumption	Equivalent
929003071302	MAS LEDCandleDT2.5-25W E14 BA35 CL G	2.5 W	25 W
929003013182	MAS LEDLusterDT3.4-40W E14 927 P45CL G	3.4 W	40 W
929003014182	MAS LEDLusterDT5.9-60W E14 927 P45 CL G	5.9 W	60 W

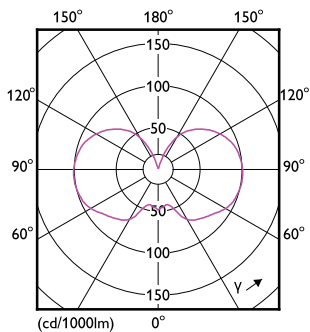
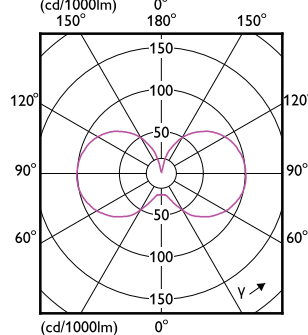
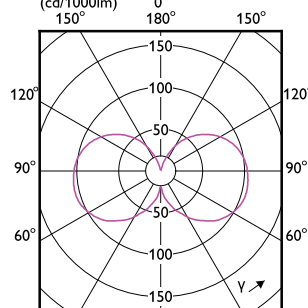
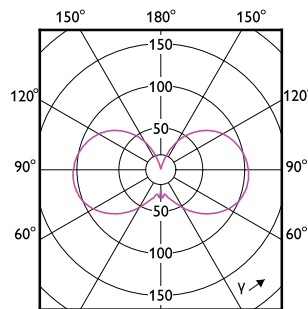
Mechanical and Housing

Order Code	Full Product Name	Bulb Shape
929003012242	MAS LEDCandleDT3.4-40WE14 927B35CLGUK	B35
929003012282	MAS LEDCandleDT3.4-40W E14 927 B35CL G	B35
929003013982	MAS LEDCandleDT5.9-60W E14 927 B35 CL G	B35
929003011982	MAS LEDCandleDT2.5-25W E14 B35 CL G	B35
929003013682	MAS LEDLusterDT3.5-40W E27 927 P45FR G	P45
929003013082	MAS LEDCandleDT3.4-40W E14927 BA35CL G	BA35
929003013282	MAS LEDLusterDT3.5-40W E27 927 P45CL G	P45

Order Code	Full Product Name	Bulb Shape
929003014382	MAS LEDLusterDT5.9-60W E27 927 P45CL G	P45
929003012182	MAS LEDLusterDT2.5-25W E27 927 P45CL G	P45
929003012082	MAS LEDLusterDT2.5-25W E14 927 P45CL G	P45
929003012382	MAS LEDCandleDT3.4-40W E27 927 B35CL G	B35
929003071302	MAS LEDCandleDT2.5-25W E14 BA35 CL G	BA35
929003013182	MAS LEDLusterDT3.4-40W E14 927 P45CL G	P45
929003014182	MAS LEDLusterDT5.9-60W E14 927 P45 CL G	P45

Approval and Application

Order Code	Full Product Name	Energy Consumption kWh/1000 h
929003012242	MAS LEDCandleDT3.4-40WE14 927B35CLGUK	4 kWh
929003012282	MAS LEDCandleDT3.4-40W E14 927 B35CL G	4 kWh
929003013982	MAS LEDCandleDT5.9-60W E14 927 B35 CL G	6 kWh
929003011982	MAS LEDCandleDT2.5-25W E14 B35 CL G	3 kWh
929003013682	MAS LEDLusterDT3.5-40W E27 927 P45FR G	4 kWh
929003013082	MAS LEDCandleDT3.4-40W E14927 BA35CL G	4 kWh
929003013282	MAS LEDLusterDT3.5-40W E27 927 P45CL G	4 kWh
929003014382	MAS LEDLusterDT5.9-60W E27 927 P45CL G	6 kWh
929003012182	MAS LEDLusterDT2.5-25W E27 927 P45CL G	3 kWh
929003012082	MAS LEDLusterDT2.5-25W E14 927 P45CL G	3 kWh
929003012382	MAS LEDCandleDT3.4-40W E27 927 B35CL G	4 kWh
929003071302	MAS LEDCandleDT2.5-25W E14 BA35 CL G	3 kWh
929003013182	MAS LEDLusterDT3.4-40W E14 927 P45CL G	4 kWh
929003014182	MAS LEDLusterDT5.9-60W E14 927 P45 CL G	6 kWh



MASTER GLASS LED candles and lusters

