



For an optimal combination of value and performance

MASTER Value Glass LED bulbs

Featuring a classic heritage design, these filament LED bulbs combine the familiar shapes of incandescent bulbs with the benefits of long-lasting LED technology. These MASTER Value Glass LED bulbs offer more energy savings than normal glass LED bulbs. At the same time, they also provide customers with good light experience, enhanced by excellent dimming performance (dimmable glass LED bulbs). MASTER Value Glass LED Bulbs deliver significant energy savings, using 30% less energy compared to normal LED bulbs and provide excellent quality of light. By offering a lifetime of 15,000 hours, these dimmable LED bulbs also reduce maintenance costs.

Benefits

- Saves 30% energy compared with standard Philips LED bulbs
- Very long lifetime that reduces the need for replacements
- Easy retrofit replacement for conventional lamps

Features

- heritage design with classic shapes
- perfect fit and high-quality finish
- Very good light quality with excellent color rendering (CRI>90)
- Designed to be seen, they look good switched on or off
- Environmentally friendly: contains no mercury or other hazardous substances

Application

- Home
- Hospitality

MASTER Value Glass LED bulbs

Versions



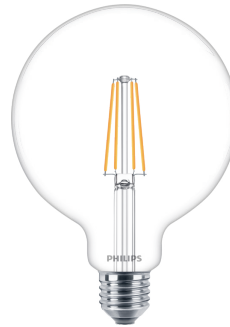
LEDclassic 60W A60 E27 CL
WGD90 SRT4 1



LEDbulb MAS A60 E27 CL 1



LEDbulb MAS A60 E27 CL 4



LEDbulb MAS G120 E27 CL



LEDclassic CM A60 E27 CL POS2



LEDclassic 60W G93 E27 CL
WGD90 1PF 4 1



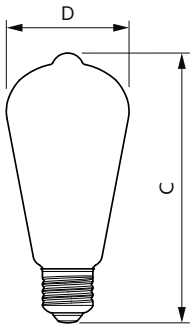
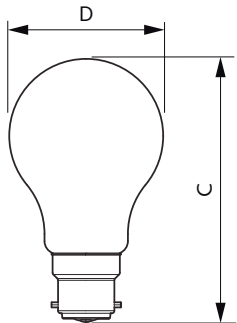
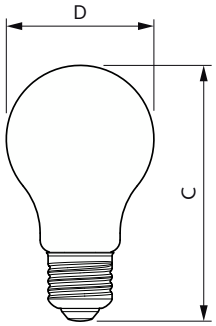
LEDclassic 60W ST64 E27 CL
WGD90 SRT4 1



LEDbulb MAS ST64 E27 CL

MASTER Value Glass LED bulbs

Dimensional drawing



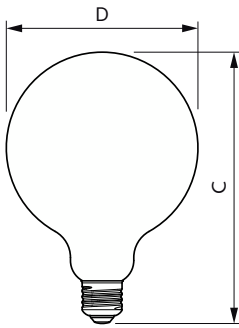
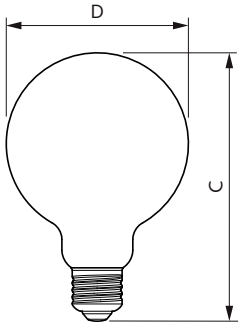
Product	D	C
MAS VLE LEDBulb D5.9-60W E27 927 A60CLG	60 mm	104 mm
MAS VLE LEDBulb D5.9-60W E27 927 A60 FRG	60 mm	104 mm
MAS VLE LEDBulb D7.8-75W E27 927 A60 CLG	60 mm	104 mm
MAS VLE LEDBulb D7.8-75W E27 927 A60 FRG	60 mm	104 mm
MAS VLE LEDBulbD11.2-100W E27 927 A60CLG	60 mm	108 mm
MAS VLE LEDBulbD11.2-100W E27 927 A60FRG	60 mm	108 mm
MAS VLE LEDBulbD11.2-100W E27 940A60CLG	60 mm	108 mm
MAS VLE LEDBulbD11.2-100W E27 940A60FRG	60 mm	108 mm
MAS VLE LEDBulbD3.4-40W E27 927 A60 CL G	60 mm	104 mm
MAS VLE LEDBulbD3.4-40W E27 927 A60 FR G	60 mm	104 mm
MAS VLE LEDBulbD3.4-40W E27 940 A60CL G	60 mm	104 mm
MAS VLE LEDBulbD3.4-40W E27 940 A60FR G	60 mm	104 mm
MAS VLE LEDBulbD5.9-60W E27 940 A60CL G	60 mm	104 mm
MAS VLE LEDBulbD5.9-60W E27 940 A60FR G	60 mm	104 mm
MAS VLE LEDBulbD7.2-50W E27 A60 827 CM G	60 mm	106 mm
MAS VLE LEDBulbD7.8-75W E27 940 A60CL G	60 mm	104 mm
MAS VLE LEDBulbD7.8-75W E27 940 A60FR G	60 mm	104 mm
MAS VLE LEDBulbDT5.9-60W E27 927A60CL G	60 mm	104 mm
MASVLELEDBulb D5.9-60W E27 927A60FR G UK	60 mm	104 mm

Product	D	C
MASVLE LEDBulbD10.5-100W B22A60 927FRGUK	60 mm	107 mm
MASVLE LEDBulbD5.9-60W B22A60 927FR G UK	60 mm	103 mm

Product	D	C
MAS VLE LEDBulb D5.9-60W E27 927 ST64CLG	64 mm	140 mm
MAS VLE LEDBulb DT5.9-60W E27 927ST64CLG	64 mm	140 mm

MASTER Value Glass LED bulbs

Dimensional drawing



Product	D	C
MAS VLE LEDBulb DT5.9-60W E27 927G93CL G	95 mm	137 mm

Product	D	C
MAS VLE LEDBulb D5.9-60W E27 927 G120CLG	124 mm	178 mm

General Information

Switching Cycle	20,000
Nominal lifetime	15,000 hour(s)

Light Technical

LLMF At End Of Nominal Lifetime (Nom)	70 %
---------------------------------------	------

Operating and Electrical

Input Frequency	50 to 60 Hz
Line Frequency	50 to 60 Hz
Starting Time (Nom)	0.5 s

Controls and Dimming

Dimmable	Only with specific dimmers
----------	----------------------------

General Information

Order Code	Full Product Name	Cap-Base	Order Code	Full Product Name	Cap-Base
929003010302	MAS VLE LEDBulbDT5.9-60W E27 927A60CL G	E27	929003058102	MAS VLE LEDBulb D7.8-75W E27 927 A60 FRG	E27
929003057902	MAS VLE LEDBulb D7.8-75W E27 927 A60 CLG	E27	929003058502	MAS VLE LEDBulbD11.2-100W E27 927 A60FRG	E27
929003526802	MAS VLE LEDBulbD7.8-75W E27 940 A60CL G	E27	929003070702	MAS VLE LEDBulbD3.4-40W E27 927 A60 FR G	E27
929003058302	MAS VLE LEDBulbD11.2-100W E27 927 A60CLG	E27	929003527002	MAS VLE LEDBulbD3.4-40W E27 940 A60FR G	E27
929003526902	MAS VLE LEDBulbD11.2-100W E27 940A60CLG	E27	929003527102	MAS VLE LEDBulbD5.9-60W E27 940 A60FR G	E27
929003057702	MAS VLE LEDBulb D5.9-60W E27 927 A60 FRG	E27	929003527202	MAS VLE LEDBulbD7.8-75W E27 940 A60FR G	E27
929003057799	MASVLELEDBulb D5.9-60W E27 927A60FR G UK	E27	929003527302	MAS VLE LEDBulbD11.2-100W E27 940A60FRG	E27

MASTER Value Glass LED bulbs

Order Code	Full Product Name	Cap-Base	Order Code	Full Product Name	Cap-Base
929003057502	MAS VLE LEDBulb D5.9-60W E27 927 A60CLG	E27	929003011899	MASVLE LEDBulbD10.5-100W B22A60 927FRGUK	B22
929003526702	MAS VLE LEDBulbD5.9-60W E27 940 A60CL G	E27	929002412802	MAS VLE LEDBulbD7.2-50W E27 A60 827 CM G	E27
929003070502	MAS VLE LEDBulbD3.4-40W E27 927 A60 CL G	E27	929003010902	MAS VLE LEDBulb DT5.9-60W E27 927G93CL G	E27
929003526602	MAS VLE LEDBulbD3.4-40W E27 940 A60CL G	E27	929003010702	MAS VLE LEDBulb DT5.9-60W E27 927ST64CLG	E27
929003059302	MAS VLE LEDBulb D5.9-60W E27 927 G120CLG	E27	929003059402	MAS VLE LEDBulb D5.9-60W E27 927 ST64CLG	E27
929003010699	MASVLE LEDBulbD5.9-60W B22A60 927FR G UK	B22			

Light Technical

Order Code	Full Product Name	Beam Angle (Nom)	Correlated Color Temperature (Nom)	Color rendering index		
				(CRI)	Color Code	Luminous Flux
929003010302	MAS VLE LEDBulbDT5.9-60W E27 927A60CL G	-	2200 K	90	922-927	806 lm
929003057902	MAS VLE LEDBulb D7.8-75W E27 927 A60 CLG	300 degree(s)	2700 K	90	927	1,055 lm
929003526802	MAS VLE LEDBulbD7.8-75W E27 940 A60CL G	300 degree(s)	4000 K	90	940	1,055 lm
929003058302	MAS VLE LEDBulbD11.2-100W E27 927 A60CLG	300 degree(s)	2700 K	90	927	1,521 lm
929003526902	MAS VLE LEDBulbD11.2-100W E27 940A60CLG	300 degree(s)	4000 K	90	940	1,521 lm
929003057702	MAS VLE LEDBulb D5.9-60W E27 927 A60 FRG	300 degree(s)	2700 K	90	927	806 lm
929003057799	MASVLELEDBulb D5.9-60W E27 927A60FR G UK	300 degree(s)	2700 K	90	927	806 lm
929003058102	MAS VLE LEDBulb D7.8-75W E27 927 A60 FRG	300 degree(s)	2700 K	90	927	1,055 lm
929003058502	MAS VLE LEDBulbD11.2-100W E27 927 A60FRG	300 degree(s)	2700 K	90	927	1,521 lm
929003070702	MAS VLE LEDBulbD3.4-40W E27 927 A60 FR G	300 degree(s)	2700 K	90	927	470 lm
929003527002	MAS VLE LEDBulbD3.4-40W E27 940 A60FR G	300 degree(s)	4000 K	90	940	470 lm
929003527102	MAS VLE LEDBulbD5.9-60W E27 940 A60FR G	300 degree(s)	4000 K	90	940	806 lm
929003527202	MAS VLE LEDBulbD7.8-75W E27 940 A60FR G	300 degree(s)	4000 K	90	940	1,055 lm
929003527302	MAS VLE LEDBulbD11.2-100W E27 940A60FRG	300 degree(s)	4000 K	90	940	1,521 lm
929003057502	MAS VLE LEDBulb D5.9-60W E27 927 A60CLG	300 degree(s)	2700 K	90	927	806 lm
929003526702	MAS VLE LEDBulbD5.9-60W E27 940 A60CL G	300 degree(s)	4000 K	90	940	806 lm
929003070502	MAS VLE LEDBulbD3.4-40W E27 927 A60 CL G	300 degree(s)	2700 K	90	927	470 lm
929003526602	MAS VLE LEDBulbD3.4-40W E27 940 A60CL G	300 degree(s)	4000 K	90	940	470 lm
929003059302	MAS VLE LEDBulb D5.9-60W E27 927 G120CLG	300 degree(s)	2700 K	90	927	806 lm
929003010699	MASVLE LEDBulbD5.9-60W B22A60 927FR G UK	300 degree(s)	2700 K	90	927	806 lm
929003011899	MASVLE LEDBulbD10.5-100W B22A60 927FRGUK	300 degree(s)	2700 K	90	927	1,521 lm
929002412802	MAS VLE LEDBulbD7.2-50W E27 A60 827 CM G	270 degree(s)	2700 K	80	827	650 lm
929003010902	MAS VLE LEDBulb DT5.9-60W E27 927G93CL G	300 degree(s)	2200 K	90	922-927	806 lm
929003010702	MAS VLE LEDBulb DT5.9-60W E27 927ST64CLG	300 degree(s)	2200 K	90	922-927	806 lm
929003059402	MAS VLE LEDBulb D5.9-60W E27 927 ST64CLG	300 degree(s)	2700 K	90	927	806 lm

Operating and Electrical

Order Code	Full Product Name	Power	Wattage	Order Code	Full Product Name	Power	Wattage
		Consumption	Equivalent			Consumption	Equivalent
929003010302	MAS VLE LEDBulbDT5.9-60W E27 927A60CL G	5.9 W	60 W	929003057702	MAS VLE LEDBulb D5.9-60W E27 927 A60 FRG	5.9 W	60 W
929003057902	MAS VLE LEDBulb D7.8-75W E27 927 A60 CLG	7.8 W	75 W	929003057799	MASVLELEDBulb D5.9-60W E27 927A60FR G UK	5.9 W	60 W
929003526802	MAS VLE LEDBulbD7.8-75W E27 940 A60CL G	7.8 W	75 W	929003058102	MAS VLE LEDBulb D7.8-75W E27 927 A60 FRG	7.8 W	75 W
929003058302	MAS VLE LEDBulbD11.2-100W E27 927 A60CLG	11.2 W	100 W	929003058502	MAS VLE LEDBulbD11.2-100W E27 927 A60FRG	11.2 W	100 W
929003526902	MAS VLE LEDBulbD11.2-100W E27 940A60CLG	11.2 W	100 W	929003070702	MAS VLE LEDBulbD3.4-40W E27 927 A60 FR G	3.4 W	40 W

MASTER Value Glass LED bulbs

Order Code	Full Product Name	Power	Wattage
		Consumption	Equivalent
929003527002	MAS VLE LEDBulbD3.4-40W E27 940 A60FR G	3.4 W	40 W
929003527102	MAS VLE LEDBulbD5.9-60W E27 940 A60FR G	5.9 W	60 W
929003527202	MAS VLE LEDBulbD7.8-75W E27 940 A60FR G	7.8 W	75 W
929003527302	MAS VLE LEDBulbD11.2-100W E27 940A60FRG	11.2 W	100 W
929003057502	MAS VLE LEDBulb D5.9-60W E27 927 A60CLG	5.9 W	60 W
929003526702	MAS VLE LEDBulbD5.9-60W E27 940 A60CL G	5.9 W	60 W
929003070502	MAS VLE LEDBulbD3.4-40W E27 927 A60 CL G	3.4 W	40 W
929003526602	MAS VLE LEDBulbD3.4-40W E27 940 A60CL G	3.4 W	40 W

Order Code	Full Product Name	Power	Wattage
		Consumption	Equivalent
929003059302	MAS VLE LEDBulb D5.9-60W E27 927 G120CLG	5.9 W	60 W
929003010699	MASVLE LEDBulbD5.9-60W B22A60 927FR G UK	5.9 W	60 W
929003011899	MASVLE LEDBulbD10.5-100W B22A60 927FRGUK	10.5 W	100 W
929002412802	MAS VLE LEDBulbD7.2-50W E27 A60 827 CM G	7.2 W	50 W
929003010902	MAS VLE LEDBulb DT5.9-60W E27 927G93CL G	5.9 W	60 W
929003010702	MAS VLE LEDBulb DT5.9-60W E27 927ST64CLG	5.9 W	60 W
929003059402	MAS VLE LEDBulb D5.9-60W E27 927 ST64CLG	5.9 W	60 W

Temperature

Order Code	Full Product Name	T-Case Maximum (Nom)
929003010302	MAS VLE LEDBulbDT5.9-60W E27 927A60CL G	70 °C
929003057902	MAS VLE LEDBulb D7.8-75W E27 927 A60 CLG	80 °C
929003526802	MAS VLE LEDBulbD7.8-75W E27 940 A60CL G	80 °C
929003058302	MAS VLE LEDBulbD11.2-100W E27 927 A60CLG	80 °C
929003526902	MAS VLE LEDBulbD11.2-100W E27 940A60CLG	80 °C
929003057702	MAS VLE LEDBulb D5.9-60W E27 927 A60 FRG	80 °C
929003057799	MASVLELED Bulb D5.9-60W E27 927A60FR G UK	80 °C
929003058102	MAS VLE LEDBulb D7.8-75W E27 927 A60 FRG	80 °C
929003058502	MAS VLE LEDBulbD11.2-100W E27 927 A60FRG	80 °C
929003070702	MAS VLE LEDBulbD3.4-40W E27 927 A60 FR G	80 °C
929003527002	MAS VLE LEDBulbD3.4-40W E27 940 A60FR G	80 °C
929003527102	MAS VLE LEDBulbD5.9-60W E27 940 A60FR G	80 °C
929003527202	MAS VLE LEDBulbD7.8-75W E27 940 A60FR G	80 °C

Order Code	Full Product Name	T-Case Maximum (Nom)
929003527302	MAS VLE LEDBulbD11.2-100W E27 940A60FRG	80 °C
929003057502	MAS VLE LEDBulb D5.9-60W E27 927 A60CLG	80 °C
929003526702	MAS VLE LEDBulbD5.9-60W E27 940 A60CL G	80 °C
929003070502	MAS VLE LEDBulbD3.4-40W E27 927 A60 CL G	80 °C
929003526602	MAS VLE LEDBulbD3.4-40W E27 940 A60CL G	80 °C
929003059302	MAS VLE LEDBulb D5.9-60W E27 927 G120CLG	80 °C
929003010699	MASVLE LEDBulbD5.9-60W B22A60 927FR G UK	70 °C
929003011899	MASVLE LEDBulbD10.5-100W B22A60 927FRGUK	70 °C
929002412802	MAS VLE LEDBulbD7.2-50W E27 A60 827 CM G	55 °C
929003010902	MAS VLE LEDBulb DT5.9-60W E27 927G93CL G	70 °C
929003010702	MAS VLE LEDBulb DT5.9-60W E27 927ST64CLG	70 °C
929003059402	MAS VLE LEDBulb D5.9-60W E27 927 ST64CLG	80 °C

Mechanical and Housing

Order Code	Full Product Name	Bulb Finish	Bulb
			Shape
929003010302	MAS VLE LEDBulbDT5.9-60W E27 927A60CL G	Clear	A60
929003057902	MAS VLE LEDBulb D7.8-75W E27 927 A60 CLG	Clear	A60
929003526802	MAS VLE LEDBulbD7.8-75W E27 940 A60CL G	Clear	A60
929003058302	MAS VLE LEDBulbD11.2-100W E27 927 A60CLG	Clear	A60
929003526902	MAS VLE LEDBulbD11.2-100W E27 940A60CLG	Clear	A60

Order Code	Full Product Name	Bulb Finish	Bulb
			Shape
929003057702	MAS VLE LEDBulb D5.9-60W E27 927 A60 FRG	Frosted	A60
929003057799	MASVLELED Bulb D5.9-60W E27 927A60FR G UK	Frosted	A60
929003058102	MAS VLE LEDBulb D7.8-75W E27 927 A60 FRG	Frosted	A60
929003058502	MAS VLE LEDBulbD11.2-100W E27 927 A60FRG	Frosted	A60
929003070702	MAS VLE LEDBulbD3.4-40W E27 927 A60 FR G	Frosted	A60

MASTER Value Glass LED bulbs

Order Code	Full Product Name	Bulb Finish	Bulb Shape
929003527002	MAS VLE LEDBulbD3.4-40W E27 940 A60FR G	Frosted	A60
929003527102	MAS VLE LEDBulbD5.9-60W E27 940 A60FR G	Frosted	A60
929003527202	MAS VLE LEDBulbD7.8-75W E27 940 A60FR G	Frosted	A60
929003527302	MAS VLE LEDBulbD11.2-100W E27 940A60FRG	Frosted	A60
929003057502	MAS VLE LEDBulb D5.9-60W E27 927 A60CLG	Clear	A60
929003526702	MAS VLE LEDBulbD5.9-60W E27 940 A60CL G	Clear	A60
929003070502	MAS VLE LEDBulbD3.4-40W E27 927 A60 CL G	Clear	A60
929003526602	MAS VLE LEDBulbD3.4-40W E27 940 A60CL G	Clear	A60

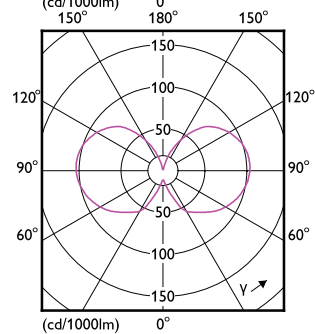
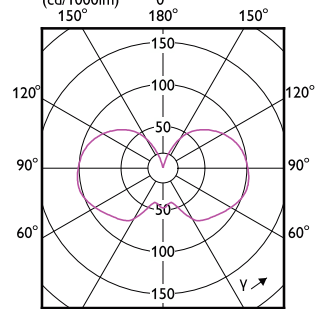
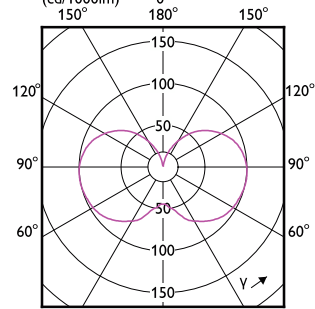
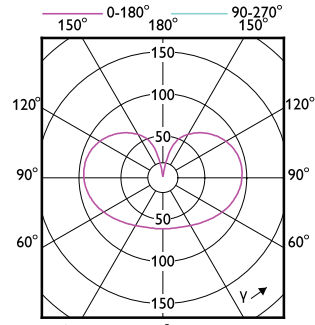
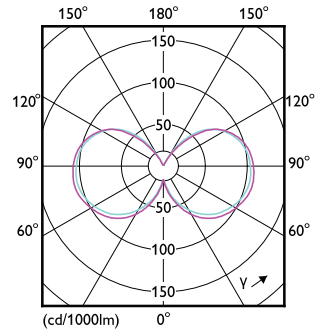
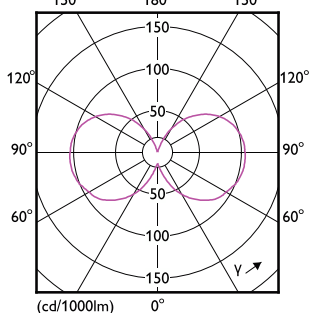
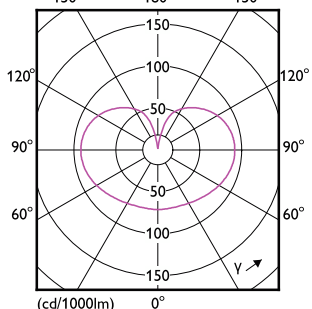
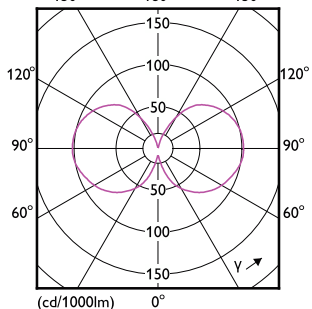
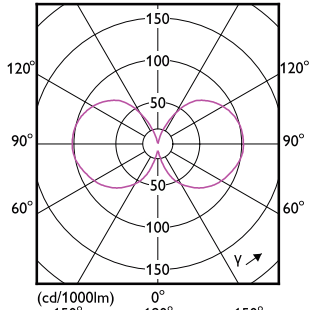
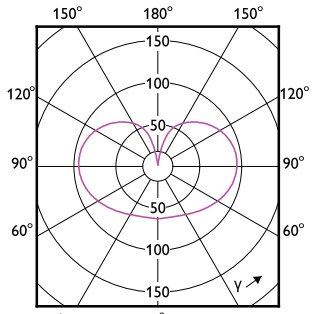
Order Code	Full Product Name	Bulb Finish	Bulb Shape
929003059302	MAS VLE LEDBulb D5.9-60W E27 927 G120CLG	Clear	G120
929003010699	MASVLE LEDBulbD5.9-60W B22A60 927FR G UK	Frosted	A60
929003011899	MASVLE LEDBulbD10.5-100W B22A60 927FRGUK	Frosted	A60
929002412802	MAS VLE LEDBulbD7.2-50W E27 A60 827 CM G	Mirror Crown	A60
929003010902	MAS VLE LEDBulb DT5.9-60W E27 927G93CL G	Clear	G93
929003010702	MAS VLE LEDBulb DT5.9-60W E27 927ST64CLG	Clear	ST64
929003059402	MAS VLE LEDBulb D5.9-60W E27 927 ST64CLG	Clear	ST64

Approval and Application

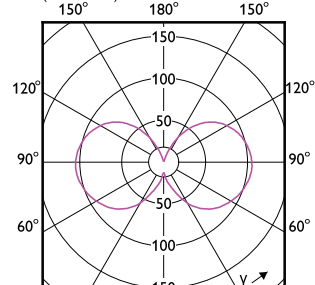
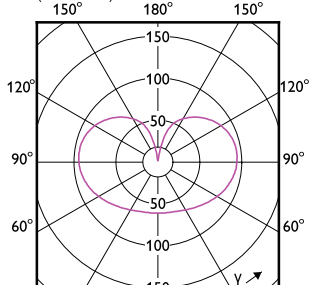
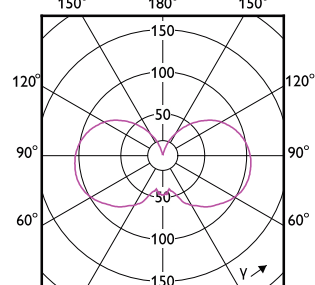
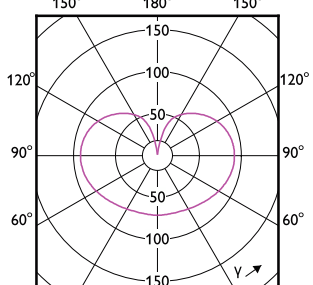
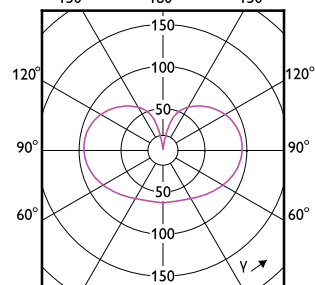
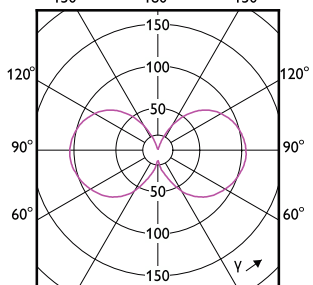
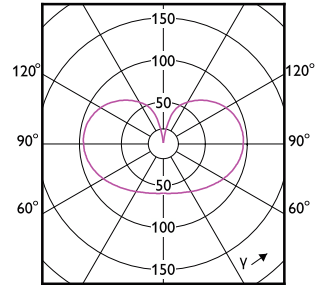
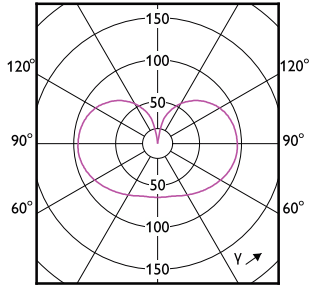
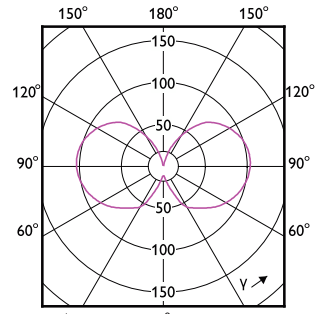
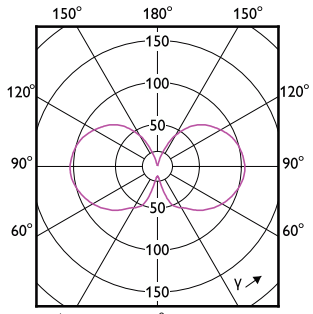
Order Code	Full Product Name	Ambient temperature range	Energy Consumption kWh/1000 h
929003010302	MAS VLE LEDBulbDT5.9-60W E27 927A60CL G	-20 to +45 °C	6 kWh
929003057902	MAS VLE LEDBulb D7.8-75W E27 927 A60 CLG	-20 to +45 °C	8 kWh
929003526802	MAS VLE LEDBulbD7.8-75W E27 940 A60CL G	-20 °C to 45 °C	8 kWh
929003058302	MAS VLE LEDBulbD11.2-100W E27 927 A60CLG	-20 to +45 °C	12 kWh
929003526902	MAS VLE LEDBulbD11.2-100W E27 940A60CLG	-20 °C to 45 °C	12 kWh
929003057702	MAS VLE LEDBulb D5.9-60W E27 927 A60 FRG	-20 to +45 °C	6 kWh
929003057799	MASVLELEDBulb D5.9-60W E27 927A60FR G UK	-20 to +45 °C	6 kWh
929003058102	MAS VLE LEDBulb D7.8-75W E27 927 A60 FRG	-20 to +45 °C	8 kWh
929003058502	MAS VLE LEDBulbD11.2-100W E27 927 A60FRG	-20 to +45 °C	12 kWh
929003070702	MAS VLE LEDBulbD3.4-40W E27 927 A60 FR G	-20 to +45 °C	4 kWh
929003527002	MAS VLE LEDBulbD3.4-40W E27 940 A60FR G	-20 °C to 45 °C	4 kWh
929003527102	MAS VLE LEDBulbD5.9-60W E27 940 A60FR G	-20 °C to 45 °C	6 kWh
929003527202	MAS VLE LEDBulbD7.8-75W E27 940 A60FR G	-20 °C to 45 °C	8 kWh
929003527302	MAS VLE LEDBulbD11.2-100W E27 940A60FRG	-20 °C to 45 °C	12 kWh

Order Code	Full Product Name	Ambient temperature range	Energy Consumption kWh/1000 h
929003057502	MAS VLE LEDBulb D5.9-60W E27 927 A60CLG	-20 to +45 °C	6 kWh
929003526702	MAS VLE LEDBulbD5.9-60W E27 940 A60CL G	-20 °C to 45 °C	6 kWh
929003070502	MAS VLE LEDBulbD3.4-40W E27 927 A60 CL G	-20 to +45 °C	4 kWh
929003526602	MAS VLE LEDBulbD3.4-40W E27 940 A60CL G	-20 °C to 45 °C	4 kWh
929003059302	MAS VLE LEDBulb D5.9-60W E27 927 G120CLG	-20 to +45 °C	6 kWh
929003010699	MASVLE LEDBulbD5.9-60W B22A60 927FR G UK	-20 to +45 °C	6 kWh
929003011899	MASVLE LEDBulbD10.5-100W B22A60 927FRGUK	-20 to +45 °C	11 kWh
929002412802	MAS VLE LEDBulbD7.2-50W E27 A60 827 CM G	-20 to +45 °C	8 kWh
929003010902	MAS VLE LEDBulb DT5.9-60W E27 927G93CL G	-20 to +45 °C	6 kWh
929003010702	MAS VLE LEDBulb DT5.9-60W E27 927ST64CLG	-20 to +45 °C	6 kWh
929003059402	MAS VLE LEDBulb D5.9-60W E27 927 ST64CLG	-20 to +45 °C	6 kWh

MASTER Value Glass LED bulbs



MASTER Value Glass LED bulbs



MASTER Value Glass LED bulbs

