



For top performance and sustainability

MASTER Glass LED bulbs

Featuring a classic heritage design, these filament MASTER glass bulbs combine the familiar shapes of incandescent glass LED bulbs with the benefits of long-lasting LED technology. Ideal for creating a cozy atmosphere for customers, these glass LED bulbs provide excellent quality of light. MASTER glass bulbs can be dimmed for different lumen levels and color temperatures (dimmable glass led bulbs). They also deliver significant energy savings, using 30% less energy compared to normal LED bulbs. By offering a lifetime of 25,000 hours, these dimmable glass LED bulbs also reduce maintenance costs.

Benefits

- Saves 30% energy compared with standard Philips LED bulbs
- Very long lifetime that reduces the need for replacements
- Easy retrofit replacement for conventional lamps

Features

- heritage design with classic shapes
- perfect fit and high-quality finish
- Very good light quality with excellent color rendering (CRI>95)
- Designed to be seen, they look good switched on or off
- Environmentally friendly: contains no mercury or other hazardous substances

Application

- Home
- Hospitality

MASTER Glass LED bulbs

Versions



Bulb A67 100W 1521lm 2700K E27
NDFrosted



LEDclassic 100W A60 E27 CL
WGD90 SRT4 1

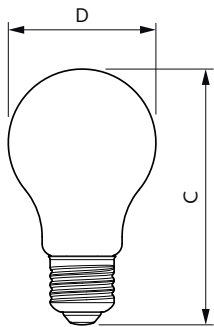


LEDclassic 75W A60 E27 CL
WGD90 SRT4 1



LEDclassic 40W A60 E27 CL
WGD90 SRT4 1

Dimensional drawing



Product	D	C
MAS LEDBulb DT10.5-100W E27 CRI95A60FR G	60 mm	108 mm
MAS LEDBulb DT3.4-40W E27 927A60CL G	60 mm	104 mm
MAS LEDBulb DT3.4-40W E27 CRI95A60CL G	60 mm	108 mm
MAS LEDBulb DT5.9-60W E27 927 A60 FR G	60 mm	104 mm
MAS LEDBulb DT5.9-60W E27 CRI95 A60 FR G	60 mm	108 mm
MAS LEDBulb DT7.2-75W E27 CRI95 A60 FR G	60 mm	108 mm
MAS LEDBulb DT7.2-75W E27 CRI95A60CL G	60 mm	108 mm
MAS LEDBulbDT10.5-100W E27 CRI95A60CLG	60 mm	108 mm
MAS LEDBulbDT3.4 -40W E27 927 A60 FR G	60 mm	104 mm
MAS LEDBulbDT3.4 -40W E27 CRI95 A60 FR G	60 mm	108 mm
MAS LEDBulbDT5.9-60W E27 927A60CL G	60 mm	104 mm
MAS LEDBulbDT5.9-60W E27 CRI95A60CL G	60 mm	108 mm

MASTER Glass LED bulbs

General Information	
Cap-Base	E27
Switching Cycle	20,000
Nominal lifetime	25,000 hour(s)
Light Technical	
Correlated Color Temperature (Nom)	2200 K
Color Code	922-927
LLMF At End Of Nominal Lifetime (Nom)	70 %
Operating and Electrical	
Input Frequency	50 to 60 Hz
Starting Time (Nom)	0.5 s
Temperature	
T-Case Maximum (Nom)	70 °C
Controls and Dimming	
Dimmable	Only with specific dimmers
Mechanical and Housing	
Bulb Shape	A60

Light Technical

Order Code	Full Product Name	Beam Angle (Nom)	Color rendering index (CRI)	Luminous Flux
929003010382	MAS LEDBulbDT5.9-60W E27 927A60CL G	-	90	806 lm
929003798682	MAS LEDBulbDT5.9-60W E27 CRI95A60CL G	300 degree(s)	95	806 lm
929003010002	MAS LEDBulbDT3.4 -40W E27 927 A60 FR G	-	90	470 lm
929003010402	MAS LEDBulb DT5.9-60W E27 927 A60 FR G	-	90	806 lm
929003798902	MAS LEDBulbDT3.4 -40W E27 CRI95 A60 FR G	300 degree(s)	95	470 lm
929003799002	MAS LEDBulb DT5.9-60W E27 CRI95 A60 FR G	300 degree(s)	95	806 lm
929003799102	MAS LEDBulb DT7.2-75W E27 CRI95 A60 FR G	300 degree(s)	95	1,055 lm
929003799202	MAS LEDBulb DT10.5-100W E27 CRI95A60FR G	300 degree(s)	95	1,521 lm
929003798802	MAS LEDBulbDT10.5-100W E27 CRI95A60CLG	300 degree(s)	95	1,521 lm
929003798702	MAS LEDBulb DT7.2-75W E27 CRI95A60CL G	300 degree(s)	95	1,055 lm
929003009982	MAS LEDBulb DT3.4-40W E27 927A60CL G	-	90	470 lm
929003798502	MAS LEDBulb DT3.4-40W E27 CRI95A60CL G	300 degree(s)	95	470 lm

Operating and Electrical

Order Code	Full Product Name	Line Frequency	Power Consumption	Wattage Equivalent
929003010382	MAS LEDBulbDT5.9-60W E27 927A60CL G	50 to 60 Hz	5.9 W	60 W
929003798682	MAS LEDBulbDT5.9-60W E27 CRI95A60CL G	-	5.9 W	60 W
929003010002	MAS LEDBulbDT3.4 -40W E27 927 A60 FR G	50 to 60 Hz	3.4 W	40 W
929003010402	MAS LEDBulb DT5.9-60W E27 927 A60 FR G	50 to 60 Hz	5.9 W	60 W
929003798902	MAS LEDBulbDT3.4 -40W E27 CRI95 A60 FR G	-	3.4 W	40 W
929003799002	MAS LEDBulb DT5.9-60W E27 CRI95 A60 FR G	-	5.9 W	60 W
929003799102	MAS LEDBulb DT7.2-75W E27 CRI95 A60 FR G	-	7.2 W	75 W

Order Code	Full Product Name	Line Frequency	Power Consumption	Wattage Equivalent
929003799202	MAS LEDBulb DT10.5-100W E27 CRI95A60FR G	-	10.5 W	100 W
929003798802	MAS LEDBulbDT10.5-100W E27 CRI95A60CLG	-	10.5 W	100 W
929003798702	MAS LEDBulb DT7.2-75W E27 CRI95A60CL G	-	7.2 W	75 W
929003009982	MAS LEDBulb DT3.4-40W E27 927A60CL G	50 to 60 Hz	3.4 W	40 W
929003798502	MAS LEDBulb DT3.4-40W E27 CRI95A60CL G	-	3.4 W	40 W

Mechanical and Housing

Order Code	Full Product Name	Bulb Finish
929003010382	MAS LEDBulbDT5.9-60W E27 927A60CL G	Clear
929003798682	MAS LEDBulbDT5.9-60W E27 CRI95A60CL G	Clear
929003010002	MAS LEDBulbDT3.4 -40W E27 927 A60 FR G	Frosted
929003010402	MAS LEDBulb DT5.9-60W E27 927 A60 FR G	Frosted
929003798902	MAS LEDBulbDT3.4 -40W E27 CRI95 A60 FR G	Frosted

Order Code	Full Product Name	Bulb Finish
929003799002	MAS LEDBulb DT5.9-60W E27 CRI95 A60 FR G	Frosted
929003799102	MAS LEDBulb DT7.2-75W E27 CRI95 A60 FR G	Frosted
929003799202	MAS LEDBulb DT10.5-100W E27 CRI95A60FR G	Frosted
929003798802	MAS LEDBulbDT10.5-100W E27 CRI95A60CLG	Clear
929003798702	MAS LEDBulb DT7.2-75W E27 CRI95A60CL G	Clear

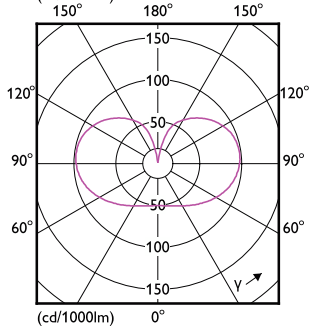
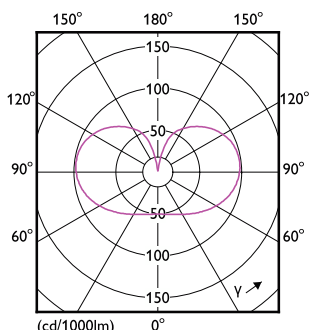
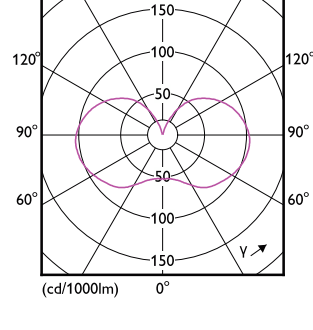
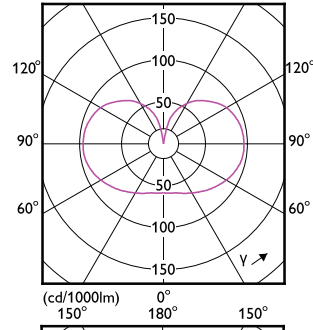
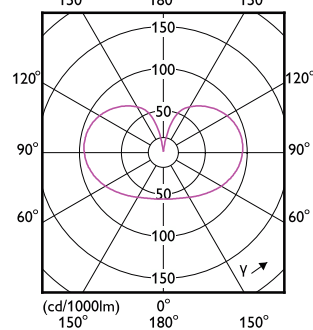
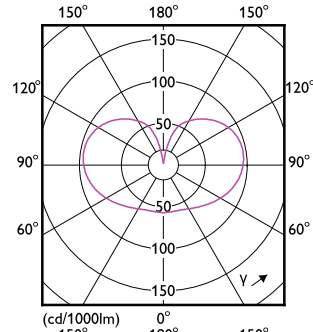
MASTER Glass LED bulbs

Order Code	Full Product Name	Bulb Finish
929003009982	MAS LEDBulb DT3.4-40W E27 927A60CL G	Clear

Order Code	Full Product Name	Bulb Finish
929003798502	MAS LEDBulb DT3.4-40W E27 CRI95A60CL G	Clear

Approval and Application

Order Code	Full Product Name	Ambient temperature range	Energy Consumption kWh/1000 h
929003010382	MAS LEDBulbDT5.9-60W E27 927A60CL G	-20 °C to 45 °C	6 kWh
929003798682	MAS LEDBulbDT5.9-60W E27 CRI95A60CL G	-20 to +45 °C	6 kWh
929003010002	MAS LEDBulbDT3.4 -40W E27 927 A60 FR G	-20 to +45 °C	4 kWh
929003010402	MAS LEDBulb DT5.9-60W E27 927 A60 FR G	-20 to +45 °C	6 kWh
929003798902	MAS LEDBulbDT3.4 -40W E27 CRI95 A60 FR G	-20 to +45 °C	4 kWh
929003799002	MAS LEDBulb DT5.9-60W E27 CRI95 A60 FR G	-20 to +45 °C	6 kWh
929003799102	MAS LEDBulb DT7.2-75W E27 CRI95 A60 FR G	-20 to +45 °C	8 kWh
929003799202	MAS LEDBulb DT10.5-100W E27 CRI95A60FR G	-20 to +45 °C	11 kWh
929003798802	MAS LEDBulbDT10.5-100W E27 CRI95A60CLG	-20 to +45 °C	11 kWh
929003798702	MAS LEDBulb DT7.2-75W E27 CRI95A60CL G	-20 to +45 °C	8 kWh
929003009982	MAS LEDBulb DT3.4-40W E27 927A60CL G	-20 °C to 45 °C	4 kWh
929003798502	MAS LEDBulb DT3.4-40W E27 CRI95A60CL G	-20 to +45 °C	4 kWh



MASTER Glass LED bulbs

