



# For top performance and sustainability

## MASTER Glass LED bulbs

Featuring a classic heritage design, these filament MASTER glass bulbs combine the familiar shapes of incandescent glass LED bulbs with the benefits of long-lasting LED technology. Ideal for creating a cozy atmosphere for customers, these glass LED bulbs provide excellent quality of light. MASTER glass bulbs can be dimmed for different lumen levels and color temperatures (dimmable glass led bulbs). They also deliver significant energy savings, using 30% less energy compared to normal LED bulbs. By offering a lifetime of 25,000 hours, these dimmable glass LED bulbs also reduce maintenance costs.

### Benefits

- Saves 30% energy compared with standard Philips LED bulbs
- Very long lifetime that reduces the need for replacements
- Easy retrofit replacement for conventional lamps

### Features

- heritage design with classic shapes
- perfect fit and high-quality finish
- Very good light quality with excellent color rendering (CRI>95)
- Designed to be seen, they look good switched on or off
- Environmentally friendly: contains no mercury or other hazardous substances

### Application

- Home
- Hospitality

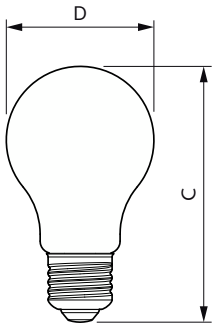
# MASTER Glass LED bulbs

## Versions



LEDclassic 40W A60 E27 CL  
WGD90 SRT4 1

## Dimensional drawing



Product	D	C
MAS LEDBulb DT3.4-40W E27 927A60CL G	60 mm	104 mm
MAS LEDBulb DT3.4-40W E27 CRI95A60CL G	60 mm	108 mm

# MASTER Glass LED bulbs

## General Information

Cap-Base	E27
Switching Cycle	20,000
Nominal lifetime	25,000 hour(s)

## Light Technical

Correlated Color Temperature (Nom)	2200 K
Color Code	922-927
LLMF At End Of Nominal Lifetime (Nom)	70 %
Luminous Flux	470 lm

## Operating and Electrical

Input Frequency	50 to 60 Hz
Power Consumption	3.4 W
Starting Time (Nom)	0.5 s
Wattage Equivalent	40 W

## Temperature

T-Case Maximum (Nom)	70 °C
----------------------	-------

## Controls and Dimming

Dimmable	Only with specific dimmers
----------	----------------------------

## Mechanical and Housing

Bulb Finish	Clear
Bulb Shape	A60

## Approval and Application

Energy Consumption kWh/1000 h	4 kWh
-------------------------------	-------

## Light Technical

Order Code	Full Product Name	Beam Angle (Nom)	Color rendering index (CRI)
929003009982	MAS LEDBulb DT3.4-40W E27 927A60CL G	-	90
929003798502	MAS LEDBulb DT3.4-40W E27 CRI95A60CL G	300 degree(s)	95

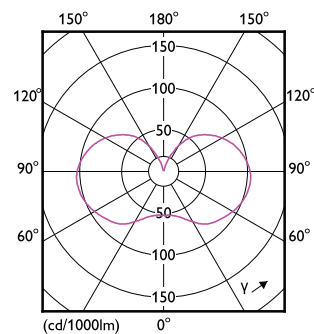
## Operating and Electrical

Order Code	Full Product Name	Line Frequency
929003009982	MAS LEDBulb DT3.4-40W E27 927A60CL G	50 to 60 Hz

Order Code	Full Product Name	Line Frequency
929003798502	MAS LEDBulb DT3.4-40W E27 CRI95A60CL G	-

## Approval and Application

Order Code	Full Product Name	Ambient temperature range
929003009982	MAS LEDBulb DT3.4-40W E27 927A60CL G	-20 °C to 45 °C
929003798502	MAS LEDBulb DT3.4-40W E27 CRI95A60CL G	-20 to +45 °C



## MASTER Glass LED bulbs

