



# For top performance and sustainability

## MASTER Glass LED bulbs

Featuring a classic heritage design, these filament MASTER glass bulbs combine the familiar shapes of incandescent glass LED bulbs with the benefits of long-lasting LED technology. Ideal for creating a cozy atmosphere for customers, these glass LED bulbs provide excellent quality of light. MASTER glass bulbs can be dimmed for different lumen levels and color temperatures (dimmable glass led bulbs). They also deliver significant energy savings, using 30% less energy compared to normal LED bulbs. By offering a lifetime of 25,000 hours, these dimmable glass LED bulbs also reduce maintenance costs.

### Benefits

- Saves 30% energy compared with standard Philips LED bulbs
- Very long lifetime that reduces the need for replacements
- Easy retrofit replacement for conventional lamps

### Features

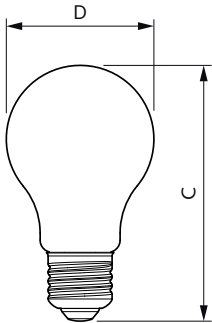
- heritage design with classic shapes
- perfect fit and high-quality finish
- Very good light quality with excellent color rendering (CRI>95)
- Designed to be seen, they look good switched on or off
- Environmentally friendly: contains no mercury or other hazardous substances

### Application

- Home
- Hospitality

# MASTER Glass LED bulbs

## Dimensional drawing



Product	D	C
MAS LEDBulb DT10.5-100W E27 927A60 FR G	60 mm	108 mm
MAS LEDBulb DT10.5-100W E27 CRI95A60FR G	60 mm	108 mm
MAS LEDBulb DT3.4-40W E27 927A60CL G	60 mm	104 mm
MAS LEDBulb DT3.4-40W E27 CRI95A60CL G	60 mm	108 mm
MAS LEDBulb DT5.9-60W E27 927 A60 FR G	60 mm	104 mm
MAS LEDBulb DT5.9-60W E27 CRI95 A60 FR G	60 mm	108 mm
MAS LEDBulb DT7.2-75W E27 927 A60 FR G	60 mm	104 mm
MAS LEDBulb DT7.2-75W E27 CRI95 A60 FR G	60 mm	108 mm
MAS LEDBulbDT3.4 -40W E27 927 A60 FR G	60 mm	104 mm
MAS LEDBulbDT3.4 -40W E27 CRI95 A60 FR G	60 mm	108 mm
MAS LEDBulbDT5.9-60W E27 927A60CL G	60 mm	104 mm
MAS LEDBulbDT5.9-60W E27 CRI95A60CL G	60 mm	108 mm

General Information	
Cap-Base	E27
Switching Cycle	20,000
Nominal lifetime	25,000 hour(s)
Light Technical	
Correlated Color Temperature (Nom)	2200 K
Color Code	922-927
LLMF At End Of Nominal Lifetime (Nom)	70 %
Operating and Electrical	
Input Frequency	50 to 60 Hz
Starting Time (Nom)	0.5 s
Temperature	
T-Case Maximum (Nom)	70 °C
Controls and Dimming	
Dimmable	Only with specific dimmers
Mechanical and Housing	
Bulb Shape	A60

## Light Technical

Order Code	Full Product Name	Beam Angle (Nom)	Color rendering index (CRI)	Luminous Flux
44971800	MAS LEDBulbDT5.9-60W E27 927A60CL G	-	90	806 lm
31165700	MAS LEDBulbDT5.9-60W E27 CRI95A60CL G	300 degree(s)	95	806 lm
32467100	MAS LEDBulbDT3.4 -40W E27 927 A60 FR G	-	90	470 lm
32475600	MAS LEDBulb DT5.9-60W E27 927 A60 FR G	-	90	806 lm
32493000	MAS LEDBulb DT7.2-75W E27 927 A60 FR G	-	90	1,055 lm
32501200	MAS LEDBulb DT10.5-100W E27 927A60 FR G	-	90	1,521 lm
31103900	MAS LEDBulbDT3.4 -40W E27 CRI95 A60 FR G	300 degree(s)	95	470 lm
31105300	MAS LEDBulb DT5.9-60W E27 CRI95 A60 FR G	300 degree(s)	95	806 lm
31107700	MAS LEDBulb DT7.2-75W E27 CRI95 A60 FR G	300 degree(s)	95	1,055 lm
31109100	MAS LEDBulb DT10.5-100W E27 CRI95A60FR G	300 degree(s)	95	1,521 lm
44967100	MAS LEDBulb DT3.4-40W E27 927A60CL G	-	90	470 lm
31091900	MAS LEDBulb DT3.4-40W E27 CRI95A60CL G	300 degree(s)	95	470 lm

## Operating and Electrical

Order Code	Full Product Name	Line Frequency	Power Consumption	Wattage Equivalent
44971800	MAS LEDBulbDT5.9-60W E27 927A60CL G	50 to 60 Hz	5.9 W	60 W
31165700	MAS LEDBulbDT5.9-60W E27 CRI95A60CL G	-	5.9 W	60 W
32467100	MAS LEDBulbDT3.4 -40W E27 927 A60 FR G	50 to 60 Hz	3.4 W	40 W

Order Code	Full Product Name	Line Frequency	Power Consumption	Wattage Equivalent
32475600	MAS LEDBulb DT5.9-60W E27 927 A60 FR G	50 to 60 Hz	5.9 W	60 W
32493000	MAS LEDBulb DT7.2-75W E27 927 A60 FR G	50 to 60 Hz	7.2 W	75 W
32501200	MAS LEDBulb DT10.5-100W E27 927A60 FR G	50 to 60 Hz	10.5 W	100 W

# MASTER Glass LED bulbs

Order Code	Full Product Name	Line	Power	Wattage
		Frequency	Consumption	Equivalent
31103900	MAS LEDBulbDT3.4 -40W E27 CRI95 A60 FR G	-	3.4 W	40 W
31105300	MAS LEDBulb DT5.9-60W E27 CRI95 A60 FR G	-	5.9 W	60 W
31107700	MAS LEDBulb DT7.2-75W E27 CRI95 A60 FR G	-	7.2 W	75 W

Order Code	Full Product Name	Line	Power	Wattage
		Frequency	Consumption	Equivalent
31109100	MAS LEDBulb DT10.5-100W E27 CRI95A60FR G	-	10.5 W	100 W
44967100	MAS LEDBulb DT3.4-40W E27 927A60CL G	50 to 60 Hz	3.4 W	40 W
31091900	MAS LEDBulb DT3.4-40W E27 CRI95A60CL G	-	3.4 W	40 W

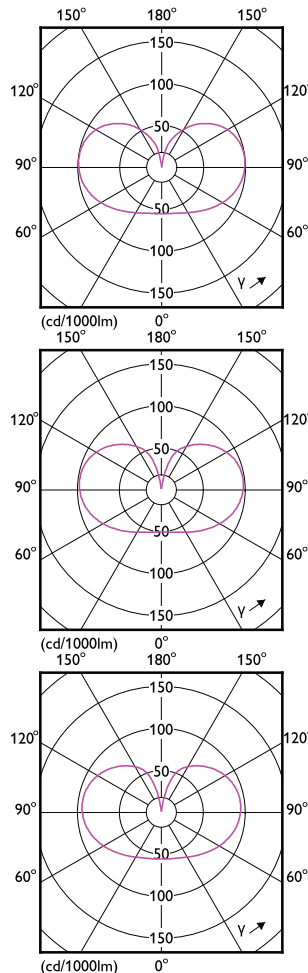
## Mechanical and Housing

Order Code	Full Product Name	Bulb Finish
44971800	MAS LEDBulbDT5.9-60W E27 927A60CL G	Clear
31165700	MAS LEDBulbDT5.9-60W E27 CRI95A60CL G	Clear
32467100	MAS LEDBulbDT3.4 -40W E27 927 A60 FR G	Frosted
32475600	MAS LEDBulb DT5.9-60W E27 927 A60 FR G	Frosted
32493000	MAS LEDBulb DT7.2-75W E27 927 A60 FR G	Frosted
32501200	MAS LEDBulb DT10.5-100W E27 927A60 FR G	Frosted

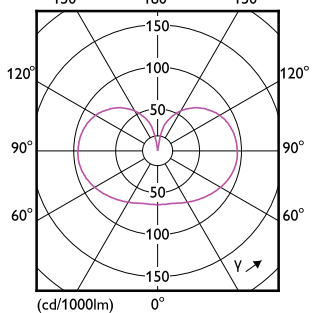
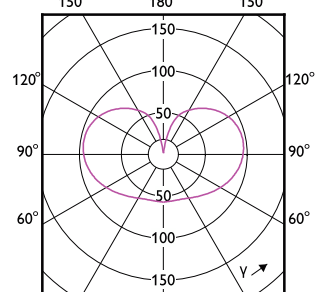
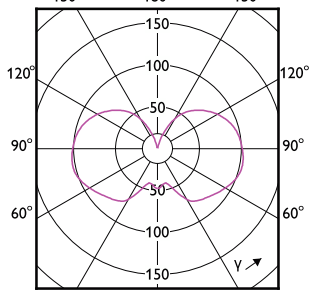
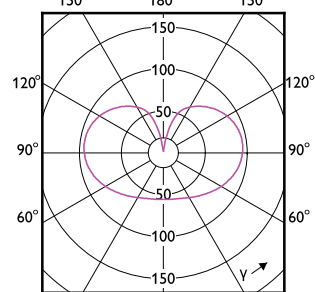
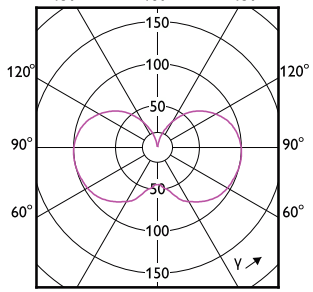
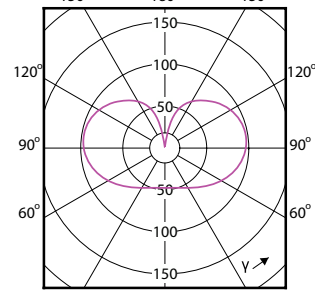
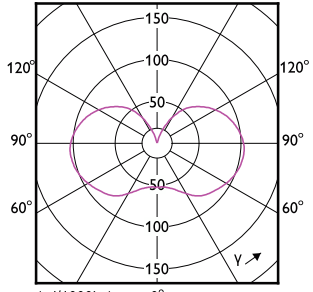
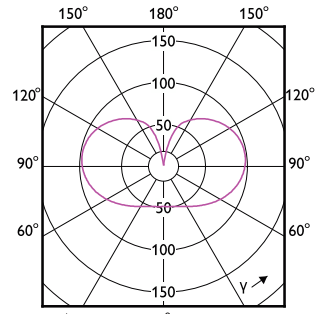
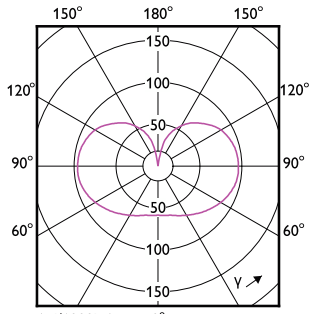
Order Code	Full Product Name	Bulb Finish
31103900	MAS LEDBulbDT3.4 -40W E27 CRI95 A60 FR G	Frosted
31105300	MAS LEDBulb DT5.9-60W E27 CRI95 A60 FR G	Frosted
31107700	MAS LEDBulb DT7.2-75W E27 CRI95 A60 FR G	Frosted
31109100	MAS LEDBulb DT10.5-100W E27 CRI95A60FR G	Frosted
44967100	MAS LEDBulb DT3.4-40W E27 927A60CL G	Clear
31091900	MAS LEDBulb DT3.4-40W E27 CRI95A60CL G	Clear

## Approval and Application

Order Code	Full Product Name	Ambient temperature range	Energy Consumption kWh/1000 h
44971800	MAS LEDBulbDT5.9-60W E27 927A60CL G	-20 °C to 45 °C	6 kWh
31165700	MAS LEDBulbDT5.9-60W E27 CRI95A60CL G	-20 to +45 °C	6 kWh
32467100	MAS LEDBulbDT3.4 -40W E27 927 A60 FR G	-20 to +45 °C	4 kWh
32475600	MAS LEDBulb DT5.9-60W E27 927 A60 FR G	-20 to +45 °C	6 kWh
32493000	MAS LEDBulb DT7.2-75W E27 927 A60 FR G	-20 to +45 °C	8 kWh
32501200	MAS LEDBulb DT10.5-100W E27 927A60 FR G	-20 to +45 °C	11 kWh
31103900	MAS LEDBulbDT3.4 -40W E27 CRI95 A60 FR G	-20 to +45 °C	4 kWh
31105300	MAS LEDBulb DT5.9-60W E27 CRI95 A60 FR G	-20 to +45 °C	6 kWh
31107700	MAS LEDBulb DT7.2-75W E27 CRI95 A60 FR G	-20 to +45 °C	8 kWh
31109100	MAS LEDBulb DT10.5-100W E27 CRI95A60FR G	-20 to +45 °C	11 kWh
44967100	MAS LEDBulb DT3.4-40W E27 927A60CL G	-20 °C to 45 °C	4 kWh
31091900	MAS LEDBulb DT3.4-40W E27 CRI95A60CL G	-20 to +45 °C	4 kWh



# MASTER Glass LED bulbs



## MASTER Glass LED bulbs

