



# For your everyday lighting jobs, CorePro LED high lumen bulbs provide excellent quality of light

## Corepro Glass High Lumen bulbs

Featuring a classic heritage design, these filament CorePro LED bulbs combine the familiar shapes of classic incandescent bulbs with the benefits of the long-lasting LED technology. A very easy choice for people who are looking for a retrofit LED replacement, these high lumen LED bulbs provide 90% energy savings compared with conventional light bulbs. CorePro LED High Lumen bulbs provide excellent quality of light. Energy-saving LED lighting that offers a lifetime of 15,000 hours to reduce maintenance costs.

### Benefits

- Saves 30% energy compared with standard Philips LED bulbs
- Very long lifetime that reduces the need for replacements
- Easy retrofit replacement for conventional lamps

### Features

- Heritage design
- High lumen output
- High efficiency
- Long lifetime
- Easy installation

# Corepro Glass High Lumen bulbs

## Application

- Home
- Warehouses

## Versions

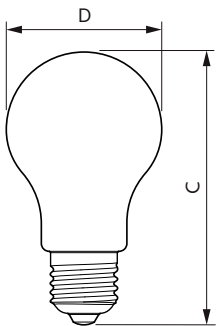
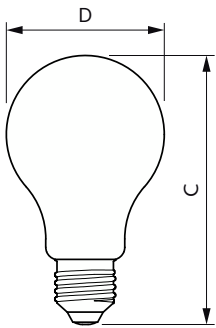


LEDclassic A67 E27 CL-POS2A



LEDclassic A67 E27 CL 1-POS2A

## Dimensional drawing

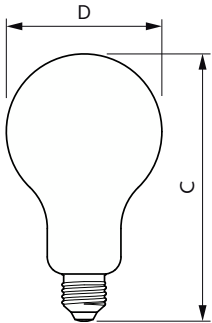


Product	D	C
CorePro LEDBulbND 120W E27 A67 827 CL G	70 mm	121 mm
CorePro LEDBulbND 120W E27 A67 827 FR G	70 mm	121 mm
CorePro LEDBulbND 120W E27 A67 840 FR G	70 mm	121 mm
CorePro LEDBulbND 120W E27 A67 865 FR G	70 mm	121 mm
CorePro LEDBulbND 150W E27 A67 827 FR G	70 mm	121 mm
CorePro LEDBulbND 150W E27 A67 840 FR G	70 mm	121 mm
CorePro LEDBulbND 150W E27 A67 865 FR G	70 mm	121 mm

Product	D	C
CorePro LEDBulbND17-150W E27 A67 827 CLG	70 mm	128 mm

# Corepro Glass High Lumen bulbs

## Dimensional drawing



Product	D	C
CorePro LEDBulbND 200W E27 A95 827 FR G	95 mm	165 mm
CorePro LEDBulbND 200W E27 A95 840 FR G	95 mm	165 mm
CorePro LEDBulbND 200W E27 A95 865 FR G	95 mm	165 mm

General Information	
Cap-Base	E27
Switching Cycle	20,000
Nominal lifetime	15,000 hour(s)
Light Technical	
Beam Angle (Nom)	300 degree(s)
Color rendering index (CRI)	80
LLMF At End Of Nominal Lifetime (Nom)	70 %
Operating and Electrical	
Input Frequency	50 to 60 Hz
Line Frequency	50 to 60 Hz
Starting Time (Nom)	0.5 s
Controls and Dimming	
Dimmable	No
Approval and Application	
Ambient temperature range	-20 to +45 °C

## Light Technical

Order Code	Full Product Name	Correlated Color Temperature (Nom)	Color Code	Luminous Flux
34653600	CorePro LEDBulbND 120W E27 A67 827 FR G	2700 K	827	2,000 lm
34655000	CorePro LEDBulbND 120W E27 A67 840 FR G	4000 K	840	2,000 lm
34657400	CorePro LEDBulbND 120W E27 A67 865 FR G	6500 K	865	2,000 lm
34661100	CorePro LEDBulbND 150W E27 A67 827 FR G	2700 K	827	2,452 lm
34663500	CorePro LEDBulbND 150W E27 A67 840 FR G	4000 K	840	2,452 lm
34665900	CorePro LEDBulbND 150W E27 A67 865 FR G	6500 K	865	2,452 lm
34667300	CorePro LEDBulbND 200W E27 A95 827 FR G	2700 K	827	3,452 lm
34669700	CorePro LEDBulbND 200W E27 A95 840 FR G	4000 K	840	3,452 lm
34671000	CorePro LEDBulbND 200W E27 A95 865 FR G	6500 K	865	3,452 lm
34649900	CorePro LEDBulbND 120W E27 A67 827 CL G	2700 K	827	2,000 lm
34744100	CorePro LEDBulbND17-150W E27 A67 827 CLG	2700 K	827	2,452 lm

## Operating and Electrical

Order Code	Full Product Name	Power Consumption	Wattage Equivalent
34653600	CorePro LEDBulbND 120W E27 A67 827 FR G	13 W	120 W
34655000	CorePro LEDBulbND 120W E27 A67 840 FR G	13 W	120 W
34657400	CorePro LEDBulbND 120W E27 A67 865 FR G	13 W	120 W
34661100	CorePro LEDBulbND 150W E27 A67 827 FR G	17.5 W	150 W
34663500	CorePro LEDBulbND 150W E27 A67 840 FR G	17.5 W	150 W
34665900	CorePro LEDBulbND 150W E27 A67 865 FR G	17.5 W	150 W

Order Code	Full Product Name	Power Consumption	Wattage Equivalent
34667300	CorePro LEDBulbND 200W E27 A95 827 FR G	23 W	200 W
34669700	CorePro LEDBulbND 200W E27 A95 840 FR G	23 W	200 W
34671000	CorePro LEDBulbND 200W E27 A95 865 FR G	23 W	200 W
34649900	CorePro LEDBulbND 120W E27 A67 827 CL G	13 W	120 W
34744100	CorePro LEDBulbND17-150W E27 A67 827 CLG	17 W	150 W

# Corepro Glass High Lumen bulbs

## Temperature

Order Code	Full Product Name	T-Case Maximum (Nom)
34653600	CorePro LEDBulbND 120W E27 A67 827 FR G	60 °C
34655000	CorePro LEDBulbND 120W E27 A67 840 FR G	60 °C
34657400	CorePro LEDBulbND 120W E27 A67 865 FR G	60 °C
34661100	CorePro LEDBulbND 150W E27 A67 827 FR G	60 °C
34663500	CorePro LEDBulbND 150W E27 A67 840 FR G	60 °C
34665900	CorePro LEDBulbND 150W E27 A67 865 FR G	60 °C

Order Code	Full Product Name	T-Case Maximum (Nom)
34667300	CorePro LEDBulbND 200W E27 A95 827 FR G	55 °C
34669700	CorePro LEDBulbND 200W E27 A95 840 FR G	55 °C
34671000	CorePro LEDBulbND 200W E27 A95 865 FR G	55 °C
34649900	CorePro LEDBulbND 120W E27 A67 827 CL G	60 °C
34744100	CorePro LEDBulbND17-150W E27 A67 827 CLG	60 °C

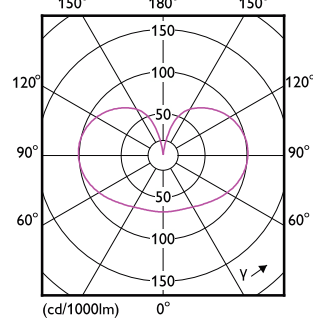
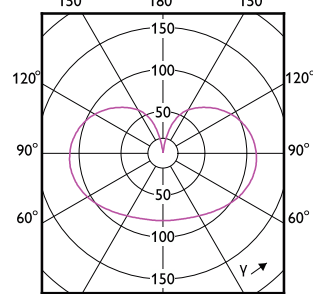
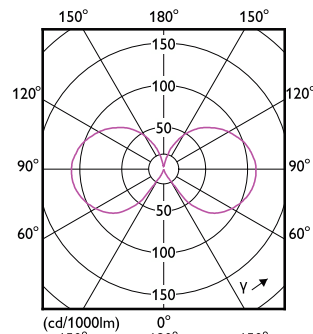
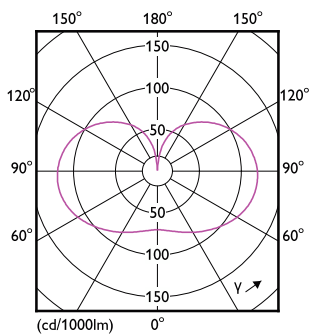
## Mechanical and Housing

Order Code	Full Product Name	Bulb Finish	Bulb Shape
34653600	CorePro LEDBulbND 120W E27 A67 827 FR G	Frosted	A67
34655000	CorePro LEDBulbND 120W E27 A67 840 FR G	Frosted	A67
34657400	CorePro LEDBulbND 120W E27 A67 865 FR G	Frosted	A67
34661100	CorePro LEDBulbND 150W E27 A67 827 FR G	Frosted	A67
34663500	CorePro LEDBulbND 150W E27 A67 840 FR G	Frosted	A67
34665900	CorePro LEDBulbND 150W E27 A67 865 FR G	Frosted	A67

Order Code	Full Product Name	Bulb Finish	Bulb Shape
34667300	CorePro LEDBulbND 200W E27 A95 827 FR G	Frosted	A95
34669700	CorePro LEDBulbND 200W E27 A95 840 FR G	Frosted	A95
34671000	CorePro LEDBulbND 200W E27 A95 865 FR G	Frosted	A95
34649900	CorePro LEDBulbND 120W E27 A67 827 CL G	Clear	A67
34744100	CorePro LEDBulbND17-150W E27 A67 827 CLG	Clear	A67

## Approval and Application

Order Code	Full Product Name	Energy Consumption kWh/1000 h
34653600	CorePro LEDBulbND 120W E27 A67 827 FR G	13 kWh
34655000	CorePro LEDBulbND 120W E27 A67 840 FR G	13 kWh
34657400	CorePro LEDBulbND 120W E27 A67 865 FR G	13 kWh
34661100	CorePro LEDBulbND 150W E27 A67 827 FR G	18 kWh
34663500	CorePro LEDBulbND 150W E27 A67 840 FR G	18 kWh
34665900	CorePro LEDBulbND 150W E27 A67 865 FR G	18 kWh
34667300	CorePro LEDBulbND 200W E27 A95 827 FR G	23 kWh
34669700	CorePro LEDBulbND 200W E27 A95 840 FR G	23 kWh
34671000	CorePro LEDBulbND 200W E27 A95 865 FR G	23 kWh
34649900	CorePro LEDBulbND 120W E27 A67 827 CL G	13 kWh
34744100	CorePro LEDBulbND17-150W E27 A67 827 CLG	17 kWh



## Corepro Glass High Lumen bulbs

