



An ideal solution for installers and customers who expect quality light and reliable performance.

Meson Downlight

The Recessed Meson downlight offers complete range in terms of lumen output and sizes with reliable performance. Available in seven cutout sizes with three CCT options to suit different applications.

Benefits

- Visual comfort
- Energy efficient
- Product diversity to cater to different applications

Features

- High brightness
- Uniform light
- Easy installation

Application

- Retail
- Offices
- Hospitality

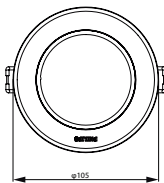
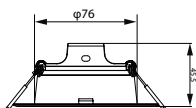
Meson Downlight

Versions



Plus MESON

Dimensional drawing



Meson Downlight

General Information

| | |
|--------------------------|--------|
| Driver included | Yes |
| Light source replaceable | No |
| Number of gear units | 1 unit |

Light Technical

| | |
|-----------------------------|-----------|
| Color rendering index (CRI) | 80 |
| Optic type | Wide beam |

Operating and Electrical

| | |
|-------------------------------|-----------------|
| Protection class IEC | Safety class II |
| Input Voltage | 220 to 240 V |
| Power Consumption | 7 W |
| Suitable for random switching | Not applicable |

Controls and Dimming

| | |
|----------|----|
| Dimmable | No |
|----------|----|

Mechanical and Housing

| | |
|------------------------------|-------|
| Housing Color | White |
| Mech. impact protection code | IK03 |
| Ingress protection code | IP20 |

Approval and Application

| | |
|---------------------------|---|
| Ambient temperature range | -20 to +40 °C |
| CE mark | Yes |
| Flammability mark | For mounting on normally flammable surfaces |
| Glow-wire test | Temperature 650 °C, duration 30 s |

Initial Performance (IEC Compliant)

| | |
|-------------------------|----------|
| Luminous flux tolerance | +15%/-5% |
|-------------------------|----------|

Over Time Performance (IEC Compliant)

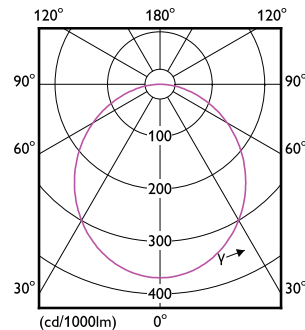
| | |
|-------------------------------|---|
| Driver failure rate at 5000 h | 5 |
|-------------------------------|---|

Light Technical

| Order Code | Full Product Name | Correlated Color Temperature (Nom) | Luminous Efficacy (rated) (Nom) | Luminous Flux |
|--------------|-----------------------------------|------------------------------------|---------------------------------|---------------|
| 929003304408 | 59443 Plus MESON 080 7W 30K WH KR | 3000 K | 71 lm/W | 500 lm |
| 929003304508 | 59443 Plus MESON 080 7W 40K WH KR | 4000 K | 78 lm/W | 550 lm |
| 929003304608 | 59443 Plus MESON 080 7W 65K WH KR | 6500 K | 78 lm/W | 550 lm |

Initial Performance (IEC Compliant)

| Order Code | Full Product Name | Initial chromaticity |
|--------------|-----------------------------------|------------------------|
| 929003304408 | 59443 Plus MESON 080 7W 30K WH KR | (0.4339, 0.4033) 6SDCM |
| 929003304508 | 59443 Plus MESON 080 7W 40K WH KR | (0.3818, 0.3797) 6SDCM |
| 929003304608 | 59443 Plus MESON 080 7W 65K WH KR | (0.3123, 0.3283) 6SDCM |



Meson Downlight

