



Slim LED strip offering high quality light with diversified options in terms of brightness and light color

MASTER LED Strip

A complete family delivering superior light with great uniformity and safety. Choose the best fit for every projects, from 5 lumen packs/wattages, and 4 CCTs, and enjoy great reliable performance free of maintenance

Benefits

- Superior light quality: Great color rendering and extremely good color consistency
- Wide range of products: Variety in lumen/wattage and CCT combinations to cater to different applications.
- Easy installation: Slim design ensures fit in tight spaces.

Features

- Superior light quality: CRI 90, SDCM 3
- Full product range: 500lm,1000lm,1500lm,2000lm,2500/m, 2700K, 3000K, 4000K & 6500K options
- High efficiency for energy saving: 120lm/W
- DC 24V low voltage offers superior safety
- 60,000 Life hours

MASTER LED Strip

Application

- Retail
- Hospitality
- Offices

Versions



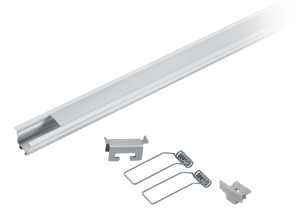
LS tapetowire connector IP20-EU



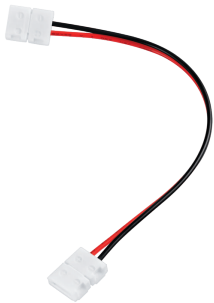
LS tapetotape connector IP20-EU



LEDStrip U profile accessory kit



LEDStrip H profile accessory kit

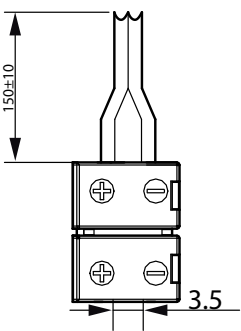


LS corner connector IP20-EU



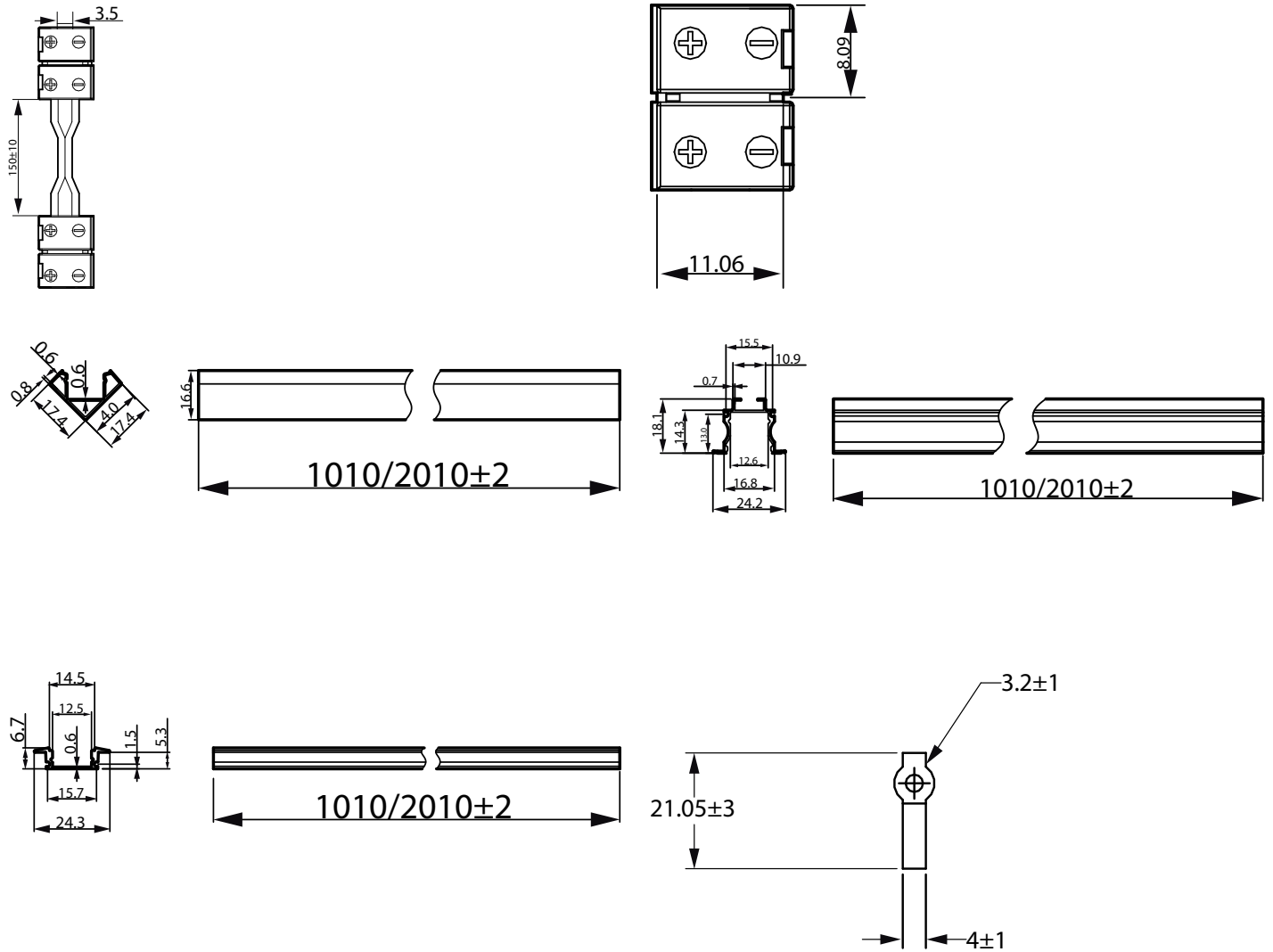
LS mounting clips IP20-EU

Dimensional drawing



MASTER LED Strip

Dimensional drawing



Light Technical

Order Code	Full Product Name	Correlated Color Temperature (Nom)	Color rendering index (CRI)	Luminous Flux
929003167902	LS tape-to-wire connector IP20 50pcs EU	-	-	-
929003244202	V profile 1M accessory kit 60pcs	-	-	-
929003244302	V profile 2M accessory kit 30pcs	-	-	-

Order Code	Full Product Name	Correlated Color Temperature (Nom)	Color rendering index (CRI)	Luminous Flux
929003167802	LS tape-to-tape connector IP20 50pcs EU	-	-	-
929003244102	U profile 2M accessory kit 30pcs	-	-	-
929003244402	H profile 1M accessory kit 60pcs	-	-	-
929003244502	H profile 2M accessory kit 30pcs	-	-	-

MASTER LED Strip

Order Code	Full Product Name	Correlated Color Temperature (Nom)	Color rendering index (CRI)	Luminous Flux
929002696302	MAS LEDstrip 4.3W927 475LM/M 5M	2700 K	90	475 lm
929002696402	MAS LEDstrip 4.3W930 475LM/M 5M	3000 K	>90	475 lm
929002696502	MAS LEDstrip 4.3W940 500LM/M 5M	4000 K	>90	500 lm
929002696602	MAS LEDstrip 4.3W965 500LM/M 5M	6500 K	90	500 lm
929002696702	MAS LEDstrip 8.3W927 920LM/M 5M	2700 K	90	920 lm
929002696802	MAS LEDstrip 8.3W930 920LM/M 5M	3000 K	>90	920 lm
929002696902	MAS LEDstrip 8.3W940 1000LM/M 5M	4000 K	>90	1,000 lm
929002697002	MAS LEDstrip 8.3W965 950LM/M 5M	6500 K	90	950 lm
929002697102	MAS LEDstrip 12.5W927 1380LM/M 5M	2700 K	90	1,380 lm
929002697202	MAS LEDstrip 12.5W930 1380LM/M 5M	3000 K	>90	1,380 lm
929002697302	MAS LEDstrip 12.5W940 1500LM/M 5M	4000 K	>90	1,500 lm
929002697402	MAS LEDstrip 12.5W965 1450LM/M 5M	6500 K	90	1,450 lm

Order Code	Full Product Name	Correlated Color Temperature (Nom)	Color rendering index (CRI)	Luminous Flux
929002697502	MAS LEDstrip 16.6W927 1830LM/M 5M	2700 K	90	1,830 lm
929002697602	MAS LEDstrip 16.6W930 1830LM/M 5M	3000 K	>90	1,830 lm
929002697702	MAS LEDstrip 16.6W940 2000LM/M 5M	4000 K	>90	2,000 lm
929002697802	MAS LEDstrip 16.6W965 2000LM/M 5M	6500 K	90	2,000 lm
929002697902	MAS LEDstrip 21.3W927 2400LM/M 5M	2700 K	90	2,400 lm
929002698002	MAS LEDstrip 21.3W930 2400LM/M 5M	3000 K	>90	2,400 lm
929002698102	MAS LEDstrip 21.3W940 2500LM/M 5M	4000 K	>90	2,500 lm
929002698202	MAS LEDstrip 21.3W965 2450LM/M 5M	6500 K	90	2,450 lm
929003167702	LS corner connector IP20 50pcs EU	-	-	-
929003167602	LS mounting clips IP20 50pcs EU	-	-	-

Operating and Electrical

Order Code	Full Product Name	Input Voltage	Power Consumption
929003167902	LS tape-to-wire connector IP20 50pcs EU	-	-
929003244202	V profile 1M accessory kit 60pcs	-	-
929003244302	V profile 2M accessory kit 30pcs	-	-
929003167802	LS tape-to-tape connector IP20 50pcs EU	-	-
929003244102	U profile 2M accessory kit 30pcs	-	-
929003244402	H profile 1M accessory kit 60pcs	-	-
929003244502	H profile 2M accessory kit 30pcs	-	-
929002696302	MAS LEDstrip 4.3W927 475LM/M 5M	24 V	19 W
929002696402	MAS LEDstrip 4.3W930 475LM/M 5M	24 V	19 W
929002696502	MAS LEDstrip 4.3W940 500LM/M 5M	24 V	19 W
929002696602	MAS LEDstrip 4.3W965 500LM/M 5M	24 V	19 W

Order Code	Full Product Name	Input Voltage	Power Consumption
929002696702	MAS LEDstrip 8.3W927 920LM/M 5M	24 V	37 W
929002696802	MAS LEDstrip 8.3W930 920LM/M 5M	24 V	37 W
929002696902	MAS LEDstrip 8.3W940 1000LM/M 5M	24 V	37 W
929002697002	MAS LEDstrip 8.3W965 950LM/M 5M	24 V	37 W
929002697102	MAS LEDstrip 12.5W927 1380LM/M 5M	24 V	52 W
929002697202	MAS LEDstrip 12.5W930 1380LM/M 5M	24 V	52 W
929002697302	MAS LEDstrip 12.5W940 1500LM/M 5M	24 V	52 W
929002697402	MAS LEDstrip 12.5W965 1450LM/M 5M	24 V	52 W

MASTER LED Strip

Order Code	Full Product Name	Input Voltage	Power
			Consumption
929002697502	MAS LEDstrip 16.6W927 1830LM/M 5M	24 V	67 W
929002697602	MAS LEDstrip 16.6W930 1830LM/M 5M	24 V	67 W
929002697702	MAS LEDstrip 16.6W940 2000LM/M 5M	24 V	67 W
929002697802	MAS LEDstrip 16.6W965 2000LM/M 5M	24 V	67 W
929002697902	MAS LEDstrip 21.3W927 2400LM/M 5M	24 V	81 W

Order Code	Full Product Name	Input Voltage	Power
			Consumption
929002698002	MAS LEDstrip 21.3W930 2400LM/M 5M	24 V	81 W
929002698102	MAS LEDstrip 21.3W940 2500LM/M 5M	24 V	81 W
929002698202	MAS LEDstrip 21.3W965 2450LM/M 5M	24 V	81 W
929003167702	LS corner connector IP20 50pcs EU	-	-
929003167602	LS mounting clips IP20 50pcs EU	-	-

Controls and Dimming

Order Code	Full Product Name	Dimmable
929003167902	LS tape-to-wire connector IP20 50pcs EU	-
929003244202	V profile 1M accessory kit 60pcs	-
929003244302	V profile 2M accessory kit 30pcs	-
929003167802	LS tape-to-tape connector IP20 50pcs EU	-
929003244102	U profile 2M accessory kit 30pcs	-
929003244402	H profile 1M accessory kit 60pcs	-
929003244502	H profile 2M accessory kit 30pcs	-
929002696302	MAS LEDstrip 4.3W927 475LM/M 5M	Yes
929002696402	MAS LEDstrip 4.3W930 475LM/M 5M	Yes
929002696502	MAS LEDstrip 4.3W940 500LM/M 5M	Yes
929002696602	MAS LEDstrip 4.3W965 500LM/M 5M	Yes
929002696702	MAS LEDstrip 8.3W927 920LM/M 5M	Yes
929002696802	MAS LEDstrip 8.3W930 920LM/M 5M	Yes
929002696902	MAS LEDstrip 8.3W940 1000LM/M 5M	Yes
929002697002	MAS LEDstrip 8.3W965 950LM/M 5M	Yes

Order Code	Full Product Name	Dimmable
929002697102	MAS LEDstrip 12.5W927 1380LM/M 5M	Yes
929002697202	MAS LEDstrip 12.5W930 1380LM/M 5M	Yes
929002697302	MAS LEDstrip 12.5W940 1500LM/M 5M	Yes
929002697402	MAS LEDstrip 12.5W965 1450LM/M 5M	Yes
929002697502	MAS LEDstrip 16.6W927 1830LM/M 5M	Yes
929002697602	MAS LEDstrip 16.6W930 1830LM/M 5M	Yes
929002697702	MAS LEDstrip 16.6W940 2000LM/M 5M	Yes
929002697802	MAS LEDstrip 16.6W965 2000LM/M 5M	Yes
929002697902	MAS LEDstrip 21.3W927 2400LM/M 5M	Yes
929002698002	MAS LEDstrip 21.3W930 2400LM/M 5M	Yes
929002698102	MAS LEDstrip 21.3W940 2500LM/M 5M	Yes
929002698202	MAS LEDstrip 21.3W965 2450LM/M 5M	Yes
929003167702	LS corner connector IP20 50pcs EU	-
929003167602	LS mounting clips IP20 50pcs EU	-

Mechanical and Housing

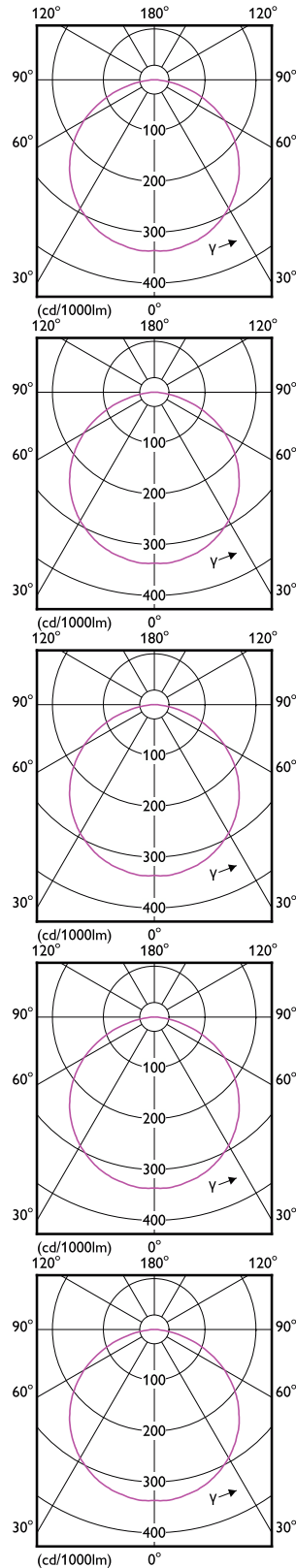
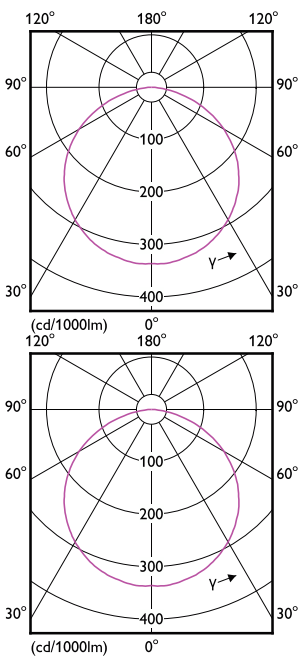
Order Code	Full Product Name	Ingress protection code
929003167902	LS tape-to-wire connector IP20 50pcs EU	-
929003244202	V profile 1M accessory kit 60pcs	-
929003244302	V profile 2M accessory kit 30pcs	-
929003167802	LS tape-to-tape connector IP20 50pcs EU	-
929003244102	U profile 2M accessory kit 30pcs	-
929003244402	H profile 1M accessory kit 60pcs	-
929003244502	H profile 2M accessory kit 30pcs	-
929002696302	MAS LEDstrip 4.3W927 475LM/M 5M	IP20
929002696402	MAS LEDstrip 4.3W930 475LM/M 5M	IP20
929002696502	MAS LEDstrip 4.3W940 500LM/M 5M	IP20
929002696602	MAS LEDstrip 4.3W965 500LM/M 5M	IP20
929002696702	MAS LEDstrip 8.3W927 920LM/M 5M	IP20
929002696802	MAS LEDstrip 8.3W930 920LM/M 5M	IP20
929002696902	MAS LEDstrip 8.3W940 1000LM/M 5M	IP20
929002697002	MAS LEDstrip 8.3W965 950LM/M 5M	IP20

Order Code	Full Product Name	Ingress protection code
929002697102	MAS LEDstrip 12.5W927 1380LM/M 5M	IP20
929002697202	MAS LEDstrip 12.5W930 1380LM/M 5M	IP20
929002697302	MAS LEDstrip 12.5W940 1500LM/M 5M	IP20
929002697402	MAS LEDstrip 12.5W965 1450LM/M 5M	IP20
929002697502	MAS LEDstrip 16.6W927 1830LM/M 5M	IP20
929002697602	MAS LEDstrip 16.6W930 1830LM/M 5M	IP20
929002697702	MAS LEDstrip 16.6W940 2000LM/M 5M	IP20
929002697802	MAS LEDstrip 16.6W965 2000LM/M 5M	IP20
929002697902	MAS LEDstrip 21.3W927 2400LM/M 5M	IP20
929002698002	MAS LEDstrip 21.3W930 2400LM/M 5M	IP20
929002698102	MAS LEDstrip 21.3W940 2500LM/M 5M	IP20
929002698202	MAS LEDstrip 21.3W965 2450LM/M 5M	IP20
929003167702	LS corner connector IP20 50pcs EU	-
929003167602	LS mounting clips IP20 50pcs EU	-

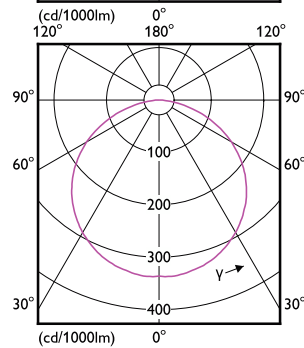
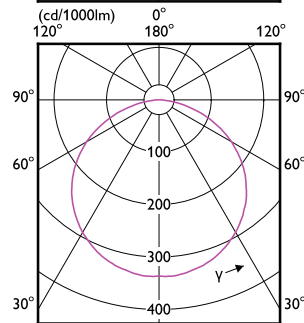
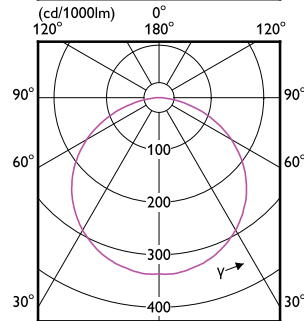
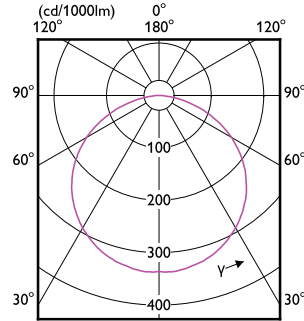
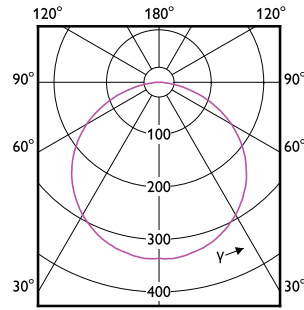
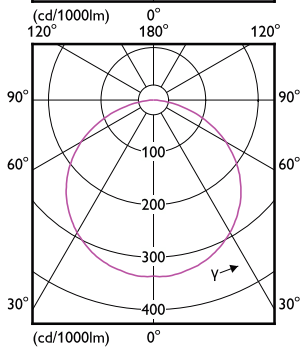
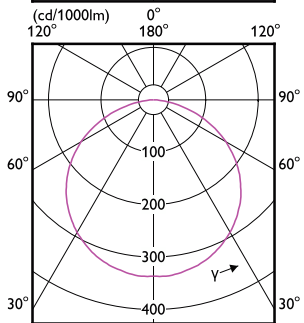
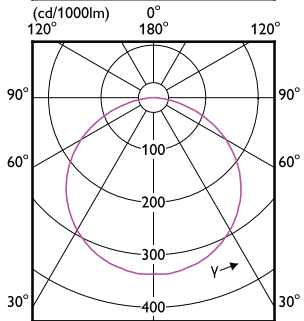
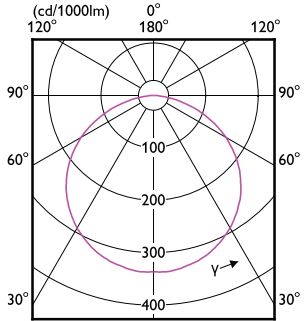
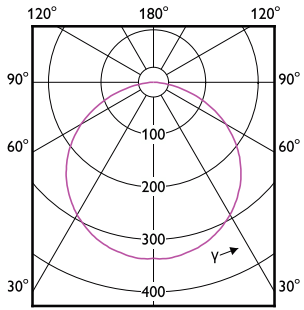
Approval and Application

MASTER LED Strip

Order Code	Full Product Name	Ambient temperature range
929003167902	LS tape-to-wire connector IP20 50pcs EU	-
929003244202	V profile 1M accessory kit 60pcs	-
929003244302	V profile 2M accessory kit 30pcs	-
929003167802	LS tape-to-tape connector IP20 50pcs EU	-
929003244102	U profile 2M accessory kit 30pcs	-
929003244402	H profile 1M accessory kit 60pcs	-
929003244502	H profile 2M accessory kit 30pcs	-
929002696302	MAS LEDstrip 4.3W927 475LM/M 5M	-20 to +40 °C
929002696402	MAS LEDstrip 4.3W930 475LM/M 5M	-20 to +40 °C
929002696502	MAS LEDstrip 4.3W940 500LM/M 5M	-20 to +40 °C
929002696602	MAS LEDstrip 4.3W965 500LM/M 5M	-20 to +40 °C
929002696702	MAS LEDstrip 8.3W927 920LM/M 5M	-20 to +40 °C
929002696802	MAS LEDstrip 8.3W930 920LM/M 5M	-20 to +40 °C
929002696902	MAS LEDstrip 8.3W940 1000LM/M 5M	-20 to +40 °C
929002697002	MAS LEDstrip 8.3W965 950LM/M 5M	-20 to +40 °C
929002697102	MAS LEDstrip 12.5W927 1380LM/M 5M	-20 to +40 °C
929002697202	MAS LEDstrip 12.5W930 1380LM/M 5M	-20 to +40 °C
929002697302	MAS LEDstrip 12.5W940 1500LM/M 5M	-20 to +40 °C
929002697402	MAS LEDstrip 12.5W965 1450LM/M 5M	-20 to +40 °C
929002697502	MAS LEDstrip 16.6W927 1830LM/M 5M	-20 to +40 °C
929002697602	MAS LEDstrip 16.6W930 1830LM/M 5M	-20 to +40 °C
929002697702	MAS LEDstrip 16.6W940 2000LM/M 5M	-20 to +40 °C
929002697802	MAS LEDstrip 16.6W965 2000LM/M 5M	-20 to +40 °C
929002697902	MAS LEDstrip 21.3W927 2400LM/M 5M	-20 to +40 °C
929002698002	MAS LEDstrip 21.3W930 2400LM/M 5M	-20 to +40 °C
929002698102	MAS LEDstrip 21.3W940 2500LM/M 5M	-20 to +40 °C
929002698202	MAS LEDstrip 21.3W965 2450LM/M 5M	-20 to +40 °C
929003167702	LS corner connector IP20 50pcs EU	-
929003167602	LS mounting clips IP20 50pcs EU	-



MASTER LED Strip



MASTER LED Strip

