

Empotrable LED superdelgado que ofrece calidad de luz superior con uniformidad extremadamente

Luz empotrable externa fina DL252

Una familia completa que brinda luz superior con una gran uniformidad y seguridad. Elige el mejor ajuste para cada proyecto, desde múltiples potencias en vatios/ paquetes lumínicos y disfruta el gran rendimiento confiable sin mantenimiento.

Beneficios

- Calidad de luz superior: luz brillante y uniforme
- Gran variedad de productos: variedad en combinaciones de lúmenes/potencia en vatios y CCT para adaptarse a aplicaciones diferentes.
- Instalación fácil: el diseño delgado asegura adaptación en espacios reducidos

Características

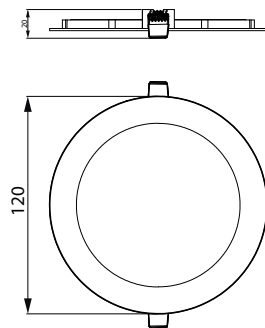
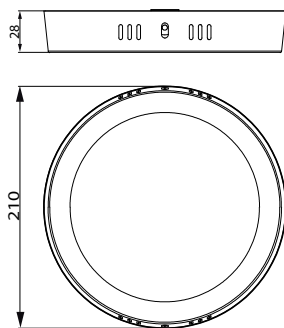
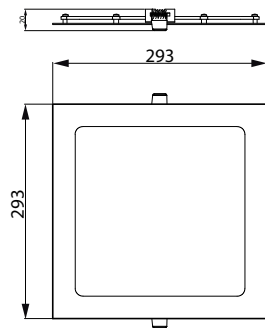
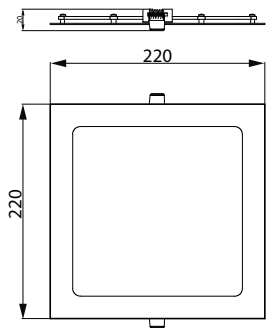
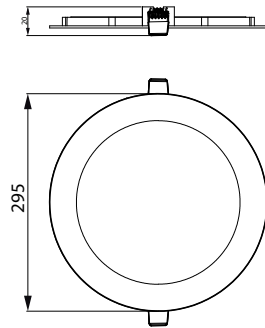
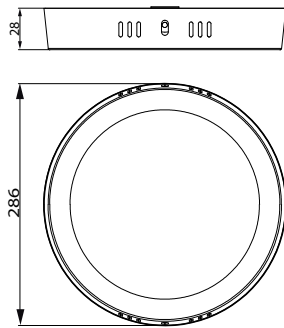
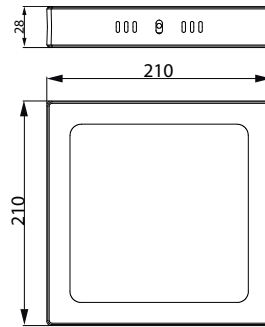
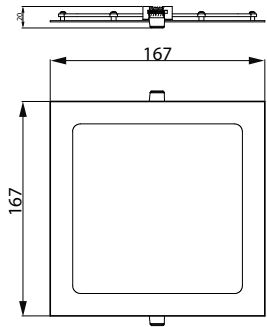
- Fortaleza de diseño con carcasa de metal
- Gran eficacia para ahorrar energía: hasta 83 lm/W
- Larga duración de 25.000 horas

Aplicaciones

- Tiendas minoristas
- Oficinas
- Hotelería

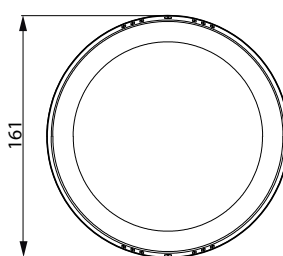
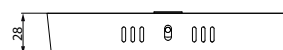
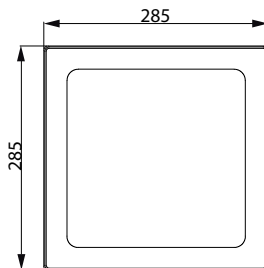
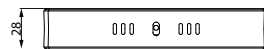
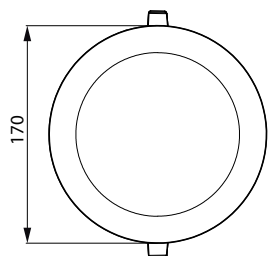
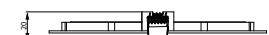
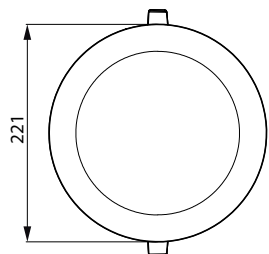
Luz empotrable externa fina DL252

Plano de dimensiones



Luz empotrable externa fina DL252

Plano de dimensiones



Luz empotrable externa fina DL252

Información general

| | |
|---------------------------------|----------|
| Controlador incluido | Sí |
| Fuente de luz reemplazable | No |
| Cantidad de unidades de equipos | 1 unidad |

Información técnica sobre la luz

| | |
|-------------------------------------|----|
| Índice de producción de color (IRC) | 80 |
|-------------------------------------|----|

Operación y aspectos eléctricos

| | |
|-------------------------|-----------------------|
| Clase de protección IEC | Clase de seguridad II |
| Voltaje de entrada | 110 a 240 V |
| Frecuencia de línea | 50 or 60 Hz |

Controles y atenuación

| | |
|-----------|----|
| Regulable | No |
|-----------|----|

Mecánica y carcasa

| | |
|---------------------------------|--------|
| Color de la carcasa | Blanco |
| Código de protección de ingreso | IP20 |

Aprobación y aplicación

| | |
|--------------------------------|---|
| Marca de inflamabilidad | Para montaje en superficies normalmente inflamables |
| Prueba de resplandor del cable | Temperatura de 650 °C, duración de 30 s |

Información técnica sobre la luz

| Order Code | Full Product Name | Temperatura de color correlacionada (nominal) | Eficacia lumínica (promedio) (nominal) | Flujo luminoso | Tipo óptico |
|--------------|---|---|--|----------------|------------------------------|
| 929002636101 | DL252 G2 SF RD LED 2000 30K 24W 11" WV | 3000 K | 83,00 lm/W | 2.000 lm | Haz de luz ancho |
| 929002636301 | DL252 G2 SF RD LED 2000 65K 24W 11" WV | 6500 K | 83,00 lm/W | 2.000 lm | Haz de luz ancho |
| 929002636001 | DL252 G2 SF SQ LED 1300 65K 18W 8" WV | 6500 K | 72,00 lm/W | 1.300 lm | Haz de luz ancho |
| 929002636401 | DL252 G2 SF SQ LED 2000 30K 24W 11" WV | 3000 K | 83,00 lm/W | 2.000 lm | Haz de luz ancho |
| 929002636501 | DL252 G2 SF SQ LED 2000 40K 24W 11" WV | 4000 K | 83,00 lm/W | 2.000 lm | Haz de luz ancho |
| 929002636601 | DL252 G2 SF SQ LED 2000 65K 24W 11" WV | 6500 K | 83,00 lm/W | 2.000 lm | Haz de luz ancho |
| 929002321901 | DL252 G2 R Rd LED 1300 30K 18W 8" WV 1pk | 3000 K | 72,00 lm/W | 1.300 lm | Haz de luz ancho |
| 929002322001 | DL252 G2 R Rd LED 1300 40K 18W 8" WV 1pk | 4000 K | 72,00 lm/W | 1.300 lm | Haz de luz ancho |
| 929002322101 | DL252 G2 R Rd LED 1300 65K 18W 8" WV 1pk | 6500 K | 72,00 lm/W | 1.300 lm | Haz de luz ancho |
| 929002322601 | DL252 G2 R Rd LED 900 40K 12W 6" WV 1pk | 4000 K | 75,00 lm/W | 900 lm | Haz de luz ancho |
| 929002322701 | DL252 G2 R Rd LED 900 65K 12W 6" WV 1pk | 6500 K | 75,00 lm/W | 900 lm | Haz de luz ancho |
| 929002345501 | DL252 G2 R Rd LED 400 40K 6W 4" WV | 4000 K | 66,00 lm/W | 400 lm | Ángulo de haz de luz de 110° |
| 929002345601 | DL252 G2 R Rd LED 400 65K 6W 4" WV | 6500 K | 66,00 lm/W | 400 lm | Ángulo de haz de luz de 110° |
| 929002346001 | DL252 G2 R Rd LED 2000 30K 24W 11" WV | 3000 K | 83,00 lm/W | 2.000 lm | Ángulo de haz de luz de 110° |
| 929002346101 | DL252 G2 R Rd LED 2000 40K 24W 11" WV | 4000 K | 83,00 lm/W | 2.000 lm | Ángulo de haz de luz de 110° |
| 929002346201 | DL252 G2 R Rd LED 2000 65K 24W 11" WV | 6500 K | 83,00 lm/W | 2.000 lm | Ángulo de haz de luz de 110° |
| 929002635001 | DL252 G2 SF RD LED 900 40K 12W 6" WV | 4000 K | 75,00 lm/W | 900 lm | Haz de luz ancho |
| 929002635101 | DL252 G2 SF RD LED 900 65K 12W 6" WV | 6500 K | 75,00 lm/W | 900 lm | Haz de luz ancho |
| 929002635501 | DL252 G2 SF RD LED 1300 30K 18W 8" WV | 3000 K | 72,00 lm/W | 1.300 lm | Haz de luz ancho |
| 929002635601 | DL252 G2 SF RD LED 1300 40K 18W 8" WV | 4000 K | 72,00 lm/W | 1.300 lm | Haz de luz ancho |
| 929002635701 | DL252 G2 SF RD LED 1300 65K 18W 8" WV | 6500 K | 72,00 lm/W | 1.300 lm | Haz de luz ancho |
| 929002322201 | DL252 G2 R SQ LED 1300 30K 18W 8" WV 1pk | 3000 K | 72,00 lm/W | 1.300 lm | Haz de luz ancho |
| 929002322301 | DL252 G2 R SQ LED 1300 40K 18W 8" WV 1pk | 4000 K | 72,00 lm/W | 1.300 lm | Haz de luz ancho |
| 929002322401 | DL252 G2 R SQ LED 1300 65K 18W 8" WV 1pk | 6500 K | 72,00 lm/W | 1.300 lm | Haz de luz ancho |

Luz empotrable externa fina DL252

| Order Code | Full Product Name | Temperatura de color correlacionada (nominal) | Eficacia luminica (promedio) (nominal) | Flujo luminoso | Tipo óptico |
|--------------|---|---|--|----------------|------------------------------|
| 929002322901 | DL252 G2 R SQ LED 900 40K 12W 6" WV 1pk | 4000 K | 75,00 lm/W | 900 lm | Haz de luz ancho |
| 929002346401 | DL252 G2 R SQ LED 2000 40K 24W 11" WV | 4000 K | 83,00 lm/W | 2.000 lm | Ángulo de haz de luz de 110° |
| 929002346501 | DL252 G2 R SQ LED 2000 65K 24W 11" WV | 6500 K | 83,00 lm/W | 2.000 lm | Ángulo de haz de luz de 110° |

Operación y aspectos eléctricos

| Order Code | Full Product Name | Consumo de energía | Apta para aplicaciones de alternado aleatorio |
|--------------|--|--------------------|---|
| 929002636101 | DL252 G2 SF RD LED 2000 30K 24W 11" WV | 24 W | No |
| 929002636301 | DL252 G2 SF RD LED 2000 65K 24W 11" WV | 24 W | No |
| 929002636001 | DL252 G2 SF SQ LED 1300 65K 18W 8" WV | 18 W | No |
| 929002636401 | DL252 G2 SF SQ LED 2000 30K 24W 11" WV | 24 W | No |
| 929002636501 | DL252 G2 SF SQ LED 2000 40K 24W 11" WV | 24 W | No |
| 929002636601 | DL252 G2 SF SQ LED 2000 65K 24W 11" WV | 24 W | No |
| 929002321901 | DL252 G2 R Rd LED 1300 30K 18W 8" WV 1pk | 18 W | No |
| 929002322001 | DL252 G2 R Rd LED 1300 40K 18W 8" WV 1pk | 18 W | No |
| 929002322101 | DL252 G2 R Rd LED 1300 65K 18W 8" WV 1pk | 18 W | No |
| 929002322601 | DL252 G2 R Rd LED 900 40K 12W 6" WV 1pk | 12 W | No |
| 929002322701 | DL252 G2 R Rd LED 900 65K 12W 6" WV 1pk | 12 W | No |
| 929002345501 | DL252 G2 R Rd LED 400 40K 6W 4" WV | 6 W | No aplica |
| 929002345601 | DL252 G2 R Rd LED 400 65K 6W 4" WV | 6 W | No aplica |
| 929002346001 | DL252 G2 R Rd LED 2000 30K 24W 11" WV | 24 W | No aplica |

| Order Code | Full Product Name | Consumo de energía | Apta para aplicaciones de alternado aleatorio |
|--------------|--|--------------------|---|
| 929002346101 | DL252 G2 R Rd LED 2000 40K 24W 11" WV | 24 W | No aplica |
| 929002346201 | DL252 G2 R Rd LED 2000 65K 24W 11" WV | 24 W | No aplica |
| 929002635001 | DL252 G2 SF RD LED 900 40K 12W 6" WV | 12 W | No |
| 929002635101 | DL252 G2 SF RD LED 900 65K 12W 6" WV | 12 W | No |
| 929002635501 | DL252 G2 SF RD LED 1300 30K 18W 8" WV | 18 W | No |
| 929002635601 | DL252 G2 SF RD LED 1300 40K 18W 8" WV | 18 W | No |
| 929002635701 | DL252 G2 SF RD LED 1300 65K 18W 8" WV | 18 W | No |
| 929002322201 | DL252 G2 R SQ LED 1300 30K 18W 8" WV 1pk | 18 W | No |
| 929002322301 | DL252 G2 R SQ LED 1300 40K 18W 8" WV 1pk | 18 W | No |
| 929002322401 | DL252 G2 R SQ LED 1300 65K 18W 8" WV 1pk | 18 W | No |
| 929002322901 | DL252 G2 R SQ LED 900 40K 12W 6" WV 1pk | 12 W | No |
| 929002346401 | DL252 G2 R SQ LED 2000 40K 24W 11" WV | 24 W | No aplica |
| 929002346501 | DL252 G2 R SQ LED 2000 65K 24W 11" WV | 24 W | No aplica |

Mecánica y carcasa

| Order Code | Full Product Name | Código de protección de impacto mec. |
|--------------|--|--------------------------------------|
| 929002636101 | DL252 G2 SF RD LED 2000 30K 24W 11" WV | IK01 |
| 929002636301 | DL252 G2 SF RD LED 2000 65K 24W 11" WV | IK01 |

| Order Code | Full Product Name | Código de protección de impacto mec. |
|--------------|--|--------------------------------------|
| 929002636001 | DL252 G2 SF SQ LED 1300 65K 18W 8" WV | IK01 |
| 929002636401 | DL252 G2 SF SQ LED 2000 30K 24W 11" WV | IK01 |

Luz empotrable externa fina DL252

| Order Code | Full Product Name | Código de protección de impacto mec. |
|--------------|--|--------------------------------------|
| 929002636501 | DL252 G2 SF SQ LED 2000 40K 24W 11" WV | IK01 |
| 929002636601 | DL252 G2 SF SQ LED 2000 65K 24W 11" WV | IK01 |
| 929002321901 | DL252 G2 R Rd LED 1300 30K 18W 8" WV 1pk | IK01 |
| 929002322001 | DL252 G2 R Rd LED 1300 40K 18W 8" WV 1pk | IK01 |
| 929002322101 | DL252 G2 R Rd LED 1300 65K 18W 8" WV 1pk | IK01 |
| 929002322601 | DL252 G2 R Rd LED 900 40K 12W 6" WV 1pk | IK01 |
| 929002322701 | DL252 G2 R Rd LED 900 65K 12W 6" WV 1pk | IK01 |
| 929002345501 | DL252 G2 R Rd LED 400 40K 6W 4" WV | IK03 |
| 929002345601 | DL252 G2 R Rd LED 400 65K 6W 4" WV | IK03 |
| 929002346001 | DL252 G2 R Rd LED 2000 30K 24W 11" WV | IK03 |
| 929002346101 | DL252 G2 R Rd LED 2000 40K 24W 11" WV | IK03 |
| 929002346201 | DL252 G2 R Rd LED 2000 65K 24W 11" WV | IK03 |

| Order Code | Full Product Name | Código de protección de impacto mec. |
|--------------|--|--------------------------------------|
| 929002635001 | DL252 G2 SF RD LED 900 40K 12W 6" WV | IK01 |
| 929002635101 | DL252 G2 SF RD LED 900 65K 12W 6" WV | IK01 |
| 929002635501 | DL252 G2 SF RD LED 1300 30K 18W 8" WV | IK01 |
| 929002635601 | DL252 G2 SF RD LED 1300 40K 18W 8" WV | IK01 |
| 929002635701 | DL252 G2 SF RD LED 1300 65K 18W 8" WV | IK01 |
| 929002322201 | DL252 G2 R SQ LED 1300 30K 18W 8" WV 1pk | IK01 |
| 929002322301 | DL252 G2 R SQ LED 1300 40K 18W 8" WV 1pk | IK01 |
| 929002322401 | DL252 G2 R SQ LED 1300 65K 18W 8" WV 1pk | IK01 |
| 929002322901 | DL252 G2 R SQ LED 900 40K 12W 6" WV 1pk | IK01 |
| 929002346401 | DL252 G2 R SQ LED 2000 40K 24W 11" WV | IK03 |
| 929002346501 | DL252 G2 R SQ LED 2000 65K 24W 11" WV | IK03 |

Aprobación y aplicación

| Order Code | Full Product Name | Rango de temperatura ambiente |
|--------------|--|-------------------------------|
| 929002636101 | DL252 G2 SF RD LED 2000 30K 24W 11" WV | -20 a +40 °C |
| 929002636301 | DL252 G2 SF RD LED 2000 65K 24W 11" WV | -20 a +40 °C |
| 929002636001 | DL252 G2 SF SQ LED 1300 65K 18W 8" WV | -20 a +40 °C |
| 929002636401 | DL252 G2 SF SQ LED 2000 30K 24W 11" WV | -20 a +40 °C |
| 929002636501 | DL252 G2 SF SQ LED 2000 40K 24W 11" WV | -20 a +40 °C |
| 929002636601 | DL252 G2 SF SQ LED 2000 65K 24W 11" WV | -20 a +40 °C |
| 929002321901 | DL252 G2 R Rd LED 1300 30K 18W 8" WV 1pk | -20 a +40 °C |
| 929002322001 | DL252 G2 R Rd LED 1300 40K 18W 8" WV 1pk | -20 a +40 °C |
| 929002322101 | DL252 G2 R Rd LED 1300 65K 18W 8" WV 1pk | -20 a +40 °C |
| 929002322601 | DL252 G2 R Rd LED 900 40K 12W 6" WV 1pk | -20 a +40 °C |
| 929002322701 | DL252 G2 R Rd LED 900 65K 12W 6" WV 1pk | -20 a +40 °C |
| 929002345501 | DL252 G2 R Rd LED 400 40K 6W 4" WV | -10 a +40 °C |
| 929002345601 | DL252 G2 R Rd LED 400 65K 6W 4" WV | -10 a +40 °C |
| 929002346001 | DL252 G2 R Rd LED 2000 30K 24W 11" WV | -10 a +40 °C |

| Order Code | Full Product Name | Rango de temperatura ambiente |
|--------------|--|-------------------------------|
| 929002346101 | DL252 G2 R Rd LED 2000 40K 24W 11" WV | -10 a +40 °C |
| 929002346201 | DL252 G2 R Rd LED 2000 65K 24W 11" WV | -10 a +40 °C |
| 929002635001 | DL252 G2 SF RD LED 900 40K 12W 6" WV | -20 a +40 °C |
| 929002635101 | DL252 G2 SF RD LED 900 65K 12W 6" WV | -20 a +40 °C |
| 929002635501 | DL252 G2 SF RD LED 1300 30K 18W 8" WV | -20 a +40 °C |
| 929002635601 | DL252 G2 SF RD LED 1300 40K 18W 8" WV | -20 a +40 °C |
| 929002635701 | DL252 G2 SF RD LED 1300 65K 18W 8" WV | -20 a +40 °C |
| 929002322201 | DL252 G2 R SQ LED 1300 30K 18W 8" WV 1pk | -20 a +40 °C |
| 929002322301 | DL252 G2 R SQ LED 1300 40K 18W 8" WV 1pk | -20 a +40 °C |
| 929002322401 | DL252 G2 R SQ LED 1300 65K 18W 8" WV 1pk | -20 a +40 °C |
| 929002322901 | DL252 G2 R SQ LED 900 40K 12W 6" WV 1pk | -20 a +40 °C |
| 929002346401 | DL252 G2 R SQ LED 2000 40K 24W 11" WV | -10 a +40 °C |
| 929002346501 | DL252 G2 R SQ LED 2000 65K 24W 11" WV | -10 a +40 °C |

Rendimiento inicial (cumple con normas IEC)

| Order Code | Full Product Name | Cromaticidad inicial | Tolerancia del flujo luminoso |
|--------------|--|----------------------|-------------------------------|
| 929002636101 | DL252 G2 SF RD LED 2000 30K 24W 11" WV | (0.440, 0.403) <6 | +10%/-15% |
| 929002636301 | DL252 G2 SF RD LED 2000 65K 24W 11" WV | (0.313, 0.337) <6 | +10%/-15% |
| 929002636001 | DL252 G2 SF SQ LED 1300 65K 18W 8" WV | (0.313, 0.337) <6 | +10%/-15% |
| 929002636401 | DL252 G2 SF SQ LED 2000 30K 24W 11" WV | (0.440, 0.403) <6 | +10%/-15% |
| 929002636501 | DL252 G2 SF SQ LED 2000 40K 24W 11" WV | (0.380, 0.380) <6 | +10%/-15% |
| 929002636601 | DL252 G2 SF SQ LED 2000 65K 24W 11" WV | (0.313, 0.337) <6 | +10%/-15% |

| Order Code | Full Product Name | Cromaticidad inicial | Tolerancia del flujo luminoso |
|--------------|--|-----------------------|-------------------------------|
| 929002321901 | DL252 G2 R Rd LED 1300 30K 18W 8" WV 1pk | (0.440, 0.403) <6 | +10%/-15% |
| 929002322001 | DL252 G2 R Rd LED 1300 40K 18W 8" WV 1pk | (0.380, 0.380) <6 | +10%/-15% |
| 929002322101 | DL252 G2 R Rd LED 1300 65K 18W 8" WV 1pk | (0.313, 0.337) <6 | +10%/-15% |
| 929002322601 | DL252 G2 R Rd LED 900 40K 12W 6" WV 1pk | (0.380, 0.380) <6 | +10%/-15% |
| 929002322701 | DL252 G2 R Rd LED 900 65K 12W 6" WV 1pk | (0.313, 0.337) <6 | +10%/-15% |
| 929002345501 | DL252 G2 R Rd LED 400 40K 6W 4" WV | (0.3800 , , 0.3800) 6 | - SDCM |

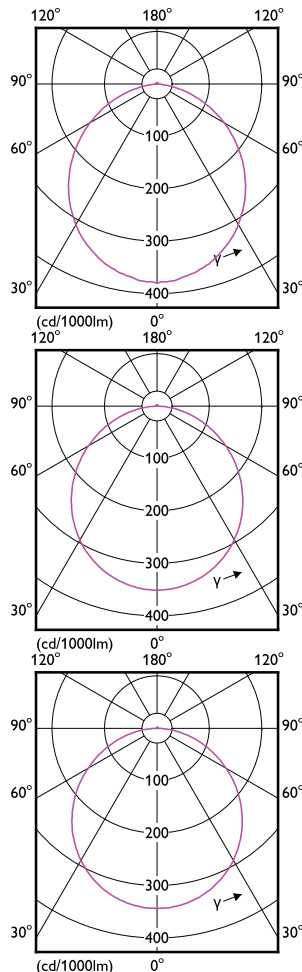
Luz empotrable externa fina DL252

| Order Code | Full Product Name | Cromaticidad inicial | Tolerancia del flujo luminoso |
|--------------|---------------------------------------|-----------------------|-------------------------------|
| 929002345601 | DL252 G2 R Rd LED 400 65K 6W 4" WV | (0.3130 , , 0.3370) 6 | - |
| | | SDCM | |
| 929002346001 | DL252 G2 R Rd LED 2000 30K 24W 11" WV | (0.4400 , , 0.4030) 6 | - |
| | | SDCM | |
| 929002346101 | DL252 G2 R Rd LED 2000 40K 24W 11" WV | (0.3800 , , 0.3800) 6 | - |
| | | SDCM | |
| 929002346201 | DL252 G2 R Rd LED 2000 65K 24W 11" WV | (0.3130 , , 0.3370) 6 | - |
| | | SDCM | |
| 929002635001 | DL252 G2 SF RD LED 900 40K 12W 6" WV | (0.380, 0.380) <6 | +10%/-15% |
| 929002635101 | DL252 G2 SF RD LED 900 65K 12W 6" WV | (0.313, 0.337) <6 | +10%/-15% |
| 929002635501 | DL252 G2 SF RD LED 1300 30K 18W 8" WV | (0.440, 0.403) <6 | +10%/-15% |
| 929002635601 | DL252 G2 SF RD LED 1300 40K 18W 8" WV | (0.380, 0.380) <6 | +10%/-15% |

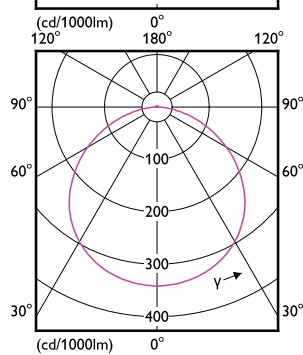
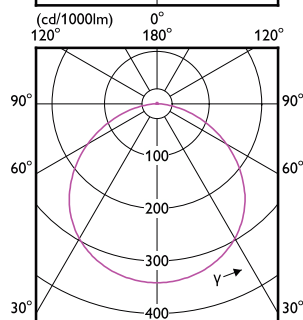
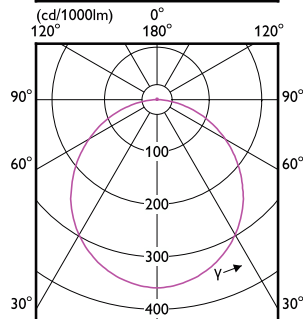
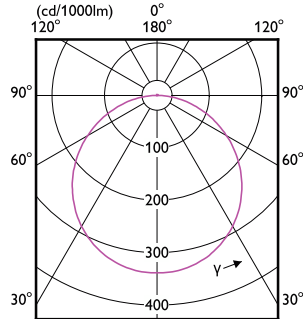
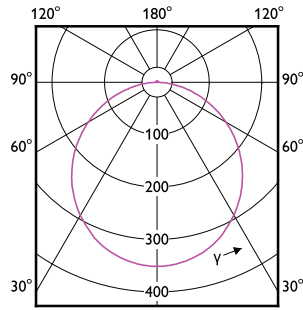
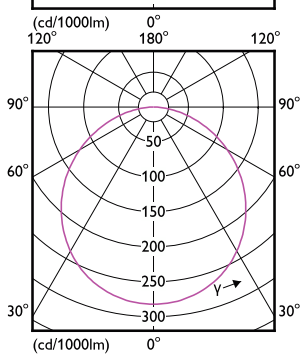
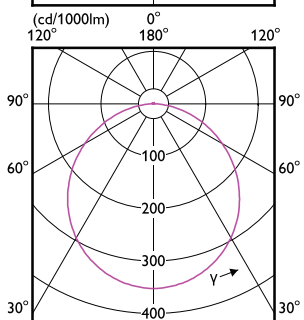
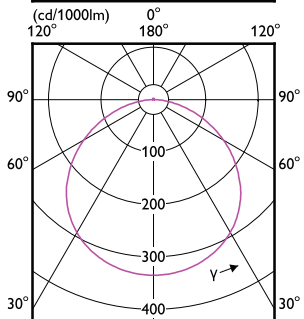
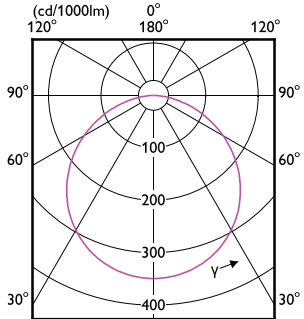
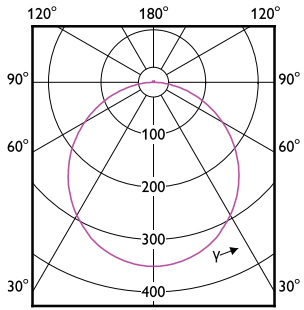
| Order Code | Full Product Name | Cromaticidad inicial | Tolerancia del flujo luminoso |
|--------------|--|-----------------------|-------------------------------|
| 929002635701 | DL252 G2 SF RD LED 1300 65K 18W 8" WV | (0.313, 0.337) <6 | +10%/-15% |
| 929002322201 | DL252 G2 R SQ LED 1300 30K 18W 8" WV 1pk | (0.440, 0.403) <6 | +10%/-15% |
| 929002322301 | DL252 G2 R SQ LED 1300 40K 18W 8" WV 1pk | (0.380, 0.380) <6 | +10%/-15% |
| 929002322401 | DL252 G2 R SQ LED 1300 65K 18W 8" WV 1pk | (0.313, 0.337) <6 | +10%/-15% |
| 929002322901 | DL252 G2 R SQ LED 900 40K 12W 6" WV 1pk | (0.380, 0.380) <6 | +10%/-15% |
| 929002346401 | DL252 G2 R SQ LED 2000 40K 24W 11" WV | (0.3800 , , 0.3800) 6 | - |
| | | SDCM | |
| 929002346501 | DL252 G2 R SQ LED 2000 65K 24W 11" WV | (0.3130 , , 0.3370) 6 | - |
| | | SDCM | |

Rendimiento a lo largo del tiempo (cumple con normas IEC)

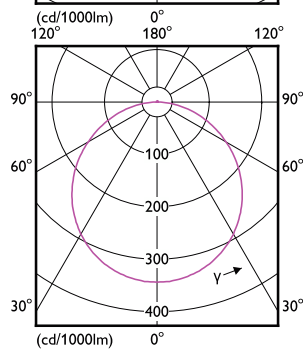
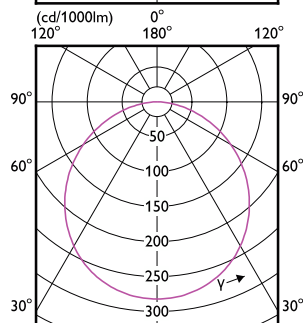
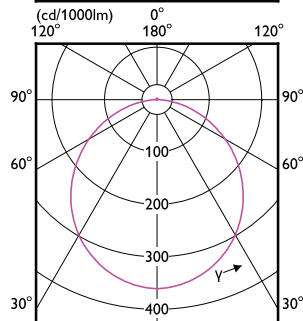
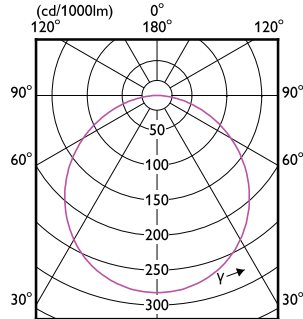
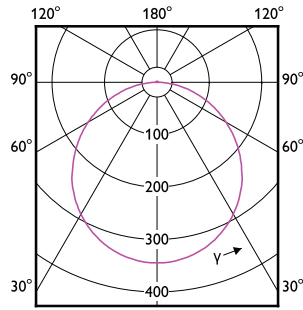
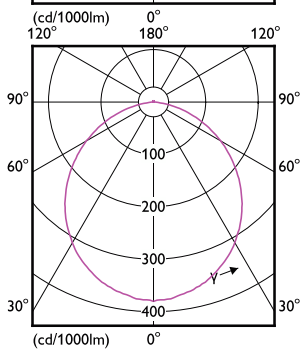
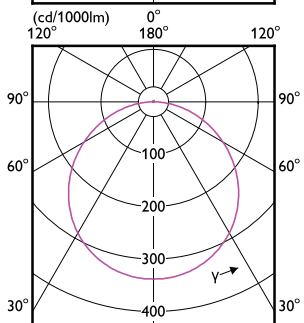
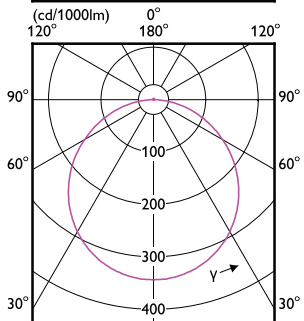
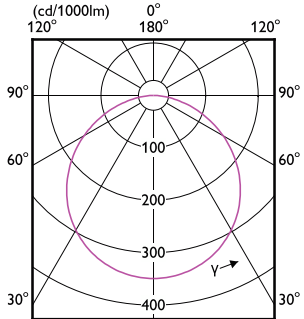
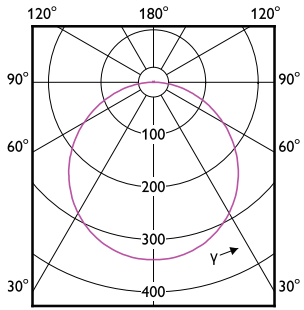
| Order Code | Full Product Name | Tasa de falla del controlador a 5000 h |
|--------------|--|--|
| 929002636101 | DL252 G2 SF RD LED 2000 30K 24W 11" WV | 0,05 % |
| 929002636301 | DL252 G2 SF RD LED 2000 65K 24W 11" WV | 0,05 % |
| 929002636001 | DL252 G2 SF SQ LED 1300 65K 18W 8" WV | 0,05 % |
| 929002636401 | DL252 G2 SF SQ LED 2000 30K 24W 11" WV | 0,05 % |
| 929002636501 | DL252 G2 SF SQ LED 2000 40K 24W 11" WV | 0,05 % |
| 929002636601 | DL252 G2 SF SQ LED 2000 65K 24W 11" WV | 0,05 % |
| 929002321901 | DL252 G2 R Rd LED 1300 30K 18W 8" WV 1pk | 0,05 % |
| 929002322001 | DL252 G2 R Rd LED 1300 40K 18W 8" WV 1pk | 0,05 % |
| 929002322101 | DL252 G2 R Rd LED 1300 65K 18W 8" WV 1pk | 0,05 % |
| 929002322601 | DL252 G2 R Rd LED 900 40K 12W 6" WV 1pk | 0,05 % |
| 929002322701 | DL252 G2 R Rd LED 900 65K 12W 6" WV 1pk | 0,05 % |
| 929002345501 | DL252 G2 R Rd LED 400 40K 6W 4" WV | 0,015 % |
| 929002345601 | DL252 G2 R Rd LED 400 65K 6W 4" WV | 0,015 % |
| 929002346001 | DL252 G2 R Rd LED 2000 30K 24W 11" WV | 0,015 % |
| 929002346101 | DL252 G2 R Rd LED 2000 40K 24W 11" WV | 0,015 % |
| 929002346201 | DL252 G2 R Rd LED 2000 65K 24W 11" WV | 0,015 % |
| 929002635001 | DL252 G2 SF RD LED 900 40K 12W 6" WV | 0,05 % |
| 929002635101 | DL252 G2 SF RD LED 900 65K 12W 6" WV | 0,05 % |
| 929002635501 | DL252 G2 SF RD LED 1300 30K 18W 8" WV | 0,05 % |
| 929002635601 | DL252 G2 SF RD LED 1300 40K 18W 8" WV | 0,05 % |
| 929002635701 | DL252 G2 SF RD LED 1300 65K 18W 8" WV | 0,05 % |
| 929002322201 | DL252 G2 R SQ LED 1300 30K 18W 8" WV 1pk | 0,05 % |
| 929002322301 | DL252 G2 R SQ LED 1300 40K 18W 8" WV 1pk | 0,05 % |
| 929002322401 | DL252 G2 R SQ LED 1300 65K 18W 8" WV 1pk | 0,05 % |
| 929002322901 | DL252 G2 R SQ LED 900 40K 12W 6" WV 1pk | 0,05 % |
| 929002346401 | DL252 G2 R SQ LED 2000 40K 24W 11" WV | 0,015 % |
| 929002346501 | DL252 G2 R SQ LED 2000 65K 24W 11" WV | 0,015 % |



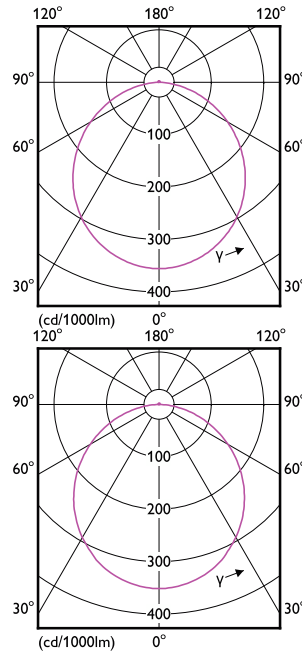
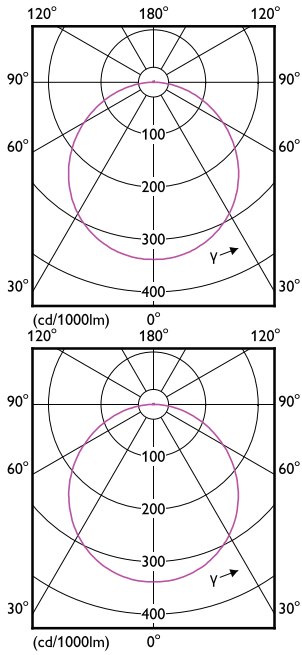
Luz empotrable externa fina DL252



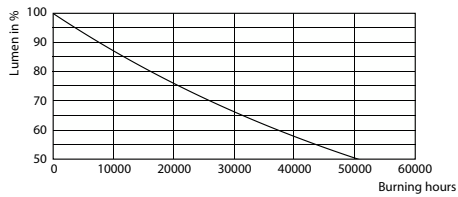
Luz empotrable externa fina DL252



Luz empotrable externa fina DL252



Beam Diagrams



Beam diagram - DL252 G2 R Rd LED 1300 40K
18W 8" WV 1pk

