

Empotrable LED superdelgado que ofrece calidad de luz superior con uniformidad extremadamente

Luz empotrable externa fina DL252

Una familia completa que brinda luz superior con una gran uniformidad y seguridad. Elige el mejor ajuste para cada proyecto, desde múltiples potencias en vatios/ paquetes lumínicos y disfruta el gran rendimiento confiable sin mantenimiento.

Beneficios

- Calidad de luz superior: luz brillante y uniforme
- Gran variedad de productos: variedad en combinaciones de lúmenes/potencia en vatios y CCT para adaptarse a aplicaciones diferentes.
- Instalación fácil: el diseño delgado asegura adaptación en espacios reducidos

Características

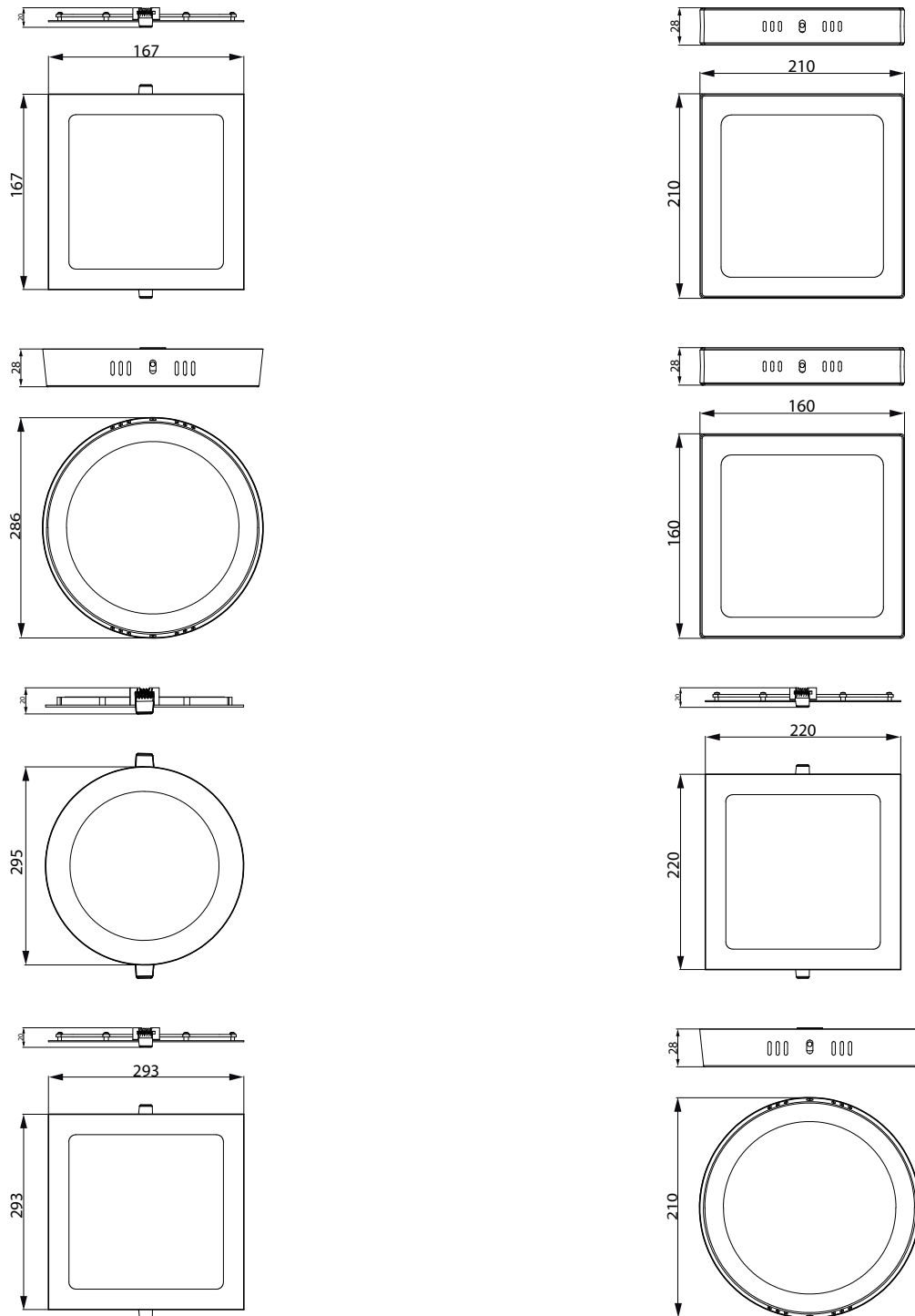
- Fortaleza de diseño con carcasa de metal
- Gran eficacia para ahorrar energía: hasta 83 lm/W
- Larga duración de 25.000 horas

Aplicaciones

- Tiendas minoristas
- Oficinas
- Hotelería

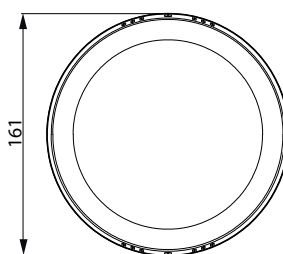
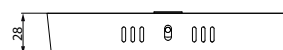
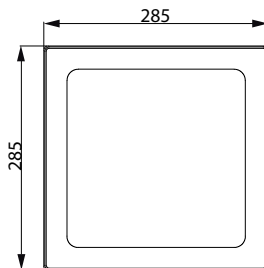
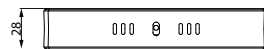
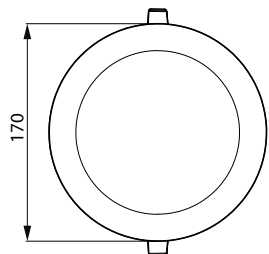
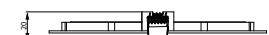
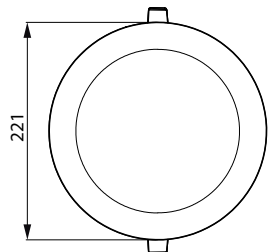
Luz empotrable externa fina DL252

Plano de dimensiones



Luz empotrable externa fina DL252

Plano de dimensiones



Luz empotrable externa fina DL252

Información general

Controlador incluido	Sí
Fuente de luz reemplazable	No
Cantidad de unidades de equipos	1 unidad

Información técnica sobre la luz

Índice de producción de color (IRC)	80
-------------------------------------	----

Operación y aspectos eléctricos

Clase de protección IEC	Clase de seguridad II
Voltaje de entrada	110 a 240 V
Frecuencia de línea	50 or 60 Hz

Controles y atenuación

Regulable	No
-----------	----

Mecánica y carcasa

Color de la carcasa	Blanco
Código de protección de ingreso	IP20

Aprobación y aplicación

Marca de inflamabilidad	Para montaje en superficies normalmente inflamables
Prueba de resplandor del cable	Temperatura de 650 °C, duración de 30 s

Información técnica sobre la luz

Order Code	Full Product Name	Temperatura de color correlacionada (nominal)	Eficacia lumínica (promedio) (nominal)	Flujo luminoso	Tipo óptico
929002636101	DL252 G2 SF RD LED 2000 30K 24W 11" WV	3000 K	83,00 lm/W	2.000 lm	Haz de luz ancho
929002636201	DL252 G2 SF RD LED 2000 40K 24W 11" WV	4000 K	83,00 lm/W	2.000 lm	Haz de luz ancho
929002636301	DL252 G2 SF RD LED 2000 65K 24W 11" WV	6500 K	83,00 lm/W	2.000 lm	Haz de luz ancho
929002635201	DL252 G2 SF SQ LED 900 30K 12W 6" WV	3000 K	75,00 lm/W	900 lm	Haz de luz ancho
929002635401	DL252 G2 SF SQ LED 900 65K 12W 6" WV	6500 K	75,00 lm/W	900 lm	Haz de luz ancho
929002635801	DL252 G2 SF SQ LED 1300 30K 18W 8" WV	3000 K	72,00 lm/W	1.300 lm	Haz de luz ancho
929002635901	DL252 G2 SF SQ LED 1300 40K 18W 8" WV	4000 K	72,00 lm/W	1.300 lm	Haz de luz ancho
929002636001	DL252 G2 SF SQ LED 1300 65K 18W 8" WV	6500 K	72,00 lm/W	1.300 lm	Haz de luz ancho
929002636501	DL252 G2 SF SQ LED 2000 40K 24W 11" WV	4000 K	83,00 lm/W	2.000 lm	Haz de luz ancho
929002636601	DL252 G2 SF SQ LED 2000 65K 24W 11" WV	6500 K	83,00 lm/W	2.000 lm	Haz de luz ancho
929002321901	DL252 G2 R Rd LED 1300 30K 18W 8" WV 1pk	3000 K	72,00 lm/W	1.300 lm	Haz de luz ancho
929002322001	DL252 G2 R Rd LED 1300 40K 18W 8" WV 1pk	4000 K	72,00 lm/W	1.300 lm	Haz de luz ancho
929002322101	DL252 G2 R Rd LED 1300 65K 18W 8" WV 1pk	6500 K	72,00 lm/W	1.300 lm	Haz de luz ancho
929002322501	DL252 G2 R Rd LED 900 30K 12W 6" WV 1pk	3000 K	75,00 lm/W	900 lm	Haz de luz ancho
929002322601	DL252 G2 R Rd LED 900 40K 12W 6" WV 1pk	4000 K	75,00 lm/W	900 lm	Haz de luz ancho
929002322701	DL252 G2 R Rd LED 900 65K 12W 6" WV 1pk	6500 K	75,00 lm/W	900 lm	Haz de luz ancho
929002346001	DL252 G2 R Rd LED 2000 30K 24W 11" WV	3000 K	83,00 lm/W	2.000 lm	Ángulo de haz de luz de 110°
929002346101	DL252 G2 R Rd LED 2000 40K 24W 11" WV	4000 K	83,00 lm/W	2.000 lm	Ángulo de haz de luz de 110°
929002346201	DL252 G2 R Rd LED 2000 65K 24W 11" WV	6500 K	83,00 lm/W	2.000 lm	Ángulo de haz de luz de 110°
929002634901	DL252 G2 SF RD LED 900 30K 12W 6" WV	3000 K	75,00 lm/W	900 lm	Haz de luz ancho
929002635001	DL252 G2 SF RD LED 900 40K 12W 6" WV	4000 K	75,00 lm/W	900 lm	Haz de luz ancho
929002635101	DL252 G2 SF RD LED 900 65K 12W 6" WV	6500 K	75,00 lm/W	900 lm	Haz de luz ancho
929002635501	DL252 G2 SF RD LED 1300 30K 18W 8" WV	3000 K	72,00 lm/W	1.300 lm	Haz de luz ancho
929002635601	DL252 G2 SF RD LED 1300 40K 18W 8" WV	4000 K	72,00 lm/W	1.300 lm	Haz de luz ancho

Luz empotrable externa fina DL252

Order Code	Full Product Name	Temperatura de color correlacionada (nominal)	Eficacia luminica (promedio) (nominal)	Flujo luminoso	Tipo óptico
929002635701	DL252 G2 SF RD LED 1300 65K 18W 8" WV	6500 K	72,00 lm/W	1.300 lm	Haz de luz ancho
929002322201	DL252 G2 R SQ LED 1300 30K 18W 8" WV 1pk	3000 K	72,00 lm/W	1.300 lm	Haz de luz ancho
929002322301	DL252 G2 R SQ LED 1300 40K 18W 8" WV 1pk	4000 K	72,00 lm/W	1.300 lm	Haz de luz ancho
929002322401	DL252 G2 R SQ LED 1300 65K 18W 8" WV 1pk	6500 K	72,00 lm/W	1.300 lm	Haz de luz ancho
929002322801	DL252 G2 R SQ LED 900 30K 12W 6" WV 1pk	3000 K	75,00 lm/W	900 lm	Haz de luz ancho
929002322901	DL252 G2 R SQ LED 900 40K 12W 6" WV 1pk	4000 K	75,00 lm/W	900 lm	Haz de luz ancho
929002323001	DL252 G2 R SQ LED 900 65K 12W 6" WV 1pk	6500 K	75,00 lm/W	900 lm	Haz de luz ancho
929002346301	DL252 G2 R SQ LED 2000 30K 24W 11" WV	3000 K	79,00 lm/W	2.000 lm	Ángulo de haz de luz de 110°
929002346401	DL252 G2 R SQ LED 2000 40K 24W 11" WV	4000 K	83,00 lm/W	2.000 lm	Ángulo de haz de luz de 110°
929002346501	DL252 G2 R SQ LED 2000 65K 24W 11" WV	6500 K	83,00 lm/W	2.000 lm	Ángulo de haz de luz de 110°

Operación y aspectos eléctricos

Order Code	Full Product Name	Consumo de energía	Apta para aplicaciones de alternado aleatorio	Order Code	Full Product Name	Consumo de energía	Apta para aplicaciones de alternado aleatorio
929002636101	DL252 G2 SF RD LED 2000 30K 24W 11" WV	24 W	No	929002322001	DL252 G2 R Rd LED 1300 40K 18W 8" WV 1pk	18 W	No
929002636201	DL252 G2 SF RD LED 2000 40K 24W 11" WV	24 W	No	929002322101	DL252 G2 R Rd LED 1300 65K 18W 8" WV 1pk	18 W	No
929002636301	DL252 G2 SF RD LED 2000 65K 24W 11" WV	24 W	No	929002322501	DL252 G2 R Rd LED 900 30K 12W 6" WV 1pk	12 W	No
929002635201	DL252 G2 SF SQ LED 900 30K 12W 6" WV	12 W	No	929002322601	DL252 G2 R Rd LED 900 40K 12W 6" WV 1pk	12 W	No
929002635401	DL252 G2 SF SQ LED 900 65K 12W 6" WV	12 W	No	929002322701	DL252 G2 R Rd LED 900 65K 12W 6" WV 1pk	12 W	No
929002635801	DL252 G2 SF SQ LED 1300 30K 18W 8" WV	18 W	No	929002346001	DL252 G2 R Rd LED 2000 30K 24W 11" WV	24 W	No aplica
929002635901	DL252 G2 SF SQ LED 1300 40K 18W 8" WV	18 W	No	929002346101	DL252 G2 R Rd LED 2000 40K 24W 11" WV	24 W	No aplica
929002636001	DL252 G2 SF SQ LED 1300 65K 18W 8" WV	18 W	No	929002346201	DL252 G2 R Rd LED 2000 65K 24W 11" WV	24 W	No aplica
929002636501	DL252 G2 SF SQ LED 2000 40K 24W 11" WV	24 W	No	929002634901	DL252 G2 SF RD LED 900 30K 12W 6" WV	12 W	No
929002636601	DL252 G2 SF SQ LED 2000 65K 24W 11" WV	24 W	No	929002635001	DL252 G2 SF RD LED 900 40K 12W 6" WV	12 W	No
929002321901	DL252 G2 R Rd LED 1300 30K 18W 8" WV 1pk	18 W	No	929002635101	DL252 G2 SF RD LED 900 65K 12W 6" WV	12 W	No

Luz empotrable externa fina DL252

Order Code	Full Product Name	Consumo de energía	Apta para aplicaciones de alternado aleatorio
929002635501	DL252 G2 SF RD LED 1300 30K 18W 8" WV	18 W	No
929002635601	DL252 G2 SF RD LED 1300 40K 18W 8" WV	18 W	No
929002635701	DL252 G2 SF RD LED 1300 65K 18W 8" WV	18 W	No
929002322201	DL252 G2 R SQ LED 1300 30K 18W 8" WV 1pk	18 W	No
929002322301	DL252 G2 R SQ LED 1300 40K 18W 8" WV 1pk	18 W	No
929002322401	DL252 G2 R SQ LED 1300 65K 18W 8" WV 1pk	18 W	No

Order Code	Full Product Name	Consumo de energía	Apta para aplicaciones de alternado aleatorio
929002322801	DL252 G2 R SQ LED 900 30K 12W 6" WV 1pk	12 W	No
929002322901	DL252 G2 R SQ LED 900 40K 12W 6" WV 1pk	12 W	No
929002323001	DL252 G2 R SQ LED 900 65K 12W 6" WV 1pk	12 W	No
929002346301	DL252 G2 R SQ LED 2000 30K 24W 11" WV	24 W	No aplica
929002346401	DL252 G2 R SQ LED 2000 40K 24W 11" WV	24 W	No aplica
929002346501	DL252 G2 R SQ LED 2000 65K 24W 11" WV	24 W	No aplica

Mecánica y carcasa

Order Code	Full Product Name	Código de protección de impacto mec.
929002636101	DL252 G2 SF RD LED 2000 30K 24W 11" WV	IK01
929002636201	DL252 G2 SF RD LED 2000 40K 24W 11" WV	IK01
929002636301	DL252 G2 SF RD LED 2000 65K 24W 11" WV	IK01
929002635201	DL252 G2 SF SQ LED 900 30K 12W 6" WV	IK01
929002635401	DL252 G2 SF SQ LED 900 65K 12W 6" WV	IK01
929002635801	DL252 G2 SF SQ LED 1300 30K 18W 8" WV	IK01
929002635901	DL252 G2 SF SQ LED 1300 40K 18W 8" WV	IK01
929002636001	DL252 G2 SF SQ LED 1300 65K 18W 8" WV	IK01
929002636501	DL252 G2 SF SQ LED 2000 40K 24W 11" WV	IK01
929002636601	DL252 G2 SF SQ LED 2000 65K 24W 11" WV	IK01
929002321901	DL252 G2 R Rd LED 1300 30K 18W 8" WV 1pk	IK01
929002322001	DL252 G2 R Rd LED 1300 40K 18W 8" WV 1pk	IK01
929002322101	DL252 G2 R Rd LED 1300 65K 18W 8" WV 1pk	IK01
929002322501	DL252 G2 R Rd LED 900 30K 12W 6" WV 1pk	IK01
929002322601	DL252 G2 R Rd LED 900 40K 12W 6" WV 1pk	IK01
929002322701	DL252 G2 R Rd LED 900 65K 12W 6" WV 1pk	IK01
929002346001	DL252 G2 R Rd LED 2000 30K 24W 11" WV	IK03

Order Code	Full Product Name	Código de protección de impacto mec.
929002346101	DL252 G2 R Rd LED 2000 40K 24W 11" WV	IK03
929002346201	DL252 G2 R Rd LED 2000 65K 24W 11" WV	IK03
929002634901	DL252 G2 SF RD LED 900 30K 12W 6" WV	IK01
929002635001	DL252 G2 SF RD LED 900 40K 12W 6" WV	IK01
929002635101	DL252 G2 SF RD LED 900 65K 12W 6" WV	IK01
929002635501	DL252 G2 SF RD LED 1300 30K 18W 8" WV	IK01
929002635601	DL252 G2 SF RD LED 1300 40K 18W 8" WV	IK01
929002635701	DL252 G2 SF RD LED 1300 65K 18W 8" WV	IK01
929002322201	DL252 G2 R SQ LED 1300 30K 18W 8" WV 1pk	IK01
929002322301	DL252 G2 R SQ LED 1300 40K 18W 8" WV 1pk	IK01
929002322401	DL252 G2 R SQ LED 1300 65K 18W 8" WV 1pk	IK01
929002322801	DL252 G2 R SQ LED 900 30K 12W 6" WV 1pk	IK01
929002322901	DL252 G2 R SQ LED 900 40K 12W 6" WV 1pk	IK01
929002323001	DL252 G2 R SQ LED 900 65K 12W 6" WV 1pk	IK01
929002346301	DL252 G2 R SQ LED 2000 30K 24W 11" WV	IK03
929002346401	DL252 G2 R SQ LED 2000 40K 24W 11" WV	IK03
929002346501	DL252 G2 R SQ LED 2000 65K 24W 11" WV	IK03

Aprobación y aplicación

Order Code	Full Product Name	Rango de temperatura ambiente
929002636101	DL252 G2 SF RD LED 2000 30K 24W 11" WV	-20 a +40 °C
929002636201	DL252 G2 SF RD LED 2000 40K 24W 11" WV	-20 a +40 °C
929002636301	DL252 G2 SF RD LED 2000 65K 24W 11" WV	-20 a +40 °C
929002635201	DL252 G2 SF SQ LED 900 30K 12W 6" WV	-20 a +40 °C
929002635401	DL252 G2 SF SQ LED 900 65K 12W 6" WV	-20 a +40 °C
929002635801	DL252 G2 SF SQ LED 1300 30K 18W 8" WV	-20 a +40 °C
929002635901	DL252 G2 SF SQ LED 1300 40K 18W 8" WV	-20 a +40 °C
929002636001	DL252 G2 SF SQ LED 1300 65K 18W 8" WV	-20 a +40 °C
929002636501	DL252 G2 SF SQ LED 2000 40K 24W 11" WV	-20 a +40 °C

Order Code	Full Product Name	Rango de temperatura ambiente
929002636601	DL252 G2 SF SQ LED 2000 65K 24W 11" WV	-20 a +40 °C
929002321901	DL252 G2 R Rd LED 1300 30K 18W 8" WV 1pk	-20 a +40 °C
929002322001	DL252 G2 R Rd LED 1300 40K 18W 8" WV 1pk	-20 a +40 °C
929002322101	DL252 G2 R Rd LED 1300 65K 18W 8" WV 1pk	-20 a +40 °C
929002322501	DL252 G2 R Rd LED 900 30K 12W 6" WV 1pk	-20 a +40 °C
929002322601	DL252 G2 R Rd LED 900 40K 12W 6" WV 1pk	-20 a +40 °C
929002322701	DL252 G2 R Rd LED 900 65K 12W 6" WV 1pk	-20 a +40 °C
929002346001	DL252 G2 R Rd LED 2000 30K 24W 11" WV	-10 a +40 °C
929002346101	DL252 G2 R Rd LED 2000 40K 24W 11" WV	-10 a +40 °C

Luz empotrable externa fina DL252

Order Code	Full Product Name	Rango de temperatura ambiente
929002346201	DL252 G2 R Rd LED 2000 65K 24W 11" WV	-10 a +40 °C
929002634901	DL252 G2 SF RD LED 900 30K 12W 6" WV	-20 a +40 °C
929002635001	DL252 G2 SF RD LED 900 40K 12W 6" WV	-20 a +40 °C
929002635101	DL252 G2 SF RD LED 900 65K 12W 6" WV	-20 a +40 °C
929002635501	DL252 G2 SF RD LED 1300 30K 18W 8" WV	-20 a +40 °C
929002635601	DL252 G2 SF RD LED 1300 40K 18W 8" WV	-20 a +40 °C
929002635701	DL252 G2 SF RD LED 1300 65K 18W 8" WV	-20 a +40 °C
929002322201	DL252 G2 R SQ LED 1300 30K 18W 8" WV 1pk	-20 a +40 °C

Order Code	Full Product Name	Rango de temperatura ambiente
929002322301	DL252 G2 R SQ LED 1300 40K 18W 8" WV 1pk	-20 a +40 °C
929002322401	DL252 G2 R SQ LED 1300 65K 18W 8" WV 1pk	-20 a +40 °C
929002322801	DL252 G2 R SQ LED 900 30K 12W 6" WV 1pk	-20 a +40 °C
929002322901	DL252 G2 R SQ LED 900 40K 12W 6" WV 1pk	-20 a +40 °C
929002323001	DL252 G2 R SQ LED 900 65K 12W 6" WV 1pk	-20 a +40 °C
929002346301	DL252 G2 R SQ LED 2000 30K 24W 11" WV	-10 a +40 °C
929002346401	DL252 G2 R SQ LED 2000 40K 24W 11" WV	-10 a +40 °C
929002346501	DL252 G2 R SQ LED 2000 65K 24W 11" WV	-10 a +40 °C

Rendimiento inicial (cumple con normas IEC)

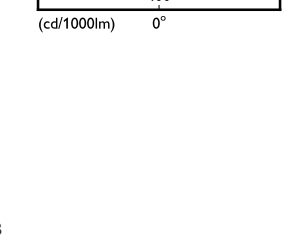
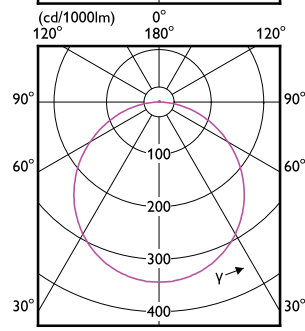
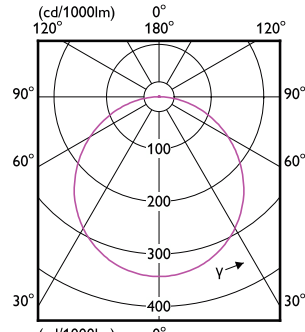
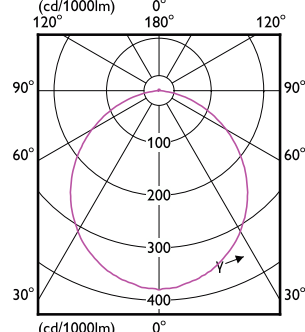
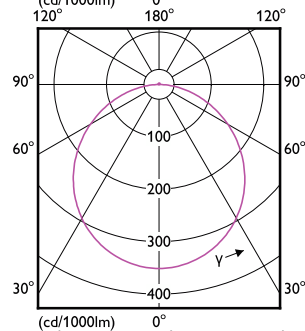
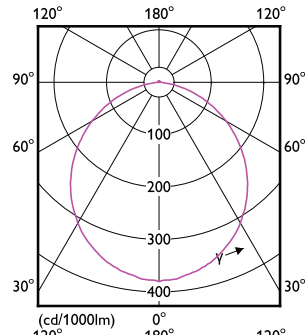
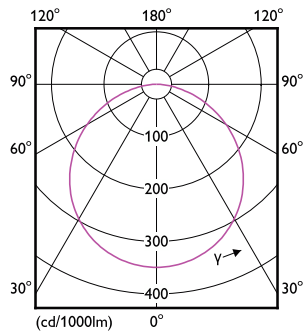
Order Code	Full Product Name	Cromaticidad inicial	Tolerancia del flujo luminoso
929002636101	DL252 G2 SF RD LED 2000 30K 24W 11" WV	(0.440, 0.403) <6	+10%/-15%
929002636201	DL252 G2 SF RD LED 2000 40K 24W 11" WV	(0.380, 0.380) <6	+10%/-15%
929002636301	DL252 G2 SF RD LED 2000 65K 24W 11" WV	(0.313, 0.337) <6	+10%/-15%
929002635201	DL252 G2 SF SQ LED 900 30K 12W 6" WV	(0.440, 0.403) <6	+10%/-15%
929002635401	DL252 G2 SF SQ LED 900 65K 12W 6" WV	(0.313, 0.337) <6	+10%/-15%
929002635801	DL252 G2 SF SQ LED 1300 30K 18W 8" WV	(0.440, 0.403) <6	+10%/-15%
929002635901	DL252 G2 SF SQ LED 1300 40K 18W 8" WV	(0.380, 0.380) <6	+10%/-15%
929002636001	DL252 G2 SF SQ LED 1300 65K 18W 8" WV	(0.313, 0.337) <6	+10%/-15%
929002636501	DL252 G2 SF SQ LED 2000 40K 24W 11" WV	(0.380, 0.380) <6	+10%/-15%
929002636601	DL252 G2 SF SQ LED 2000 65K 24W 11" WV	(0.313, 0.337) <6	+10%/-15%
929002321901	DL252 G2 R Rd LED 1300 30K 18W 8" WV 1pk	(0.440, 0.403) <6	+10%/-15%
929002322001	DL252 G2 R Rd LED 1300 40K 18W 8" WV 1pk	(0.380, 0.380) <6	+10%/-15%
929002322101	DL252 G2 R Rd LED 1300 65K 18W 8" WV 1pk	(0.313, 0.337) <6	+10%/-15%
929002322501	DL252 G2 R Rd LED 900 30K 12W 6" WV 1pk	(0.440, 0.403) <6	+10%/-15%
929002322601	DL252 G2 R Rd LED 900 40K 12W 6" WV 1pk	(0.380, 0.380) <6	+10%/-15%
929002322701	DL252 G2 R Rd LED 900 65K 12W 6" WV 1pk	(0.313, 0.337) <6	+10%/-15%
929002346001	DL252 G2 R Rd LED 2000 30K 24W 11" WV	(0.4400 , , 0.4030) 6	- SDCM

Order Code	Full Product Name	Cromaticidad inicial	Tolerancia del flujo luminoso
929002346101	DL252 G2 R Rd LED 2000 40K 24W 11" WV	(0.3800 , , 0.3800) 6	- SDCM
929002346201	DL252 G2 R Rd LED 2000 65K 24W 11" WV	(0.3130 , , 0.3370) 6	- SDCM
929002634901	DL252 G2 SF RD LED 900 30K 12W 6" WV	(0.440, 0.403) <6	+10%/-15%
929002635001	DL252 G2 SF RD LED 900 40K 12W 6" WV	(0.380, 0.380) <6	+10%/-15%
929002635101	DL252 G2 SF RD LED 900 65K 12W 6" WV	(0.313, 0.337) <6	+10%/-15%
929002635501	DL252 G2 SF RD LED 1300 30K 18W 8" WV	(0.440, 0.403) <6	+10%/-15%
929002635601	DL252 G2 SF RD LED 1300 40K 18W 8" WV	(0.380, 0.380) <6	+10%/-15%
929002635701	DL252 G2 SF RD LED 1300 65K 18W 8" WV	(0.313, 0.337) <6	+10%/-15%
929002322201	DL252 G2 R SQ LED 1300 30K 18W 8" WV 1pk	(0.440, 0.403) <6	+10%/-15%
929002322301	DL252 G2 R SQ LED 1300 40K 18W 8" WV 1pk	(0.380, 0.380) <6	+10%/-15%
929002322401	DL252 G2 R SQ LED 1300 65K 18W 8" WV 1pk	(0.313, 0.337) <6	+10%/-15%
929002322801	DL252 G2 R SQ LED 900 30K 12W 6" WV 1pk	(0.440, 0.403) <6	+10%/-15%
929002322901	DL252 G2 R SQ LED 900 40K 12W 6" WV 1pk	(0.380, 0.380) <6	+10%/-15%
929002323001	DL252 G2 R SQ LED 900 65K 12W 6" WV 1pk	(0.313, 0.337) <6	+10%/-15%
929002346301	DL252 G2 R SQ LED 2000 30K 24W 11" WV	(0.4400 , , 0.4030) 6	- SDCM
929002346401	DL252 G2 R SQ LED 2000 40K 24W 11" WV	(0.3800 , , 0.3800) 6	- SDCM
929002346501	DL252 G2 R SQ LED 2000 65K 24W 11" WV	(0.3130 , , 0.3370) 6	- SDCM

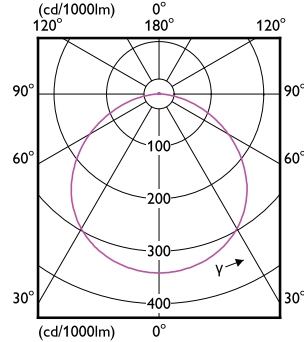
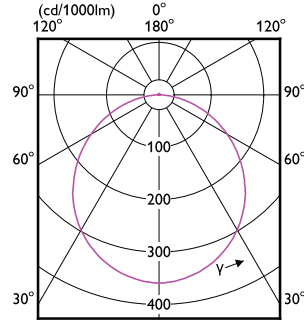
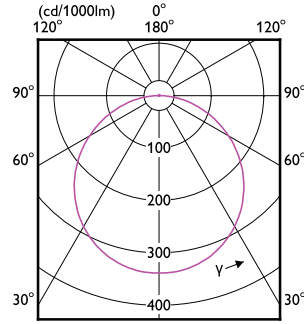
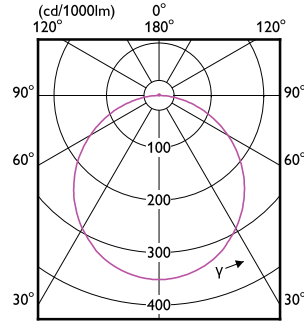
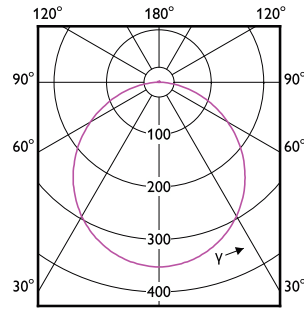
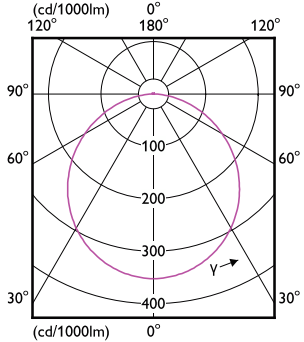
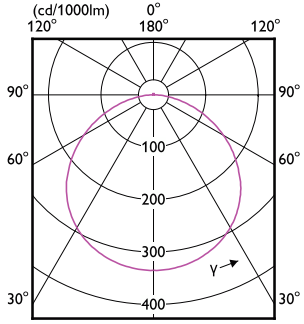
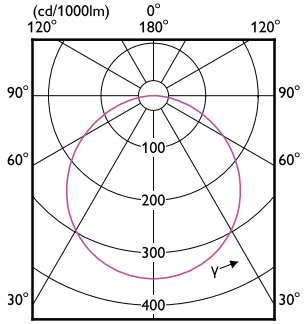
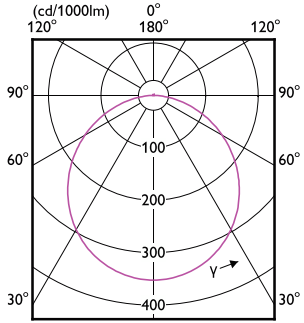
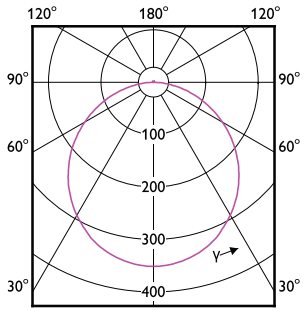
Rendimiento a lo largo del tiempo (cumple con normas IEC)

Luz empotrable externa fina DL252

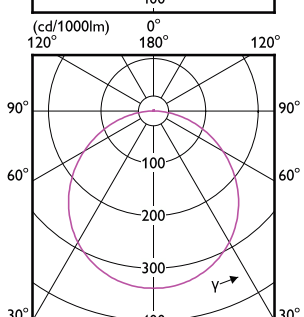
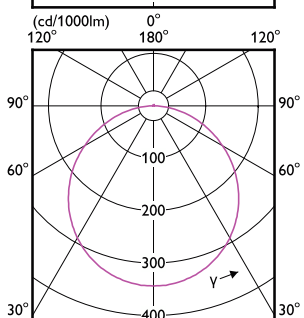
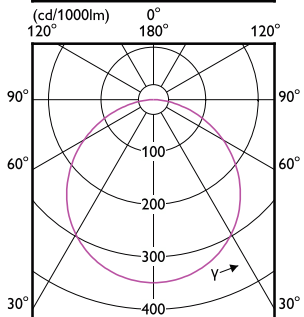
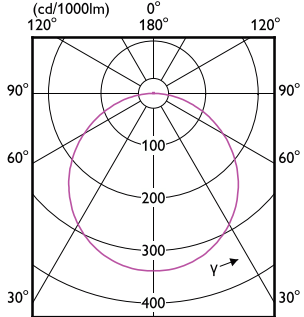
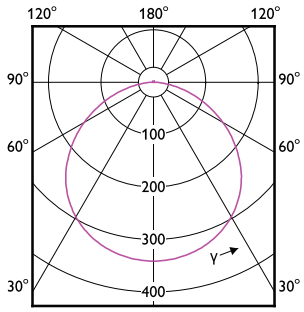
Order Code	Full Product Name	Tasa de falla del controlador a 5000 h
929002636101	DL252 G2 SF RD LED 2000 30K 24W 11" WV	0,05 %
929002636201	DL252 G2 SF RD LED 2000 40K 24W 11" WV	0,05 %
929002636301	DL252 G2 SF RD LED 2000 65K 24W 11" WV	0,05 %
929002635201	DL252 G2 SF SQ LED 900 30K 12W 6" WV	0,05 %
929002635401	DL252 G2 SF SQ LED 900 65K 12W 6" WV	0,05 %
929002635801	DL252 G2 SF SQ LED 1300 30K 18W 8" WV	0,05 %
929002635901	DL252 G2 SF SQ LED 1300 40K 18W 8" WV	0,05 %
929002636001	DL252 G2 SF SQ LED 1300 65K 18W 8" WV	0,05 %
929002636501	DL252 G2 SF SQ LED 2000 40K 24W 11" WV	0,05 %
929002636601	DL252 G2 SF SQ LED 2000 65K 24W 11" WV	0,05 %
929002321901	DL252 G2 R Rd LED 1300 30K 18W 8" WV 1pk	0,05 %
929002322001	DL252 G2 R Rd LED 1300 40K 18W 8" WV 1pk	0,05 %
929002322101	DL252 G2 R Rd LED 1300 65K 18W 8" WV 1pk	0,05 %
929002322501	DL252 G2 R Rd LED 900 30K 12W 6" WV 1pk	0,05 %
929002322601	DL252 G2 R Rd LED 900 40K 12W 6" WV 1pk	0,05 %
929002322701	DL252 G2 R Rd LED 900 65K 12W 6" WV 1pk	0,05 %
929002346001	DL252 G2 R Rd LED 2000 30K 24W 11" WV	0,015 %
929002346101	DL252 G2 R Rd LED 2000 40K 24W 11" WV	0,015 %
929002346201	DL252 G2 R Rd LED 2000 65K 24W 11" WV	0,015 %
929002634901	DL252 G2 SF RD LED 900 30K 12W 6" WV	0,05 %
929002635001	DL252 G2 SF RD LED 900 40K 12W 6" WV	0,05 %
929002635101	DL252 G2 SF RD LED 900 65K 12W 6" WV	0,05 %
929002635501	DL252 G2 SF RD LED 1300 30K 18W 8" WV	0,05 %
929002635601	DL252 G2 SF RD LED 1300 40K 18W 8" WV	0,05 %
929002635701	DL252 G2 SF RD LED 1300 65K 18W 8" WV	0,05 %
929002322201	DL252 G2 R SQ LED 1300 30K 18W 8" WV 1pk	0,05 %
929002322301	DL252 G2 R SQ LED 1300 40K 18W 8" WV 1pk	0,05 %
929002322401	DL252 G2 R SQ LED 1300 65K 18W 8" WV 1pk	0,05 %
929002322801	DL252 G2 R SQ LED 900 30K 12W 6" WV 1pk	0,05 %
929002322901	DL252 G2 R SQ LED 900 40K 12W 6" WV 1pk	0,05 %
929002323001	DL252 G2 R SQ LED 900 65K 12W 6" WV 1pk	0,05 %
929002346301	DL252 G2 R SQ LED 2000 30K 24W 11" WV	0,015 %
929002346401	DL252 G2 R SQ LED 2000 40K 24W 11" WV	0,015 %
929002346501	DL252 G2 R SQ LED 2000 65K 24W 11" WV	0,015 %



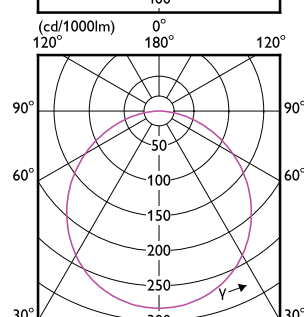
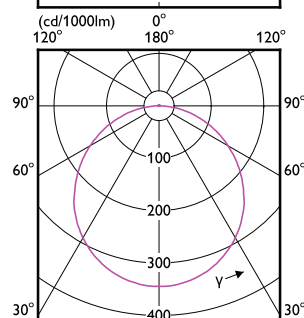
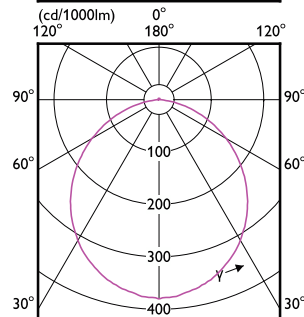
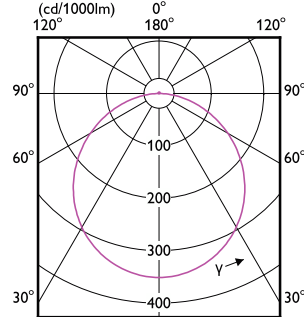
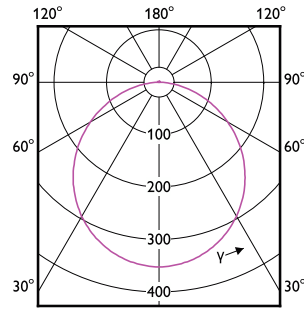
Luz empotrable externa fina DL252



Luz empotrable externa fina DL252

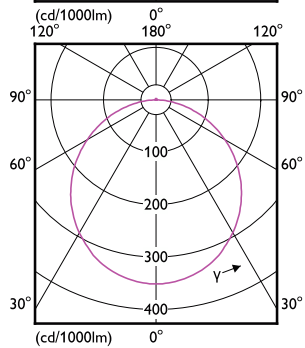
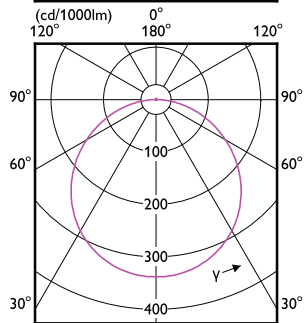
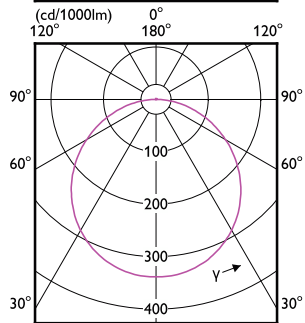
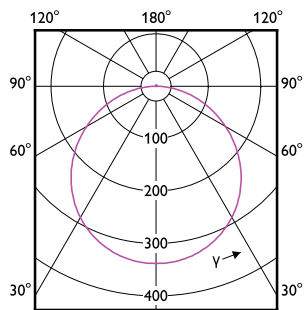
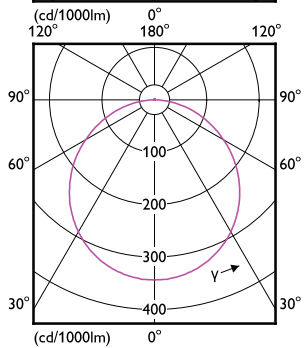
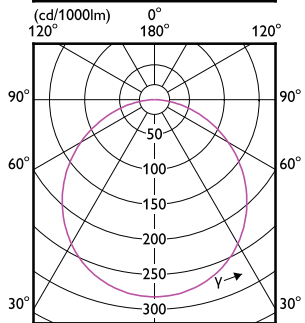
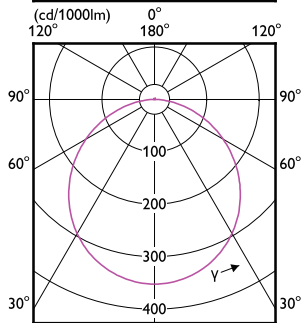
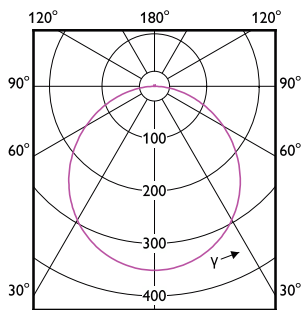


(cd/1000lm) 0°



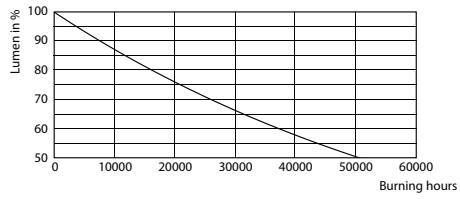
(cd/1000lm) 0°

Luz empotrable externa fina DL252



Luz empotrable externa fina DL252

Beam Diagrams



Beam diagram - DL252 G2 R Rd LED 1300 40K
18W 8" WV 1pk

