

# Superslim LED downlight offering superior light quality with extremely good uniformity

## External Slim Downlight DL252

A complete family delivering superior light with great uniformity and safety. Choose the best fit for every projects, from multiple lumen packs/wattages, and enjoy great reliable performance free of maintenance.

### Benefits

- Superior light quality: Bright and uniform light
- Wide range of products: Variety in lumen/wattage and CCT combinations to cater to different applications.
- Easy installation: Slim design ensures fit in tight spaces

### Features

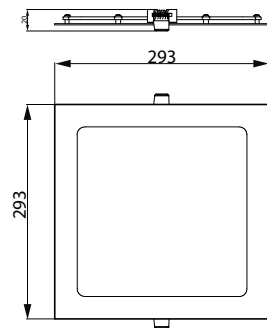
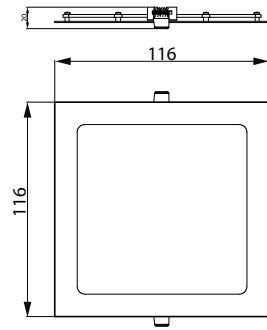
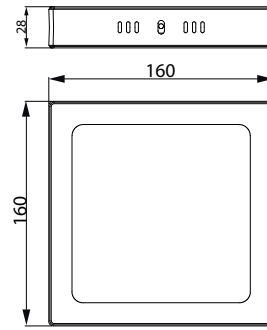
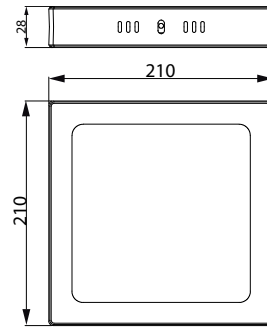
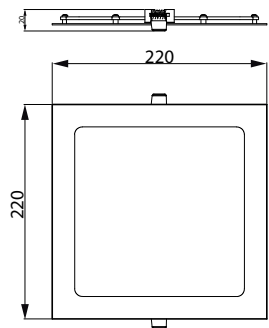
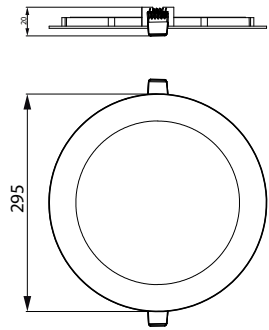
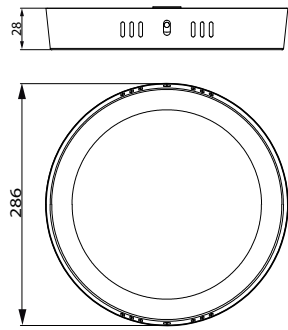
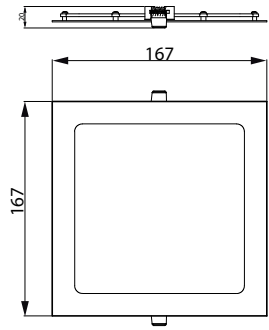
- Design robustness with metal housing
- High efficiency for energy saving: up to 83lm/W
- Long lifetime of 25,000 hours

### Application

- Retail
- Offices
- Hospitality

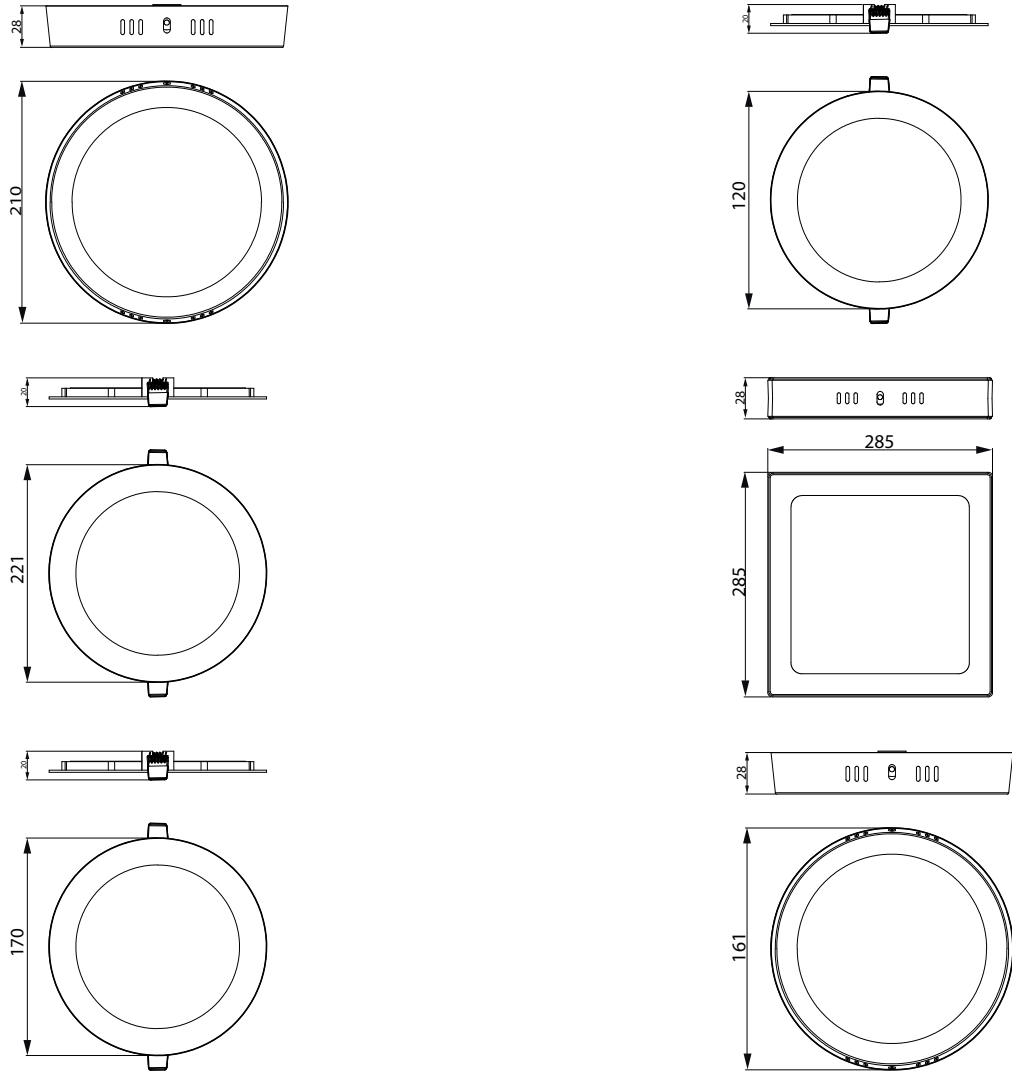
# External Slim Downlight DL252

## Dimensional drawing



# External Slim Downlight DL252

## Dimensional drawing



# External Slim Downlight DL252

## General Information

Driver included	Yes
Light source replaceable	No
Number of gear units	1 unit

## Light Technical

Color rendering index (CRI)	80
-----------------------------	----

## Operating and Electrical

Protection class IEC	Safety class II
Input Voltage	110 to 240 V
Line Frequency	50 or 60 Hz

## Controls and Dimming

Dimmable	No
----------	----

## Mechanical and Housing

Housing Color	White
Ingress protection code	IP20

## Approval and Application

Flammability mark	For mounting on normally flammable surfaces
Glow-wire test	Temperature 650 °C, duration 30 s

## Light Technical

Order Code	Full Product Name	Correlated Color	Luminous	Luminous Flux	Optic type
		Temperature (Nom)	Efficacy (rated) (Nom)		
74911800	DL252 G2 SF RD LED 2000 30K 24W 11" WV	3000 K	83.00 lm/W	2,000 lm	Wide beam
74913200	DL252 G2 SF RD LED 2000 40K 24W 11" WV	4000 K	83.00 lm/W	2,000 lm	Wide beam
74915600	DL252 G2 SF RD LED 2000 65K 24W 11" WV	6500 K	83.00 lm/W	2,000 lm	Wide beam
74893700	DL252 G2 SF SQ LED 900 30K 12W 6" WV	3000 K	75.00 lm/W	900 lm	Wide beam
74895100	DL252 G2 SF SQ LED 900 40K 12W 6" WV	4000 K	75.00 lm/W	900 lm	Wide beam
74897500	DL252 G2 SF SQ LED 900 65K 12W 6" WV	6500 K	75.00 lm/W	900 lm	Wide beam
74905700	DL252 G2 SF SQ LED 1300 30K 18W 8" WV	3000 K	72.00 lm/W	1,300 lm	Wide beam
74907100	DL252 G2 SF SQ LED 1300 40K 18W 8" WV	4000 K	72.00 lm/W	1,300 lm	Wide beam
74909500	DL252 G2 SF SQ LED 1300 65K 18W 8" WV	6500 K	72.00 lm/W	1,300 lm	Wide beam
74917000	DL252 G2 SF SQ LED 2000 30K 24W 11" WV	3000 K	83.00 lm/W	2,000 lm	Wide beam
74919400	DL252 G2 SF SQ LED 2000 40K 24W 11" WV	4000 K	83.00 lm/W	2,000 lm	Wide beam
74921700	DL252 G2 SF SQ LED 2000 65K 24W 11" WV	6500 K	83.00 lm/W	2,000 lm	Wide beam
73416900	DL252 G2 R Rd LED 1300 30K 18W 8" WV 1pk	3000 K	72.00 lm/W	1,300 lm	Wide beam
73418300	DL252 G2 R Rd LED 1300 40K 18W 8" WV 1pk	4000 K	72.00 lm/W	1,300 lm	Wide beam
73420600	DL252 G2 R Rd LED 1300 65K 18W 8" WV 1pk	6500 K	72.00 lm/W	1,300 lm	Wide beam
73428200	DL252 G2 R Rd LED 900 30K 12W 6" WV 1pk	3000 K	75.00 lm/W	900 lm	Wide beam
73430500	DL252 G2 R Rd LED 900 40K 12W 6" WV 1pk	4000 K	75.00 lm/W	900 lm	Wide beam
73432900	DL252 G2 R Rd LED 900 65K 12W 6" WV 1pk	6500 K	75.00 lm/W	900 lm	Wide beam
74863000	DL252 G2 R Rd LED 400 30K 6W 4" WV	3000 K	66.00 lm/W	400 lm	Beam angle 110°
74865400	DL252 G2 R Rd LED 400 40K 6W 4" WV	4000 K	66.00 lm/W	400 lm	Beam angle 110°
74867800	DL252 G2 R Rd LED 400 65K 6W 4" WV	6500 K	66.00 lm/W	400 lm	Beam angle 110°
74875300	DL252 G2 R Rd LED 2000 30K 24W 11" WV	3000 K	83.00 lm/W	2,000 lm	Beam angle 110°
74877700	DL252 G2 R Rd LED 2000 40K 24W 11" WV	4000 K	83.00 lm/W	2,000 lm	Beam angle 110°
74879100	DL252 G2 R Rd LED 2000 65K 24W 11" WV	6500 K	83.00 lm/W	2,000 lm	Beam angle 110°

## External Slim Downlight DL252

Order Code	Full Product Name	Correlated Color	Luminous	Luminous Flux	Optic type
		Temperature (Nom)	Efficacy (rated) (Nom)		
74887600	DL252 G2 SF RD LED 900 30K 12W 6" WV	3000 K	75.00 lm/W	900 lm	Wide beam
74889000	DL252 G2 SF RD LED 900 40K 12W 6" WV	4000 K	75.00 lm/W	900 lm	Wide beam
74891300	DL252 G2 SF RD LED 900 65K 12W 6" WV	6500 K	75.00 lm/W	900 lm	Wide beam
74899900	DL252 G2 SF RD LED 1300 30K 18W 8" WV	3000 K	72.00 lm/W	1,300 lm	Wide beam
74901900	DL252 G2 SF RD LED 1300 40K 18W 8" WV	4000 K	72.00 lm/W	1,300 lm	Wide beam
74903300	DL252 G2 SF RD LED 1300 65K 18W 8" WV	6500 K	72.00 lm/W	1,300 lm	Wide beam
73422000	DL252 G2 R SQ LED 1300 30K 18W 8" WV 1pk	3000 K	72.00 lm/W	1,300 lm	Wide beam
73424400	DL252 G2 R SQ LED 1300 40K 18W 8" WV 1pk	4000 K	72.00 lm/W	1,300 lm	Wide beam
73426800	DL252 G2 R SQ LED 1300 65K 18W 8" WV 1pk	6500 K	72.00 lm/W	1,300 lm	Wide beam
73434300	DL252 G2 R SQ LED 900 30K 12W 6" WV 1pk	3000 K	75.00 lm/W	900 lm	Wide beam
73436700	DL252 G2 R SQ LED 900 40K 12W 6" WV 1pk	4000 K	75.00 lm/W	900 lm	Wide beam
73438100	DL252 G2 R SQ LED 900 65K 12W 6" WV 1pk	6500 K	75.00 lm/W	900 lm	Wide beam
74869200	DL252 G2 R SQ LED 400 30K 6W 4" WV	3000 K	66.00 lm/W	400 lm	Beam angle 110°
74871500	DL252 G2 R SQ LED 400 40K 6W 4" WV	4000 K	66.00 lm/W	400 lm	Beam angle 110°
74873900	DL252 G2 R SQ LED 400 65K 6W 4" WV	6500 K	66.00 lm/W	400 lm	Beam angle 110°
74881400	DL252 G2 R SQ LED 2000 30K 24W 11" WV	3000 K	79.00 lm/W	2,000 lm	Beam angle 110°
74883800	DL252 G2 R SQ LED 2000 40K 24W 11" WV	4000 K	83.00 lm/W	2,000 lm	Beam angle 110°
74885200	DL252 G2 R SQ LED 2000 65K 24W 11" WV	6500 K	83.00 lm/W	2,000 lm	Beam angle 110°

### Operating and Electrical

Order Code	Full Product Name	Power Consumption	Suitable for random switching	Order Code	Full Product Name	Power Consumption	Suitable for random switching
74911800	DL252 G2 SF RD LED 2000 30K 24W 11" WV	24 W	No	74895100	DL252 G2 SF SQ LED 900 40K 12W 6" WV	12 W	No
74913200	DL252 G2 SF RD LED 2000 40K 24W 11" WV	24 W	No	74897500	DL252 G2 SF SQ LED 900 65K 12W 6" WV	12 W	No
74915600	DL252 G2 SF RD LED 2000 65K 24W 11" WV	24 W	No	74905700	DL252 G2 SF SQ LED 1300 30K 18W 8" WV	18 W	No
74893700	DL252 G2 SF SQ LED 900 30K 12W 6" WV	12 W	No	74907100	DL252 G2 SF SQ LED 1300 40K 18W 8" WV	18 W	No

## External Slim Downlight DL252

Order Code	Full Product Name	Power Consumption	Suitable for random switching
74909500	DL252 G2 SF SQ LED 1300 65K 18W 8" WV	18 W	No
74917000	DL252 G2 SF SQ LED 2000 30K 24W 11" WV	24 W	No
74919400	DL252 G2 SF SQ LED 2000 40K 24W 11" WV	24 W	No
74921700	DL252 G2 SF SQ LED 2000 65K 24W 11" WV	24 W	No
73416900	DL252 G2 R Rd LED 1300 30K 18W 8" WV 1pk	18 W	No
73418300	DL252 G2 R Rd LED 1300 40K 18W 8" WV 1pk	18 W	No
73420600	DL252 G2 R Rd LED 1300 65K 18W 8" WV 1pk	18 W	No
73428200	DL252 G2 R Rd LED 900 30K 12W 6" WV 1pk	12 W	No
73430500	DL252 G2 R Rd LED 900 40K 12W 6" WV 1pk	12 W	No
73432900	DL252 G2 R Rd LED 900 65K 12W 6" WV 1pk	12 W	No
74863000	DL252 G2 R Rd LED 400 30K 6W 4" WV	6 W	Not applicable
74865400	DL252 G2 R Rd LED 400 40K 6W 4" WV	6 W	Not applicable
74867800	DL252 G2 R Rd LED 400 65K 6W 4" WV	6 W	Not applicable
74875300	DL252 G2 R Rd LED 2000 30K 24W 11" WV	24 W	Not applicable
74877700	DL252 G2 R Rd LED 2000 40K 24W 11" WV	24 W	Not applicable
74879100	DL252 G2 R Rd LED 2000 65K 24W 11" WV	24 W	Not applicable
74887600	DL252 G2 SF RD LED 900 30K 12W 6" WV	12 W	No

Order Code	Full Product Name	Power Consumption	Suitable for random switching
74889000	DL252 G2 SF RD LED 900 40K 12W 6" WV	12 W	No
74891300	DL252 G2 SF RD LED 900 65K 12W 6" WV	12 W	No
74899900	DL252 G2 SF RD LED 1300 30K 18W 8" WV	18 W	No
74901900	DL252 G2 SF RD LED 1300 40K 18W 8" WV	18 W	No
74903300	DL252 G2 SF RD LED 1300 65K 18W 8" WV	18 W	No
73422000	DL252 G2 R SQ LED 1300 30K 18W 8" WV 1pk	18 W	No
73424400	DL252 G2 R SQ LED 1300 40K 18W 8" WV 1pk	18 W	No
73426800	DL252 G2 R SQ LED 1300 65K 18W 8" WV 1pk	18 W	No
73434300	DL252 G2 R SQ LED 900 30K 12W 6" WV 1pk	12 W	No
73436700	DL252 G2 R SQ LED 900 40K 12W 6" WV 1pk	12 W	No
73438100	DL252 G2 R SQ LED 900 65K 12W 6" WV 1pk	12 W	No
74869200	DL252 G2 R SQ LED 400 30K 6W 4" WV	6 W	Not applicable
74871500	DL252 G2 R SQ LED 400 40K 6W 4" WV	6 W	Not applicable
74873900	DL252 G2 R SQ LED 400 65K 6W 4" WV	6 W	Not applicable
74881400	DL252 G2 R SQ LED 2000 30K 24W 11" WV	24 W	Not applicable
74883800	DL252 G2 R SQ LED 2000 40K 24W 11" WV	24 W	Not applicable
74885200	DL252 G2 R SQ LED 2000 65K 24W 11" WV	24 W	Not applicable

### Mechanical and Housing

Order Code	Full Product Name	Mech. impact protection code
74911800	DL252 G2 SF RD LED 2000 30K 24W 11" WV	IK01
74913200	DL252 G2 SF RD LED 2000 40K 24W 11" WV	IK01
74915600	DL252 G2 SF RD LED 2000 65K 24W 11" WV	IK01
74893700	DL252 G2 SF SQ LED 900 30K 12W 6" WV	IK01
74895100	DL252 G2 SF SQ LED 900 40K 12W 6" WV	IK01
74897500	DL252 G2 SF SQ LED 900 65K 12W 6" WV	IK01
74905700	DL252 G2 SF SQ LED 1300 30K 18W 8" WV	IK01
74907100	DL252 G2 SF SQ LED 1300 40K 18W 8" WV	IK01
74909500	DL252 G2 SF SQ LED 1300 65K 18W 8" WV	IK01
74917000	DL252 G2 SF SQ LED 2000 30K 24W 11" WV	IK01
74919400	DL252 G2 SF SQ LED 2000 40K 24W 11" WV	IK01

Order Code	Full Product Name	Mech. impact protection code
74921700	DL252 G2 SF SQ LED 2000 65K 24W 11" WV	IK01
73416900	DL252 G2 R Rd LED 1300 30K 18W 8" WV 1pk	IK01
73418300	DL252 G2 R Rd LED 1300 40K 18W 8" WV 1pk	IK01
73420600	DL252 G2 R Rd LED 1300 65K 18W 8" WV 1pk	IK01
73428200	DL252 G2 R Rd LED 900 30K 12W 6" WV 1pk	IK01
73430500	DL252 G2 R Rd LED 900 40K 12W 6" WV 1pk	IK01
73432900	DL252 G2 R Rd LED 900 65K 12W 6" WV 1pk	IK01
74863000	DL252 G2 R Rd LED 400 30K 6W 4" WV	IK03
74865400	DL252 G2 R Rd LED 400 40K 6W 4" WV	IK03
74867800	DL252 G2 R Rd LED 400 65K 6W 4" WV	IK03
74875300	DL252 G2 R Rd LED 2000 30K 24W 11" WV	IK03

## External Slim Downlight DL252

Order Code	Full Product Name	Mech. impact protection code
74877700	DL252 G2 R Rd LED 2000 40K 24W 11" WV	IK03
74879100	DL252 G2 R Rd LED 2000 65K 24W 11" WV	IK03
74887600	DL252 G2 SF RD LED 900 30K 12W 6" WV	IK01
74889000	DL252 G2 SF RD LED 900 40K 12W 6" WV	IK01
74891300	DL252 G2 SF RD LED 900 65K 12W 6" WV	IK01
74899900	DL252 G2 SF RD LED 1300 30K 18W 8" WV	IK01
74901900	DL252 G2 SF RD LED 1300 40K 18W 8" WV	IK01
74903300	DL252 G2 SF RD LED 1300 65K 18W 8" WV	IK01
73422000	DL252 G2 R SQ LED 1300 30K 18W 8" WV 1pk	IK01
73424400	DL252 G2 R SQ LED 1300 40K 18W 8" WV 1pk	IK01

Order Code	Full Product Name	Mech. impact protection code
73426800	DL252 G2 R SQ LED 1300 65K 18W 8" WV 1pk	IK01
73434300	DL252 G2 R SQ LED 900 30K 12W 6" WV 1pk	IK01
73436700	DL252 G2 R SQ LED 900 40K 12W 6" WV 1pk	IK01
73438100	DL252 G2 R SQ LED 900 65K 12W 6" WV 1pk	IK01
74869200	DL252 G2 R SQ LED 400 30K 6W 4" WV	IK03
74871500	DL252 G2 R SQ LED 400 40K 6W 4" WV	IK03
74873900	DL252 G2 R SQ LED 400 65K 6W 4" WV	IK03
74881400	DL252 G2 R SQ LED 2000 30K 24W 11" WV	IK03
74883800	DL252 G2 R SQ LED 2000 40K 24W 11" WV	IK03
74885200	DL252 G2 R SQ LED 2000 65K 24W 11" WV	IK03

### Approval and Application

Order Code	Full Product Name	Ambient temperature range
74911800	DL252 G2 SF RD LED 2000 30K 24W 11" WV	-20 to +40 °C
74913200	DL252 G2 SF RD LED 2000 40K 24W 11" WV	-20 to +40 °C
74915600	DL252 G2 SF RD LED 2000 65K 24W 11" WV	-20 to +40 °C
74893700	DL252 G2 SF SQ LED 900 30K 12W 6" WV	-20 to +40 °C
74895100	DL252 G2 SF SQ LED 900 40K 12W 6" WV	-20 to +40 °C
74897500	DL252 G2 SF SQ LED 900 65K 12W 6" WV	-20 to +40 °C
74905700	DL252 G2 SF SQ LED 1300 30K 18W 8" WV	-20 to +40 °C
74907100	DL252 G2 SF SQ LED 1300 40K 18W 8" WV	-20 to +40 °C
74909500	DL252 G2 SF SQ LED 1300 65K 18W 8" WV	-20 to +40 °C
74917000	DL252 G2 SF SQ LED 2000 30K 24W 11" WV	-20 to +40 °C
74919400	DL252 G2 SF SQ LED 2000 40K 24W 11" WV	-20 to +40 °C
74921700	DL252 G2 SF SQ LED 2000 65K 24W 11" WV	-20 to +40 °C
73416900	DL252 G2 R Rd LED 1300 30K 18W 8" WV 1pk	-20 to +40 °C
73418300	DL252 G2 R Rd LED 1300 40K 18W 8" WV 1pk	-20 to +40 °C
73420600	DL252 G2 R Rd LED 1300 65K 18W 8" WV 1pk	-20 to +40 °C
73428200	DL252 G2 R Rd LED 900 30K 12W 6" WV 1pk	-20 to +40 °C
73430500	DL252 G2 R Rd LED 900 40K 12W 6" WV 1pk	-20 to +40 °C
73432900	DL252 G2 R Rd LED 900 65K 12W 6" WV 1pk	-20 to +40 °C
74863000	DL252 G2 R Rd LED 400 30K 6W 4" WV	-10 to +40 °C
74865400	DL252 G2 R Rd LED 400 40K 6W 4" WV	-10 to +40 °C
74867800	DL252 G2 R Rd LED 400 65K 6W 4" WV	-10 to +40 °C

Order Code	Full Product Name	Ambient temperature range
74875300	DL252 G2 R Rd LED 2000 30K 24W 11" WV	-10 to +40 °C
74877700	DL252 G2 R Rd LED 2000 40K 24W 11" WV	-10 to +40 °C
74879100	DL252 G2 R Rd LED 2000 65K 24W 11" WV	-10 to +40 °C
74887600	DL252 G2 SF RD LED 900 30K 12W 6" WV	-20 to +40 °C
74889000	DL252 G2 SF RD LED 900 40K 12W 6" WV	-20 to +40 °C
74891300	DL252 G2 SF RD LED 900 65K 12W 6" WV	-20 to +40 °C
74899900	DL252 G2 SF RD LED 1300 30K 18W 8" WV	-20 to +40 °C
74901900	DL252 G2 SF RD LED 1300 40K 18W 8" WV	-20 to +40 °C
74903300	DL252 G2 SF RD LED 1300 65K 18W 8" WV	-20 to +40 °C
73422000	DL252 G2 R SQ LED 1300 30K 18W 8" WV 1pk	-20 to +40 °C
73424400	DL252 G2 R SQ LED 1300 40K 18W 8" WV 1pk	-20 to +40 °C
73426800	DL252 G2 R SQ LED 1300 65K 18W 8" WV 1pk	-20 to +40 °C
73434300	DL252 G2 R SQ LED 900 30K 12W 6" WV 1pk	-20 to +40 °C
73436700	DL252 G2 R SQ LED 900 40K 12W 6" WV 1pk	-20 to +40 °C
73438100	DL252 G2 R SQ LED 900 65K 12W 6" WV 1pk	-20 to +40 °C
74869200	DL252 G2 R SQ LED 400 30K 6W 4" WV	-10 to +40 °C
74871500	DL252 G2 R SQ LED 400 40K 6W 4" WV	-10 to +40 °C
74873900	DL252 G2 R SQ LED 400 65K 6W 4" WV	-10 to +40 °C
74881400	DL252 G2 R SQ LED 2000 30K 24W 11" WV	-10 to +40 °C
74883800	DL252 G2 R SQ LED 2000 40K 24W 11" WV	-10 to +40 °C
74885200	DL252 G2 R SQ LED 2000 65K 24W 11" WV	-10 to +40 °C

### Initial Performance (IEC Compliant)

Order Code	Full Product Name	Initial chromaticity	Luminous flux tolerance
74911800	DL252 G2 SF RD LED 2000 30K 24W 11" WV	(0.440, 0.403) <6	+10%/-15%
74913200	DL252 G2 SF RD LED 2000 40K 24W 11" WV	(0.380, 0.380) <6	+10%/-15%
74915600	DL252 G2 SF RD LED 2000 65K 24W 11" WV	(0.313, 0.337) <6	+10%/-15%
74893700	DL252 G2 SF SQ LED 900 30K 12W 6" WV	(0.440, 0.403) <6	+10%/-15%

Order Code	Full Product Name	Initial chromaticity	Luminous flux tolerance
74895100	DL252 G2 SF SQ LED 900 40K 12W 6" WV	(0.380, 0.380) <6	+10%/-15%
74897500	DL252 G2 SF SQ LED 900 65K 12W 6" WV	(0.313, 0.337) <6	+10%/-15%
74905700	DL252 G2 SF SQ LED 1300 30K 18W 8" WV	(0.440, 0.403) <6	+10%/-15%
74907100	DL252 G2 SF SQ LED 1300 40K 18W 8" WV	(0.380, 0.380) <6	+10%/-15%

## External Slim Downlight DL252

Order Code	Full Product Name	Initial chromaticity	Luminous flux tolerance
74909500	DL252 G2 SF SQ LED 1300 65K 18W 8" WV	(0.313, 0.337) <6	+10%/-15%
74917000	DL252 G2 SF SQ LED 2000 30K 24W 11" WV	(0.440, 0.403) <6	+10%/-15%
74919400	DL252 G2 SF SQ LED 2000 40K 24W 11" WV	(0.380, 0.380) <6	+10%/-15%
74921700	DL252 G2 SF SQ LED 2000 65K 24W 11" WV	(0.313, 0.337) <6	+10%/-15%
73416900	DL252 G2 R Rd LED 1300 30K 18W 8" WV 1pk	(0.440, 0.403) <6	+10%/-15%
73418300	DL252 G2 R Rd LED 1300 40K 18W 8" WV 1pk	(0.380, 0.380) <6	+10%/-15%
73420600	DL252 G2 R Rd LED 1300 65K 18W 8" WV 1pk	(0.313, 0.337) <6	+10%/-15%
73428200	DL252 G2 R Rd LED 900 30K 12W 6" WV 1pk	(0.440, 0.403) <6	+10%/-15%
73430500	DL252 G2 R Rd LED 900 40K 12W 6" WV 1pk	(0.380, 0.380) <6	+10%/-15%
73432900	DL252 G2 R Rd LED 900 65K 12W 6" WV 1pk	(0.313, 0.337) <6	+10%/-15%
74863000	DL252 G2 R Rd LED 400 30K 6W 4" WV	(0.4400 , , 0.4030) 6 SDCM	-
74865400	DL252 G2 R Rd LED 400 40K 6W 4" WV	(0.3800 , , 0.3800) 6 SDCM	-
74867800	DL252 G2 R Rd LED 400 65K 6W 4" WV	(0.3130 , , 0.3370) 6 SDCM	-
74875300	DL252 G2 R Rd LED 2000 30K 24W 11" WV	(0.4400 , , 0.4030) 6 SDCM	-
74877700	DL252 G2 R Rd LED 2000 40K 24W 11" WV	(0.3800 , , 0.3800) 6 SDCM	-
74879100	DL252 G2 R Rd LED 2000 65K 24W 11" WV	(0.3130 , , 0.3370) 6 SDCM	-
74887600	DL252 G2 SF RD LED 900 30K 12W 6" WV	(0.440, 0.403) <6	+10%/-15%

Order Code	Full Product Name	Initial chromaticity	Luminous flux tolerance
74889000	DL252 G2 SF RD LED 900 40K 12W 6" WV	(0.380, 0.380) <6	+10%/-15%
74891300	DL252 G2 SF RD LED 900 65K 12W 6" WV	(0.313, 0.337) <6	+10%/-15%
74899900	DL252 G2 SF RD LED 1300 30K 18W 8" WV	(0.440, 0.403) <6	+10%/-15%
74901900	DL252 G2 SF RD LED 1300 40K 18W 8" WV	(0.380, 0.380) <6	+10%/-15%
74903300	DL252 G2 SF RD LED 1300 65K 18W 8" WV	(0.313, 0.337) <6	+10%/-15%
73422000	DL252 G2 R SQ LED 1300 30K 18W 8" WV 1pk	(0.440, 0.403) <6	+10%/-15%
73424400	DL252 G2 R SQ LED 1300 40K 18W 8" WV 1pk	(0.380, 0.380) <6	+10%/-15%
73426800	DL252 G2 R SQ LED 1300 65K 18W 8" WV 1pk	(0.313, 0.337) <6	+10%/-15%
73434300	DL252 G2 R SQ LED 900 30K 12W 6" WV 1pk	(0.440, 0.403) <6	+10%/-15%
73436700	DL252 G2 R SQ LED 900 40K 12W 6" WV 1pk	(0.380, 0.380) <6	+10%/-15%
73438100	DL252 G2 R SQ LED 900 65K 12W 6" WV 1pk	(0.313, 0.337) <6	+10%/-15%
74869200	DL252 G2 R SQ LED 400 30K 6W 4" WV	(0.4400 , , 0.4030) 6 SDCM	-
74871500	DL252 G2 R SQ LED 400 40K 6W 4" WV	(0.3800 , , 0.3800) 6 SDCM	-
74873900	DL252 G2 R SQ LED 400 65K 6W 4" WV	(0.3130 , , 0.3370) 6 SDCM	-
74881400	DL252 G2 R SQ LED 2000 30K 24W 11" WV	(0.4400 , , 0.4030) 6 SDCM	-
74883800	DL252 G2 R SQ LED 2000 40K 24W 11" WV	(0.3800 , , 0.3800) 6 SDCM	-
74885200	DL252 G2 R SQ LED 2000 65K 24W 11" WV	(0.3130 , , 0.3370) 6 SDCM	-

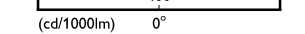
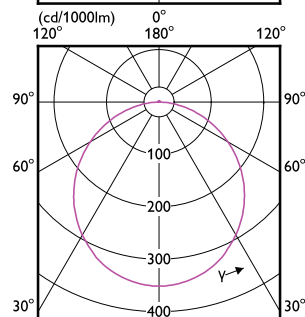
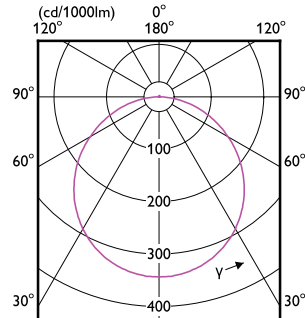
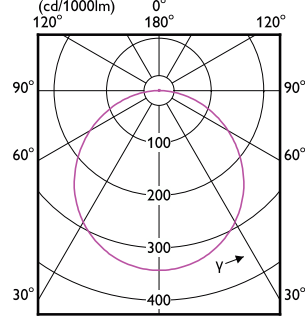
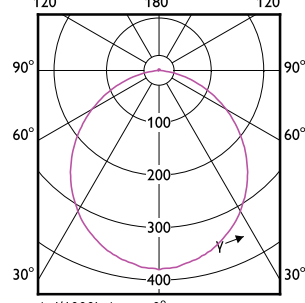
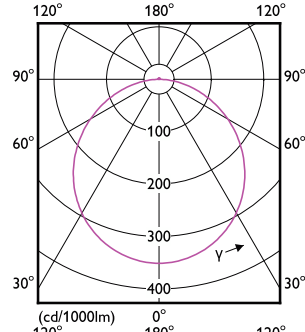
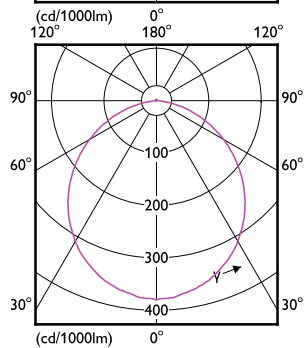
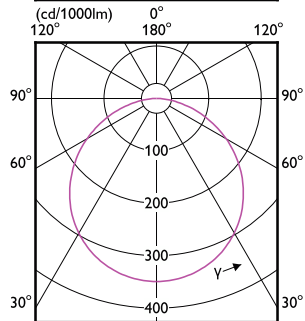
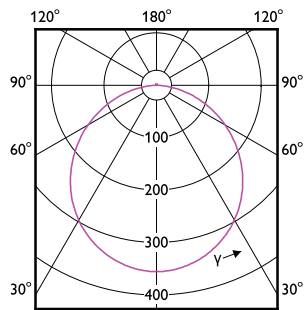
### Over Time Performance (IEC Compliant)

Order Code	Full Product Name	Driver failure rate at 5000 h
74911800	DL252 G2 SF RD LED 2000 30K 24W 11" WV	0.05 %
74913200	DL252 G2 SF RD LED 2000 40K 24W 11" WV	0.05 %
74915600	DL252 G2 SF RD LED 2000 65K 24W 11" WV	0.05 %
74893700	DL252 G2 SF SQ LED 900 30K 12W 6" WV	0.05 %
74895100	DL252 G2 SF SQ LED 900 40K 12W 6" WV	0.05 %
74897500	DL252 G2 SF SQ LED 900 65K 12W 6" WV	0.05 %
74905700	DL252 G2 SF SQ LED 1300 30K 18W 8" WV	0.05 %
74907100	DL252 G2 SF SQ LED 1300 40K 18W 8" WV	0.05 %
74909500	DL252 G2 SF SQ LED 1300 65K 18W 8" WV	0.05 %
74917000	DL252 G2 SF SQ LED 2000 30K 24W 11" WV	0.05 %
74919400	DL252 G2 SF SQ LED 2000 40K 24W 11" WV	0.05 %
74921700	DL252 G2 SF SQ LED 2000 65K 24W 11" WV	0.05 %

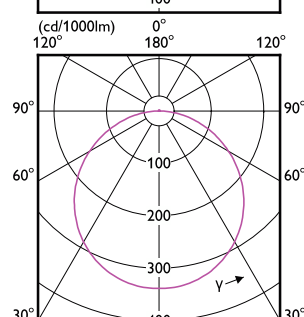
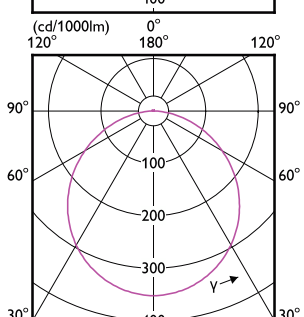
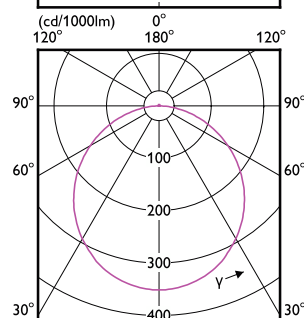
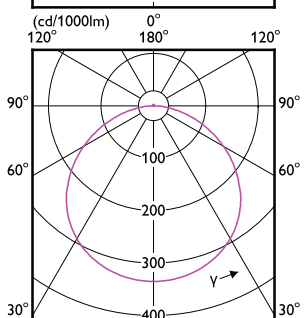
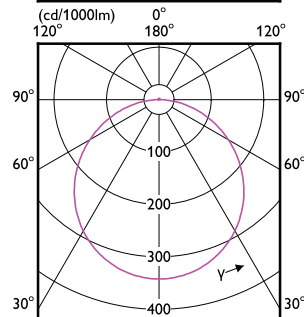
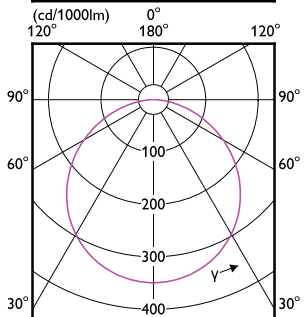
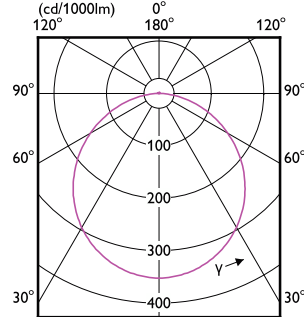
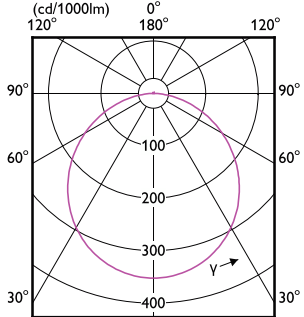
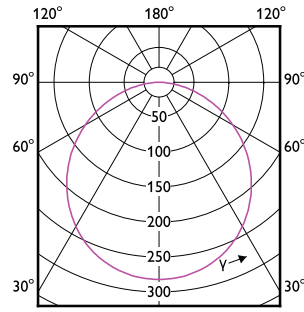
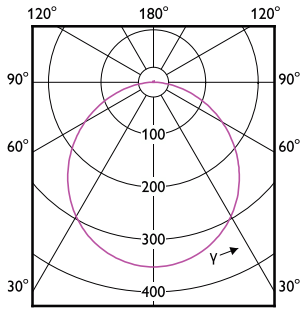
Order Code	Full Product Name	Driver failure rate at 5000 h
73416900	DL252 G2 R Rd LED 1300 30K 18W 8" WV 1pk	0.05 %
73418300	DL252 G2 R Rd LED 1300 40K 18W 8" WV 1pk	0.05 %
73420600	DL252 G2 R Rd LED 1300 65K 18W 8" WV 1pk	0.05 %
73428200	DL252 G2 R Rd LED 900 30K 12W 6" WV 1pk	0.05 %
73430500	DL252 G2 R Rd LED 900 40K 12W 6" WV 1pk	0.05 %
73432900	DL252 G2 R Rd LED 900 65K 12W 6" WV 1pk	0.05 %
74863000	DL252 G2 R Rd LED 400 30K 6W 4" WV	0.015 %
74865400	DL252 G2 R Rd LED 400 40K 6W 4" WV	0.015 %
74867800	DL252 G2 R Rd LED 400 65K 6W 4" WV	0.015 %
74875300	DL252 G2 R Rd LED 2000 30K 24W 11" WV	0.015 %
74877700	DL252 G2 R Rd LED 2000 40K 24W 11" WV	0.015 %
74879100	DL252 G2 R Rd LED 2000 65K 24W 11" WV	0.015 %

# External Slim Downlight DL252

Order Code	Full Product Name	Driver failure rate at 5000 h
74887600	DL252 G2 SF RD LED 900 30K 12W 6" WV	0.05 %
74889000	DL252 G2 SF RD LED 900 40K 12W 6" WV	0.05 %
74891300	DL252 G2 SF RD LED 900 65K 12W 6" WV	0.05 %
74899900	DL252 G2 SF RD LED 1300 30K 18W 8" WV	0.05 %
74901900	DL252 G2 SF RD LED 1300 40K 18W 8" WV	0.05 %
74903300	DL252 G2 SF RD LED 1300 65K 18W 8" WV	0.05 %
73422000	DL252 G2 R SQ LED 1300 30K 18W 8" WV 1pk	0.05 %
73424400	DL252 G2 R SQ LED 1300 40K 18W 8" WV 1pk	0.05 %
73426800	DL252 G2 R SQ LED 1300 65K 18W 8" WV 1pk	0.05 %
73434300	DL252 G2 R SQ LED 900 30K 12W 6" WV 1pk	0.05 %
73436700	DL252 G2 R SQ LED 900 40K 12W 6" WV 1pk	0.05 %
73438100	DL252 G2 R SQ LED 900 65K 12W 6" WV 1pk	0.05 %
74869200	DL252 G2 R SQ LED 400 30K 6W 4" WV	0.015 %
74871500	DL252 G2 R SQ LED 400 40K 6W 4" WV	0.015 %
74873900	DL252 G2 R SQ LED 400 65K 6W 4" WV	0.015 %
74881400	DL252 G2 R SQ LED 2000 30K 24W 11" WV	0.015 %
74883800	DL252 G2 R SQ LED 2000 40K 24W 11" WV	0.015 %
74885200	DL252 G2 R SQ LED 2000 65K 24W 11" WV	0.015 %



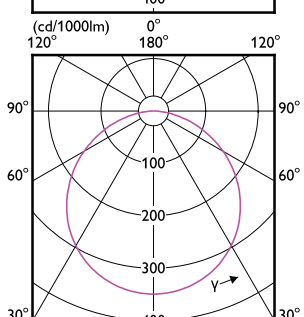
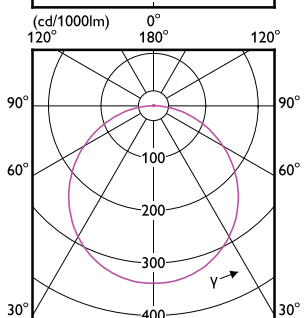
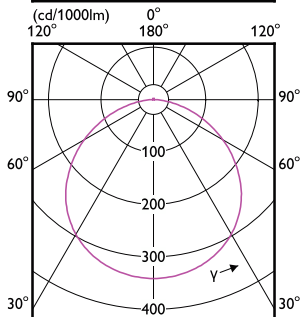
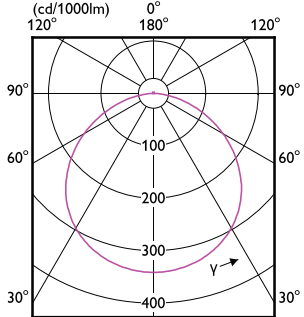
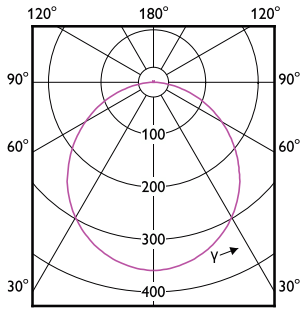
# External Slim Downlight DL252



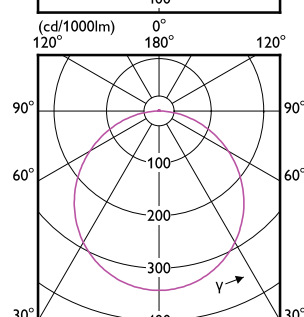
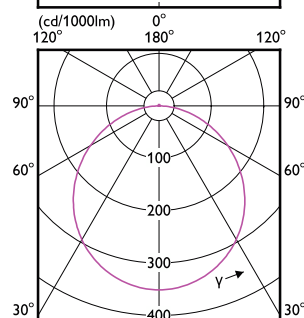
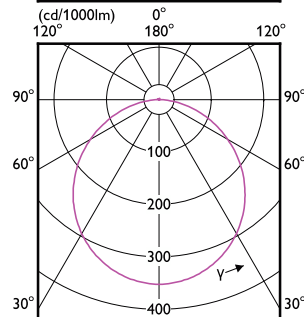
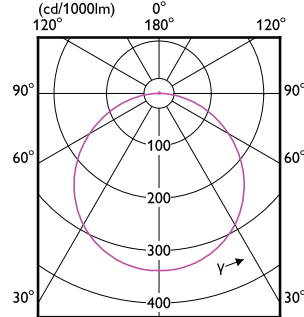
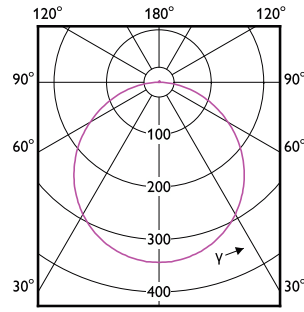
(cd/1000lm) 0°

(cd/1000lm) 0°

# External Slim Downlight DL252

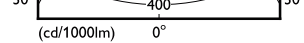
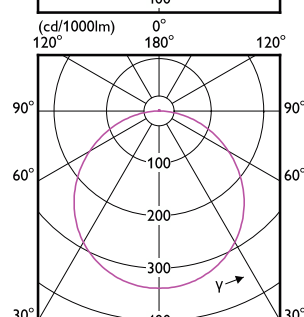
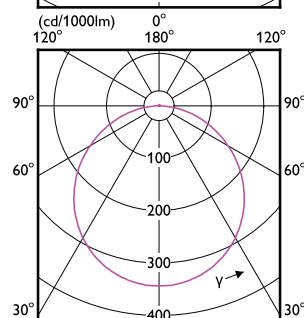
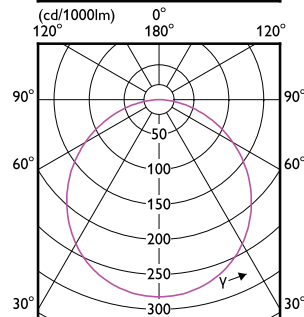
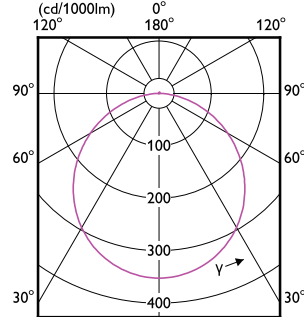
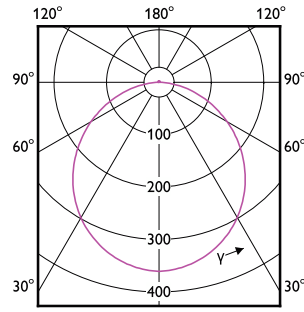
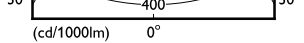
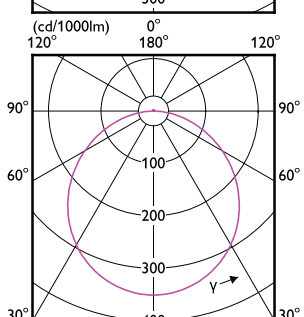
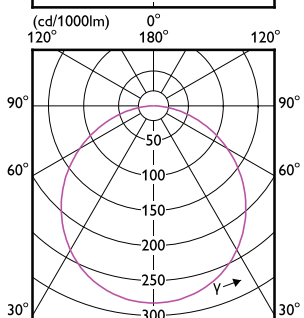
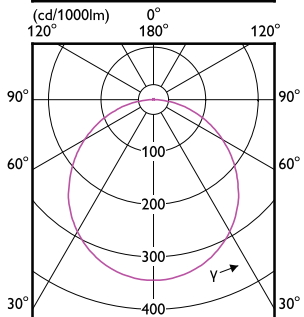
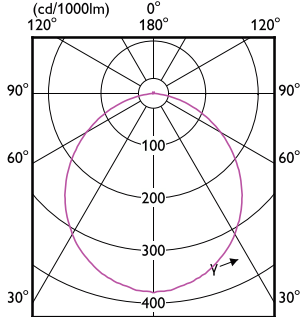
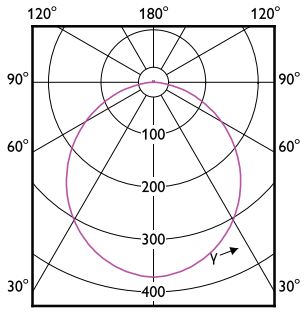


(cd/1000lm) 0°

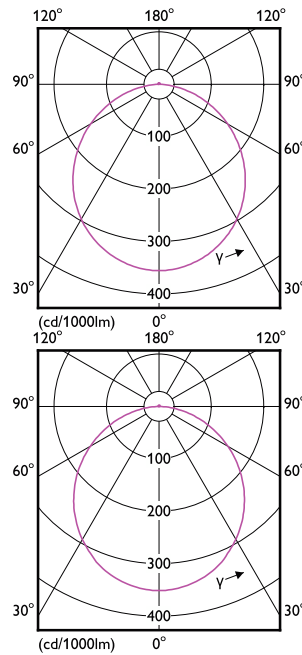
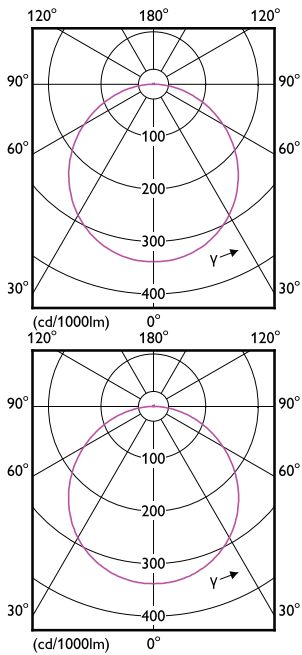


(cd/1000lm) 0°

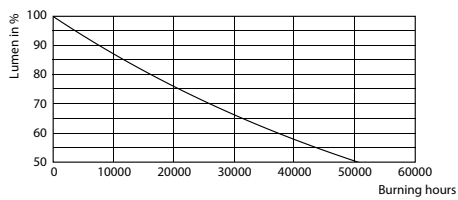
# External Slim Downlight DL252



# External Slim Downlight DL252



## Beam Diagrams



Beam diagram - DL252 G2 R SQ LED 2000 65K  
24W 11" WV

