



Outdoor Solar LED Wall light

Essential SmartBright Solar Wall Light

Outdoor solar wall light with inbuilt lithium ferro phosphate battery, solar panel, inbuilt motion sensor, switch to change modes and LED lights integrated in ABS plastic housing.

Benefits

- DIY easy installation
- No wiring required
- Suitable for outdoor installation.
- PIR motion sensor to optimize battery and light requirements.
- Easily configurable as per consumer need.

Features

- All in one construction, the device can be installed on a wall screw.
- Completely powered by solar energy.
- IP54 rated ABS plastic housing.
- PIR motion sensor to detect motion and optimize battery life.
- Toggle switch on front to cycle through multiple operational modes.
- LiFePO4 battery included inside the luminaire.

Application

- Garden
- Walkways
- Parking areas
- Architectural Lighting
- Landscape

Warnings and Safety

- This product includes rechargeable batteries which must be adequately charged under sunlight before use.

Essential SmartBright Solar Wall Light

Versions

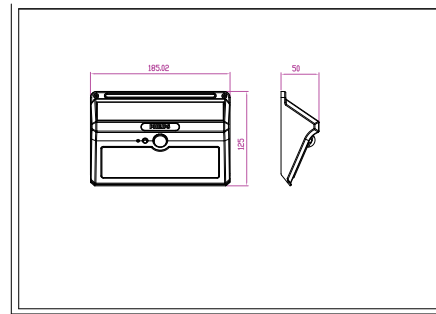
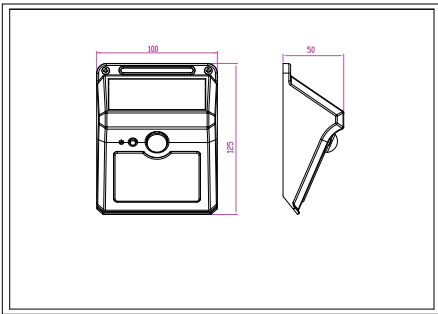


Essential SmartBright Solar Wall
Light



Essential SmartBright Solar Wall
Light

Dimensional drawing



Essential SmartBright Solar Wall Light

Light Technical

Correlated Color Temperature (Nom)	6500 K
Color rendering index (CRI)	>70

Operating and Electrical

Battery charging & discharging cycles	500
Battery type	Lithiumion - NMC
Battery voltage	3.7 V
Charge controller type	PWM
Grid connection type	Off grid
Panel voltage	5.5 V

Controls and Dimming

Dimmable	Yes
Configurability	Not configurable
Solar dimming profile	As per mode switch

Mechanical and Housing

Battery location	Inbuilt
Housing Color	Gray
Ingress protection code	IP54
Overall length	125 mm
Overall width	50 mm

Approval and Application

Ambient temperature range	0 °C to 45 °C
---------------------------	---------------

Application Conditions

Ambient temperature range for charging	0 °C to 45 °C
Ambient temperature range for discharging (when light is on)	0 °C to 45 °C

Operating and Electrical

Order Code	Full Product Name	Battery ampere hour	Charge controller wattage	Panel peak wattage	Panel type
911401877202	BWS010 LED05/765 G2	1.2 Ah	0.5 W	0.5 W	Poly crystalline
911401877302	BWS010 LED1/765 G2	1.2 Ah	0.75 W	0.75 W	Poly crystalline
911401877402	BWS010 LED3/765 G2	1 Ah	2 W	1.3 W	Mono crystalline

Mechanical and Housing

Order Code	Full Product Name	Overall height
911401877202	BWS010 LED05/765 G2	105 mm
911401877302	BWS010 LED1/765 G2	185 mm

Order Code	Full Product Name	Overall height
911401877402	BWS010 LED3/765 G2	185 mm

