



Ledinaire Clear Accent: reliable and superior lighting performance with precise design, suitable for diverse applications.

Ledinaire Clear Accent

A complete family of LED recessed spots that deliver superior lighting performance. Choose the best fit for every project from fixed/adjustable head with various color temperatures or All-in versions with 3 CCTs combined in one product. Enjoy great reliable performance free of maintenance.

Benefits

- IC Compliant: can be covered by insulation material.
- Easy installation: Through wiring (loop in/loop out) via connection box is optionally available.
- Long useful lifetime up to 35,000 hours.

Ledinaire Clear Accent

Features

- 3 variants available: fixed recessed RS060, adjustable recessed RS061 and adjustable recessed RS071B (All-in).
- Full product range with RS060B/RS061B: 6W, 500lm, 2700K/3000K/4000K options, available in white color.
- 3 CCT in one product with RS071B: 6W, 550lm, 2700K-3000K-4000K selectable, white and black color options.
- Extra color options available with trim accessories for RS071B: Gold and Silver.
- 36 deg beam angle for RS060B/RS061B, 40 deg & 60 deg beam angle options for RS071B for different application needs.

Application

- Retail
- Offices
- Hospitality

Versions



RS071B 5S 60D PSR PI6 IP65 BK



RS071B 5S BK

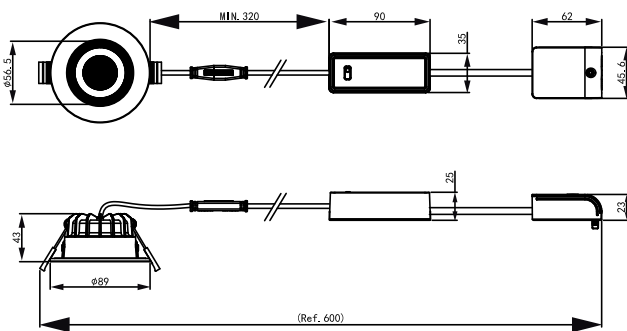


RS071B 5S WH



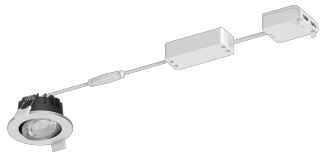
RS071B 5S 60D PSR PI6 IP65 WH

Dimensional drawing



Ledinaire Clear Accent

Product details



RS071B White



RS071B Black

Ledinaire Clear Accent

General Information

Driver included	Yes
Light source replaceable	No
Number of gear units	1 unit

Light Technical

All-in Type	All-in, Multi Color Temperature
Correlated Color Temperature (Nom)	2700 K
Color rendering index (CRI)	80
Luminous Efficacy (rated) (Nom)	91 lm/W
Luminous Flux	550 lm

Operating and Electrical

Protection class IEC	Safety class II
Input Voltage	220 to 240 V
Line Frequency	50 or 60 Hz
Power Consumption	6 W
Suitable for random switching	No

Controls and Dimming

Dimmable	Yes
----------	-----

Mechanical and Housing

Mech. impact protection code	IK03
Ingress protection code	IP20/65

Approval and Application

Ambient temperature range	-20 to +40 °C
CE mark	Yes
Flammability mark	For mounting on normally flammable surfaces
Glow-wire test	Temperature 650 °C, duration 30 s
Flickering value (PstLM) - Flickering value as per EN 61000-3-3	0.1
Stroboscopic effect visibility measure (SVM)	0.4

Initial Performance (IEC Compliant)

Initial chromaticity	(IEC3000K, 0.44, 0.403) 5SDCM
Luminous flux tolerance	-0%,+20%

Over Time Performance (IEC Compliant)

Driver failure rate at 5000 h	1.2 %
-------------------------------	-------

Light Technical

Order Code	Full Product Name	Optic type
20888900	RS071B 5S/827_30_40 60D PSR PI6 IP65 BK	Beam angle 60°
20884100	RS071B 5S/827_30_40 40D PSR PI6 IP65 BK	Beam angle 40°
20882700	RS071B 5S/827_30_40 40D PSR PI6 IP65 WH	Beam angle 40°
20886500	RS071B 5S/827_30_40 60D PSR PI6 IP65 WH	Beam angle 60°

Mechanical and Housing

Order Code	Full Product Name	Housing Color	Order Code	Full Product Name	Housing Color
20888900	RS071B 5S/827_30_40 60D PSR PI6 IP65 BK	Black	20884100	RS071B 5S/827_30_40 40D PSR PI6 IP65 BK	Black

Ledinaire Clear Accent

Order Code	Full Product Name	Housing Color
20882700	RS071B 5S/827_30_40 40D PSR P16 IP65 WH	White
20886500	RS071B 5S/827_30_40 60D PSR P16 IP65 WH	White

