



The affordable LEDspot solution

CorePro LED spot AR111

CorePro LEDspot AR111 are a perfect fit for spot lighting and deliver warm halogen-like light. They are compatible with most existing fixtures with a G53 base and are designed as a retrofit replacement for halogen spots. CorePro LEDspot AR111 deliver significant energy savings and minimise maintenance cost.

Benefits

- Warm white light
- Up to 80% energy saving compared with halogen lamps
- Lower maintenance costs

Features

- Easy retrofit
- Lifetime of 15,000 hours
- UV- and IR-free light
- Free of mercury and hazardous materials – RoHS Compliant

Application

- Hotels, restaurants, bars, cafés, museums, shops
- Lobbies, corridors, stairwells, washrooms, reception areas, exhibitions, display cabinets

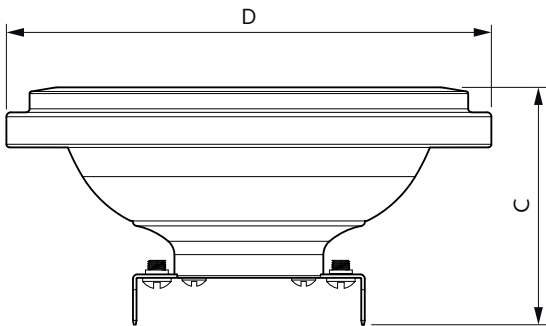
CorePro LED spot AR111

Versions

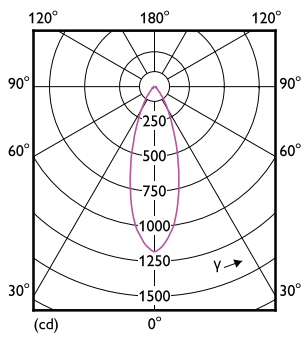


LEDspots Corepro AR111 G53

Dimensional drawing

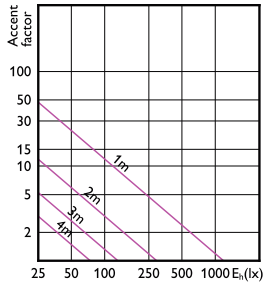


Product	D	C
CorePro LEDspot 7-50W 830 AR111 40D	110.7 mm	55 mm



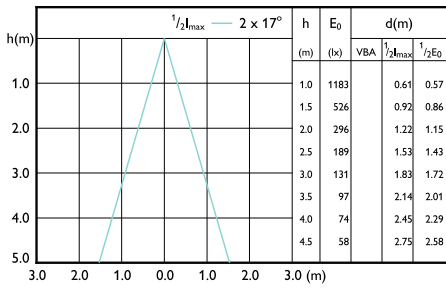
CorePro LED spot AR111

Accent Diagrams



Accent Diagram - CorePro LEDspot 7-50W 830 AR111 40D

Beam Diagrams



Beam diagram - CorePro LEDspot 7-50W 830 AR111 40D

