



# The affordable LEDspot solution

## CorePro LED spot AR111

CorePro LEDspot AR111 are a perfect fit for spot lighting and deliver warm halogen-like light. They are compatible with most existing fixtures with a G53 base and are designed as a retrofit replacement for halogen spots. CorePro LEDspot AR111 deliver significant energy savings and minimize maintenance cost.

### Benefits

- Warm white light
- Up to 80% energy saving compared with halogen lamps
- Lower maintenance costs

### Features

- Easy retrofit
- Lifetime of 15,000 hours
- UV- and IR-free light
- Free of mercury and hazardous materials – RoHS Compliant

### Application

- Hotels, restaurants, bars, cafés, museums, shops
- Lobbies, corridors, stairwells, washrooms, reception areas , exhibitions, display cabinets

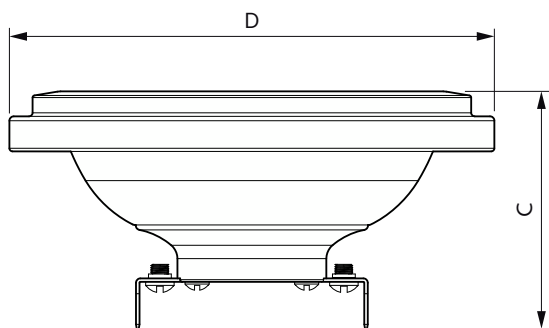
# CorePro LED spot AR111

## Versions

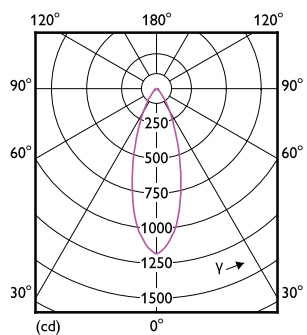


LEDspots Corepro AR111 G53

## Dimensional drawing

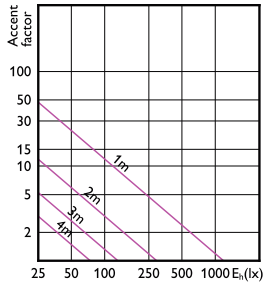


Product	D	C
CorePro LEDspot 7-50W 830 AR111 40D	110.7 mm	55 mm



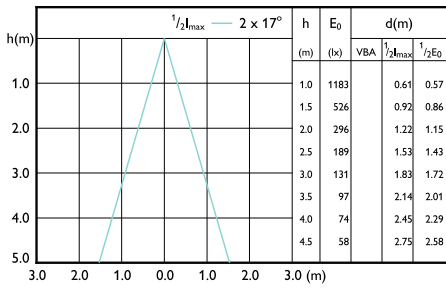
# CorePro LED spot AR111

## Accent Diagrams



Accent Diagram - CorePro LEDspot 7-50W 830 AR111 40D

## Beam Diagrams



Beam diagram - CorePro LEDspot 7-50W 830 AR111 40D

