



# Skap en varm og innbydende atmosfære med overleggen lyskvalitet

## MASTER LED-spot ExpertColor AR111

MASTER LEDspot LV ExpertColor skaper en varm og behagelig atmosfære for hoteller og arrangementslokaler, boliger og restauranter. Det skaper en slik atmosfære med overleggen belysning som har et tilpasset spekter, høy CRI og funksjoner for dyp dimming. Resultatet? En vakker belysningsopplevelse. I tillegg passer det innovative, minimalistiske linsedesignet med nesten alle typer interiør med sitt rene og ryddige utseende. Videre kan du dra nytte av hele ExpertColor-familien, som også inkluderer LEDspot MV- og LEDspot Par-lyskilder.

### Fordeler

- Skap en varm og behagelig atmosfære
- Problemfri ettermonteringsløsning for høyere energieffektivitet og mer bærekraftighet
- Interiør, møbler og tekstiler ser flotte ut

### Funksjoner

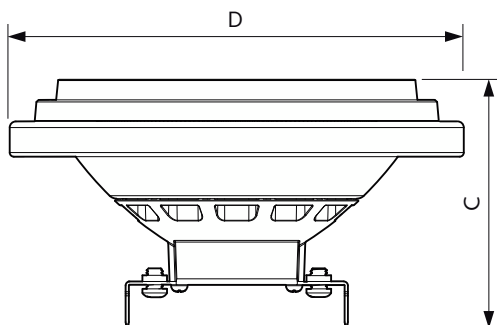
- Det tilpassede fargespekteret gjengir de samme fargene som halogen
- Minimalistisk design med vakker V-form i linsen
- Førsteklasses fargegjengivelse CRI97, R9<gt;/>85
- Dyp og jevn dimming og kompatibilitet med mange transformatorer
- Kan ettermonteres med G53-armaturer

# MASTER LED-spot ExpertColor AR111

## Søknad

- Hotell- og restaurantbransjen: hotellrom, korridorer, lobby, resepsjon, restauranter, barer, kafeer
- Hjem: stue, soverom, gang
- Butikk: utstillinger, utstillingsmontre, butikker, prøverom

## Målskisse



Product	D	C
MAS ExpertColor 10.8-50W 927 AR111 24D	111 mm	61 mm
MAS ExpertColor 10.8-50W 927 AR111 40D	111 mm	61 mm
MAS ExpertColor 10.8-50W 927 AR111 9D	111 mm	61 mm
MAS ExpertColor 10.8-50W 930 AR111 24D	111 mm	61 mm
MAS ExpertColor 10.8-50W 930 AR111 40D	111 mm	61 mm
MAS ExpertColor 10.8-50W 930 AR111 9D	111 mm	61 mm
MAS ExpertColor 14.8-75W 927 AR111 24D	111 mm	61 mm
MAS ExpertColor 14.8-75W 927 AR111 45D	111 mm	61 mm
MAS ExpertColor 14.8-75W 930 AR111 24D	111 mm	61 mm
MAS ExpertColor 14.8-75W 930 AR111 45D	111 mm	61 mm
MAS ExpertColor 14.8-75W 940 AR111 24D	111 mm	61 mm
MAS ExpertColor 14.8-75W 940 AR111 45D	111 mm	61 mm
MAS LEDExpertColor 20-100W 927 AR111 24D	111 mm	62 mm
MAS LEDExpertColor 20-100W 927 AR111 45D	111 mm	62 mm
MAS LEDExpertColor 20-100W 930 AR111 24D	111 mm	62 mm
MAS LEDExpertColor 20-100W 930 AR111 45D	111 mm	62 mm
MAS LEDExpertColor 20-100W 940 AR111 24D	111 mm	62 mm
MAS LEDExpertColor 20-100W 940 AR111 45D	111 mm	62 mm

# MASTER LED-spot ExpertColor AR111

## Generell informasjon

Sokkelbase	G53
Brytersyklus	50 000
Nominell levetid	40 000 time(r)

## Teknisk belysning

Fargegjengivelsesindeks (CRI)	95
Nominell vedlikeholdsfaktor for lyskildelumen ved utgangen av nominell levetid (nom.)	70 %

## Drift og elektronikk

Inngangsfrekvens	50 til 60 Hz
Line Frequency	50 to 60 Hz
Starttid (nom.)	0,5 s

## Kontroller og dimming

Kan dimmes	Kun med bestemte dimmere
------------	--------------------------

## Mekanikk og innfatning

Lyspæreoverflate	Matt
Lyspæreform	AR111

## Teknisk belysning (1/2)

Order Code	Full Product Name	Spredningsvinkel (nom.)	Korrelert		
			fargetemperatur (nom.)	Fargekode	Lysytelse
929003042602	MAS ExpertColor 14.8-75W 927 AR111 24D	24 grad(er)	2700 K	927	875 lm
929003042702	MAS ExpertColor 14.8-75W 927 AR111 45D	45 grad(er)	2700 K	927	875 lm
929003042802	MAS ExpertColor 14.8-75W 930 AR111 24D	24 grad(er)	3000 K	930	875 lm
929003042902	MAS ExpertColor 14.8-75W 930 AR111 45D	45 grad(er)	3000 K	930	875 lm
929003043002	MAS ExpertColor 14.8-75W 940 AR111 24D	24 grad(er)	4000 K	940	950 lm
929003043102	MAS ExpertColor 14.8-75W 940 AR111 45D	45 grad(er)	4000 K	940	950 lm
929003043302	MAS ExpertColor 10.8-50W 927 AR111 24D	24 grad(er)	2700 K	927	600 lm
929003043402	MAS ExpertColor 10.8-50W 927 AR111 40D	40 grad(er)	2700 K	927	600 lm
929003043602	MAS ExpertColor 10.8-50W 930 AR111 24D	24 grad(er)	3000 K	930	620 lm
929003043702	MAS ExpertColor 10.8-50W 930 AR111 40D	40 grad(er)	3000 K	930	620 lm
929003478602	MAS LEDEExpertColor 20-100W 927 AR111 24D	24 grad(er)	2700 K	927	1 270 lm
929003478702	MAS LEDEExpertColor 20-100W 930 AR111 24D	24 grad(er)	3000 K	930	1 270 lm
929003478802	MAS LEDEExpertColor 20-100W 940 AR111 24D	24 grad(er)	4000 K	940	1 270 lm
929003478902	MAS LEDEExpertColor 20-100W 927 AR111 45D	45 grad(er)	2700 K	927	1 270 lm
929003479002	MAS LEDEExpertColor 20-100W 930 AR111 45D	45 grad(er)	3000 K	930	1 270 lm
929003479102	MAS LEDEExpertColor 20-100W 940 AR111 45D	45 grad(er)	4000 K	940	1 270 lm
929003043202	MAS ExpertColor 10.8-50W 927 AR111 9D	9 grad(er)	2700 K	927	600 lm
929003043502	MAS ExpertColor 10.8-50W 930 AR111 9D	9 grad(er)	3000 K	930	620 lm

## Teknisk belysning (2/2)

Order Code	Full Product Name	Lysintensitet (nom.)	Order Code	Full Product Name	Lysintensitet (nom.)
929003042602	MAS ExpertColor 14.8-75W 927 AR111 24D	3 000 cd	929003043702	MAS ExpertColor 10.8-50W 930 AR111 40D	1 200 cd
929003042702	MAS ExpertColor 14.8-75W 927 AR111 45D	1 200 cd	929003478602	MAS LEDEExpertColor 20-100W 927 AR111 24D	4 000 cd
929003042802	MAS ExpertColor 14.8-75W 930 AR111 24D	3 000 cd	929003478702	MAS LEDEExpertColor 20-100W 930 AR111 24D	4 200 cd
929003042902	MAS ExpertColor 14.8-75W 930 AR111 45D	1 300 cd	929003478802	MAS LEDEExpertColor 20-100W 940 AR111 24D	4 400 cd
929003043002	MAS ExpertColor 14.8-75W 940 AR111 24D	3 300 cd	929003478902	MAS LEDEExpertColor 20-100W 927 AR111 45D	2 100 cd
929003043102	MAS ExpertColor 14.8-75W 940 AR111 45D	1 400 cd	929003479002	MAS LEDEExpertColor 20-100W 930 AR111 45D	2 200 cd
929003043302	MAS ExpertColor 10.8-50W 927 AR111 24D	3 000 cd	929003479102	MAS LEDEExpertColor 20-100W 940 AR111 45D	2 300 cd
929003043402	MAS ExpertColor 10.8-50W 927 AR111 40D	1 200 cd	929003043202	MAS ExpertColor 10.8-50W 927 AR111 9D	8 000 cd
929003043602	MAS ExpertColor 10.8-50W 930 AR111 24D	3 200 cd			

# MASTER LED-spot ExpertColor AR111

Order Code	Full Product Name	Lysintensitet (nom.)
929003043502	MAS ExpertColor 10.8-50W 930 AR111 9D	8 000 cd

## Drift og elektronikk

Order Code	Full Product Name	Effektforbruk	Effekten som tilsvare
929003042602	MAS ExpertColor 14.8-75W 927 AR111 24D	14,8 W	75 W
929003042702	MAS ExpertColor 14.8-75W 927 AR111 45D	14,8 W	75 W
929003042802	MAS ExpertColor 14.8-75W 930 AR111 24D	14,8 W	75 W
929003042902	MAS ExpertColor 14.8-75W 930 AR111 45D	14,8 W	75 W
929003043002	MAS ExpertColor 14.8-75W 940 AR111 24D	14,8 W	75 W
929003043102	MAS ExpertColor 14.8-75W 940 AR111 45D	14,8 W	75 W
929003043302	MAS ExpertColor 10.8-50W 927 AR111 24D	10,8 W	50 W
929003043402	MAS ExpertColor 10.8-50W 927 AR111 40D	10,8 W	50 W
929003043602	MAS ExpertColor 10.8-50W 930 AR111 24D	10,8 W	50 W

Order Code	Full Product Name	Effektforbruk	Effekten som tilsvare
929003043702	MAS ExpertColor 10.8-50W 930 AR111 40D	10,8 W	50 W
929003478602	MAS LEDEExpertColor 20-100W 927 AR111 24D	20 W	100 W
929003478702	MAS LEDEExpertColor 20-100W 930 AR111 24D	20 W	100 W
929003478802	MAS LEDEExpertColor 20-100W 940 AR111 24D	20 W	100 W
929003478902	MAS LEDEExpertColor 20-100W 927 AR111 45D	20 W	100 W
929003479002	MAS LEDEExpertColor 20-100W 930 AR111 45D	20 W	100 W
929003479102	MAS LEDEExpertColor 20-100W 940 AR111 45D	20 W	100 W
929003043202	MAS ExpertColor 10.8-50W 927 AR111 9D	10,8 W	50 W
929003043502	MAS ExpertColor 10.8-50W 930 AR111 9D	10,8 W	50 W

## Temperatur

Order Code	Full Product Name	Maksimal temperatur for innfatningen (nom.)
929003042602	MAS ExpertColor 14.8-75W 927 AR111 24D	85 °C
929003042702	MAS ExpertColor 14.8-75W 927 AR111 45D	85 °C
929003042802	MAS ExpertColor 14.8-75W 930 AR111 24D	85 °C
929003042902	MAS ExpertColor 14.8-75W 930 AR111 45D	85 °C
929003043002	MAS ExpertColor 14.8-75W 940 AR111 24D	85 °C
929003043102	MAS ExpertColor 14.8-75W 940 AR111 45D	85 °C
929003043302	MAS ExpertColor 10.8-50W 927 AR111 24D	70 °C
929003043402	MAS ExpertColor 10.8-50W 927 AR111 40D	70 °C
929003043602	MAS ExpertColor 10.8-50W 930 AR111 24D	70 °C
929003043702	MAS ExpertColor 10.8-50W 930 AR111 40D	70 °C
929003478602	MAS LEDEExpertColor 20-100W 927 AR111 24D	77 °C

Order Code	Full Product Name	Maksimal temperatur for innfatningen (nom.)
929003478702	MAS LEDEExpertColor 20-100W 930 AR111 24D	77 °C
929003478802	MAS LEDEExpertColor 20-100W 940 AR111 24D	77 °C
929003478902	MAS LEDEExpertColor 20-100W 927 AR111 45D	77 °C
929003479002	MAS LEDEExpertColor 20-100W 930 AR111 45D	77 °C
929003479102	MAS LEDEExpertColor 20-100W 940 AR111 45D	77 °C
929003043202	MAS ExpertColor 10.8-50W 927 AR111 9D	70 °C
929003043502	MAS ExpertColor 10.8-50W 930 AR111 9D	70 °C

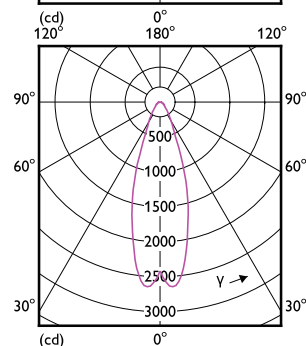
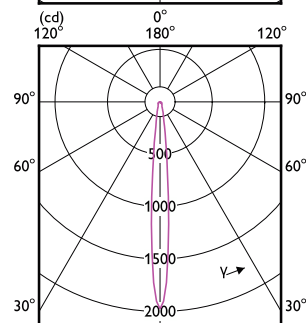
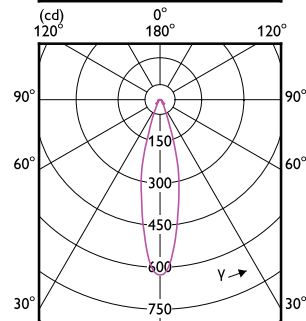
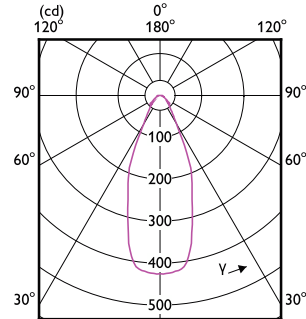
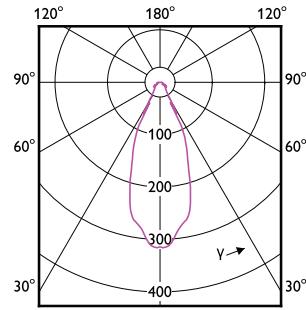
## Godkjenning og bruksområde

Order Code	Full Product Name	For omgivelsestemperaturer mellom	Energiforbruk kWh/1000 t
929003042602	MAS ExpertColor 14.8-75W 927 AR111 24D	-20 til +45 °C	15 kWh

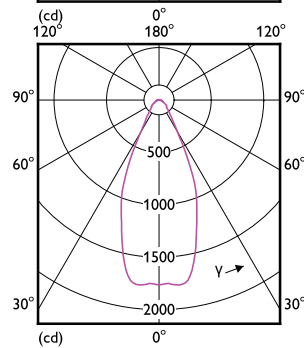
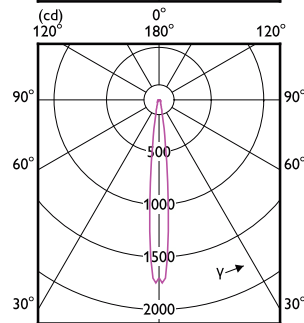
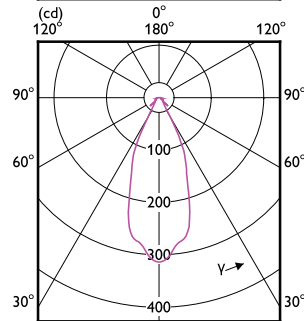
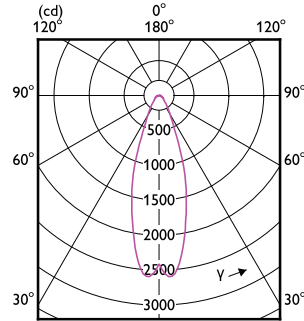
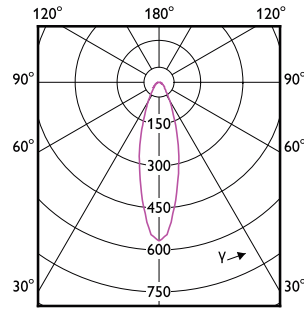
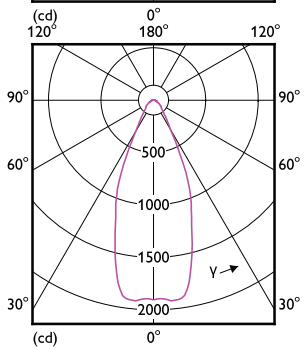
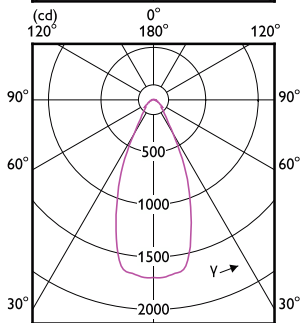
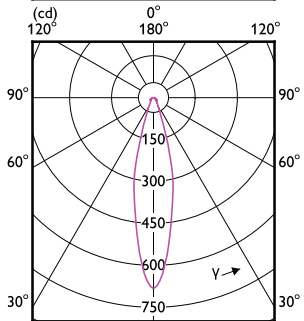
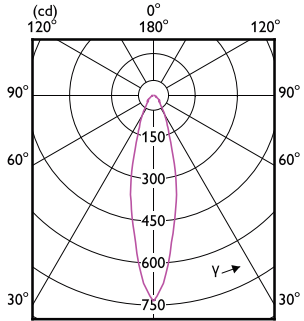
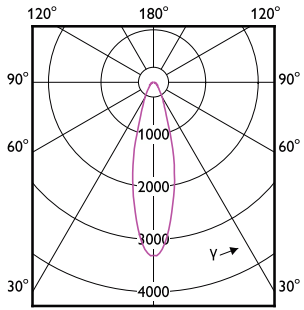
Order Code	Full Product Name	For omgivelsestemperaturer mellom	Energiforbruk kWh/1000 t
929003042702	MAS ExpertColor 14.8-75W 927 AR111 45D	-20 til +45 °C	15 kWh

# MASTER LED-spot ExpertColor AR111

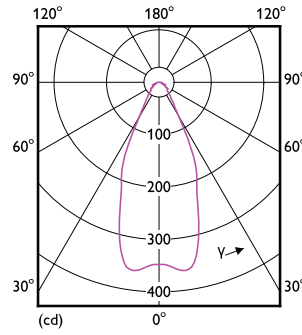
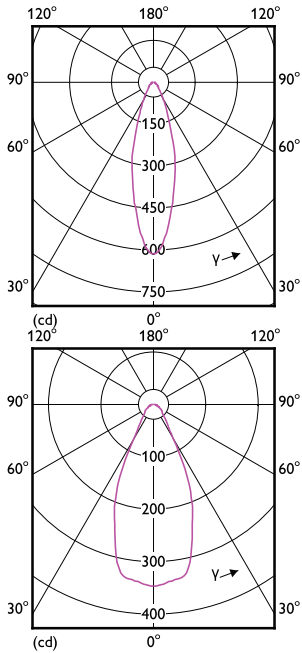
Order Code	Full Product Name	For omgivelsestemperaturer mellom	Energiforbruk kWh/1000 t
929003042802	MAS ExpertColor 14.8-75W 930 AR111 24D	-20 til +45 °C	15 kWh
929003042902	MAS ExpertColor 14.8-75W 930 AR111 45D	-20 til +45 °C	15 kWh
929003043002	MAS ExpertColor 14.8-75W 940 AR111 24D	-20 til +45 °C	15 kWh
929003043102	MAS ExpertColor 14.8-75W 940 AR111 45D	-20 til +45 °C	15 kWh
929003043302	MAS ExpertColor 10.8-50W 927 AR111 24D	-20 til +45 °C	11 kWh
929003043402	MAS ExpertColor 10.8-50W 927 AR111 40D	-20 til +45 °C	11 kWh
929003043602	MAS ExpertColor 10.8-50W 930 AR111 24D	-20 til +45 °C	11 kWh
929003043702	MAS ExpertColor 10.8-50W 930 AR111 40D	-20 til +45 °C	11 kWh
929003478602	MAS LEExpertColor 20-100W 927 AR111 24D	-20 °C til 45 °C	20 kWh
929003478702	MAS LEExpertColor 20-100W 930 AR111 24D	-20 °C til 45 °C	20 kWh
929003478802	MAS LEExpertColor 20-100W 940 AR111 24D	-20 °C til 45 °C	20 kWh
929003478902	MAS LEExpertColor 20-100W 927 AR111 45D	-20 °C til 45 °C	20 kWh
929003479002	MAS LEExpertColor 20-100W 930 AR111 45D	-20 °C til 45 °C	20 kWh
929003479102	MAS LEExpertColor 20-100W 940 AR111 45D	-20 °C til 45 °C	20 kWh
929003043202	MAS ExpertColor 10.8-50W 927 AR111 9D	-20 til +45 °C	11 kWh
929003043502	MAS ExpertColor 10.8-50W 930 AR111 9D	-20 til +45 °C	11 kWh



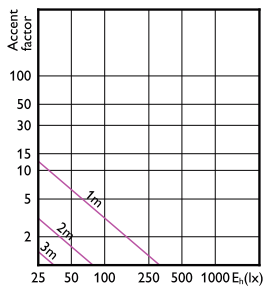
# MASTER LED-spot ExpertColor AR111



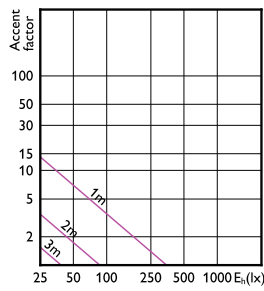
# MASTER LED-spot ExpertColor AR111



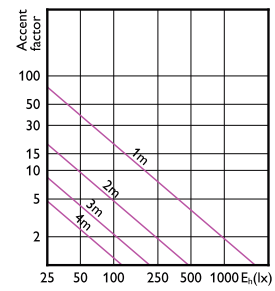
## Accent Diagrams



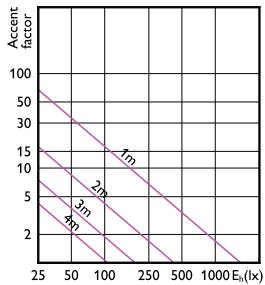
Accent Diagram - MAS ExpertColor 10.8-50W  
930 AR111 40D



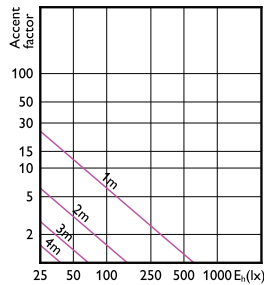
Accent Diagram - MAS ExpertColor 14.8-75W  
930 AR111 45D



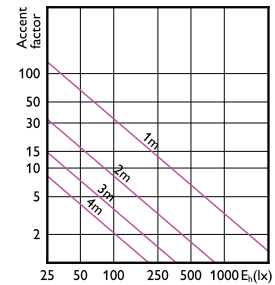
Accent Diagram - MAS LEExpertColor  
20-100W 930 AR111 45D



Accent Diagram - MAS LEExpertColor  
20-100W 927 AR111 45D



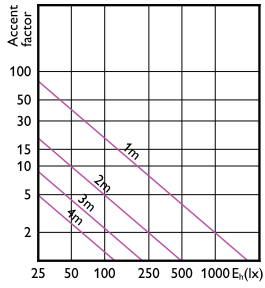
Accent Diagram - MAS ExpertColor 14.8-75W  
930 AR111 24D



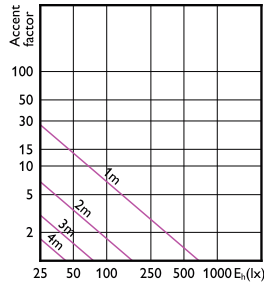
Accent Diagram - MAS LEExpertColor  
20-100W 940 AR111 24D

# MASTER LED-spot ExpertColor AR111

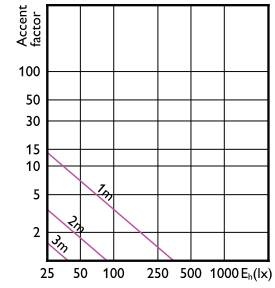
## Accent Diagrams



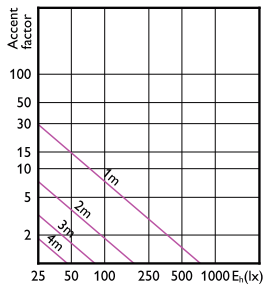
Accent Diagram - MAS ExpertColor 10.8-50W  
930 AR111 9D



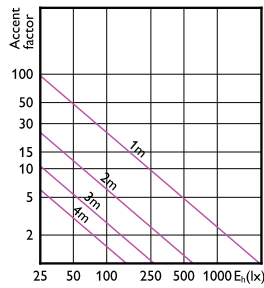
Accent Diagram - MAS ExpertColor 10.8-50W  
930 AR111 24D



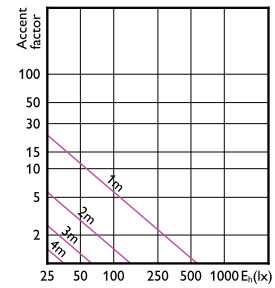
Accent Diagram - MAS ExpertColor 14.8-75W  
927 AR111 45D



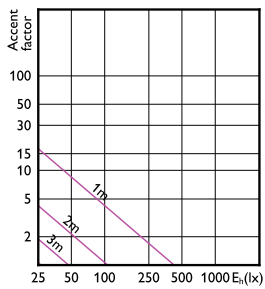
Accent Diagram - MAS ExpertColor 14.8-75W  
940 AR111 24D



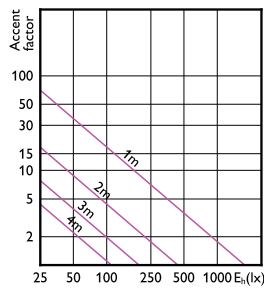
Accent Diagram - MAS LEExpertColor  
20-100W 927 AR111 24D



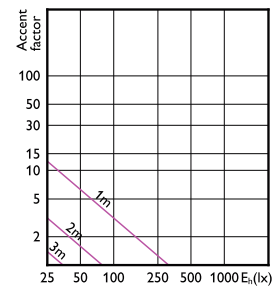
Accent Diagram - MAS ExpertColor 14.8-75W  
927 AR111 24D



Accent Diagram - MAS ExpertColor 14.8-75W  
940 AR111 45D



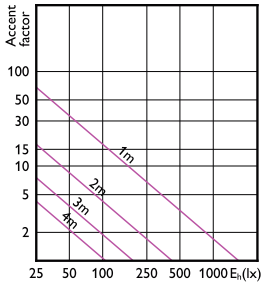
Accent Diagram - MAS LEExpertColor  
20-100W 940 AR111 45D



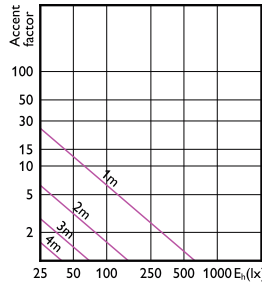
Accent Diagram - MAS ExpertColor 10.8-50W  
927 AR111 40D

# MASTER LED-spot ExpertColor AR111

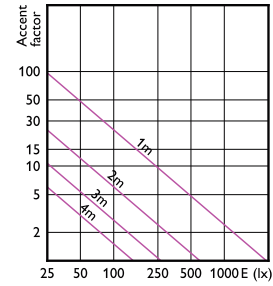
## Accent Diagrams



Accent Diagram - MAS ExpertColor 10.8-50W  
927 AR111 9D

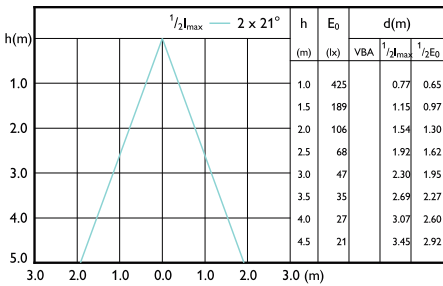


Accent Diagram - MAS ExpertColor 10.8-50W  
927 AR111 24D

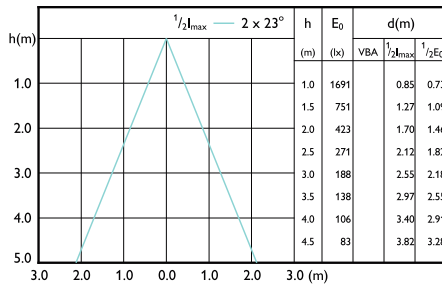


Accent Diagram - MAS LEDExpertColor  
20-100W 930 AR111 24D

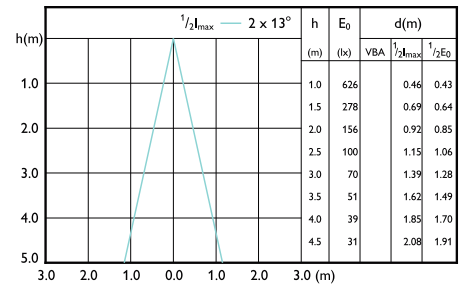
## Beam Diagrams



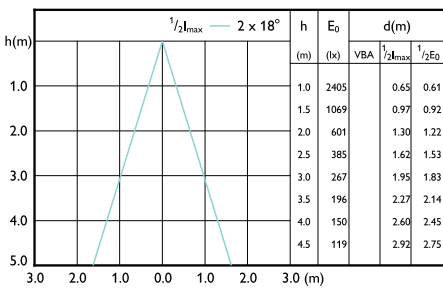
Beam diagram - MAS ExpertColor 14.8-75W  
940 AR111 45D



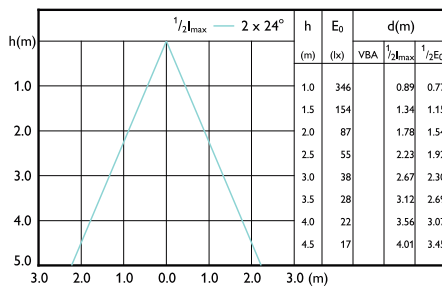
Beam diagram - MAS LEDExpertColor 20-100W  
927 AR111 45D



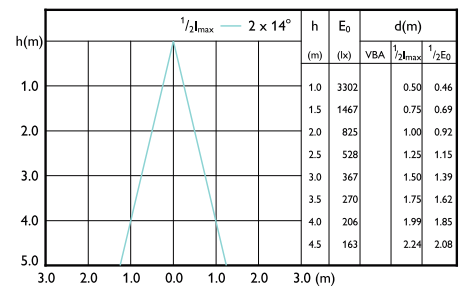
Beam diagram - MAS ExpertColor 10.8-50W  
927 AR111 24D



Beam diagram - MAS LEDExpertColor 20-100W  
930 AR111 24D



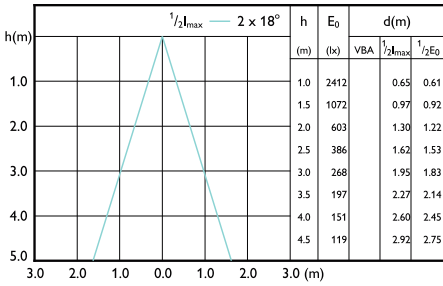
Beam diagram - MAS ExpertColor 14.8-75W  
930 AR111 45D



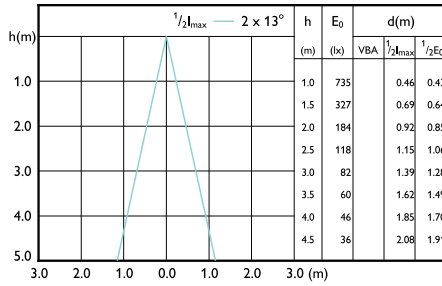
Beam diagram - MAS LEDExpertColor 20-100W  
940 AR111 24D

# MASTER LED-spot ExpertColor AR111

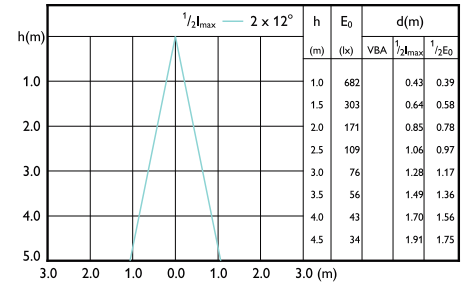
## Beam Diagrams



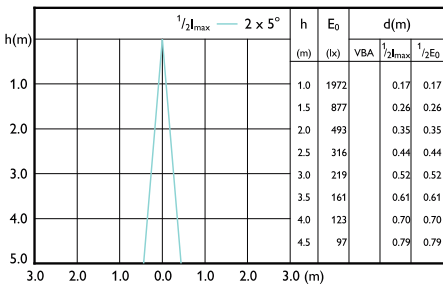
Beam diagram - MAS LEExpertColor 20-100W 927 AR111 24D



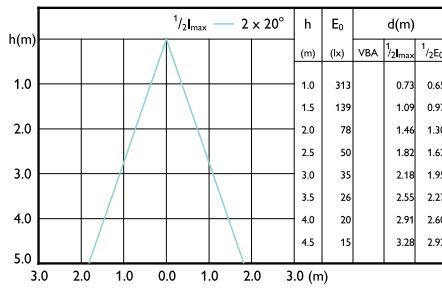
Beam diagram - MAS ExpertColor 14.8-75W 940 AR111 24D



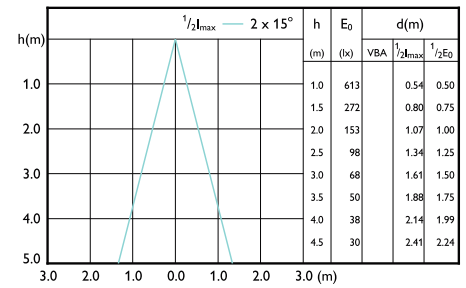
Beam diagram - MAS ExpertColor 10.8-50W 930 AR111 24D



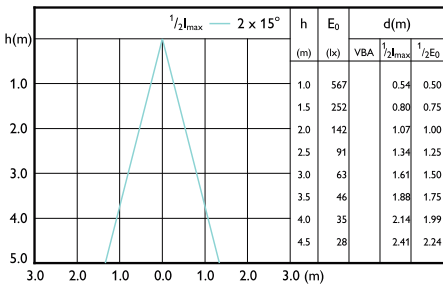
Beam diagram - MAS ExpertColor 10.8-50W 930 AR111 9D



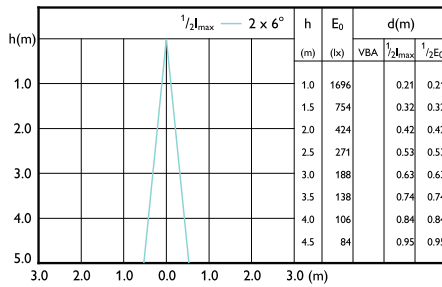
Beam diagram - MAS ExpertColor 10.8-50W 930 AR111 40D



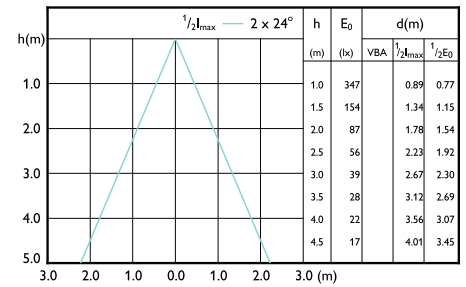
Beam diagram - MAS ExpertColor 14.8-75W 930 AR111 24D



Beam diagram - MAS ExpertColor 14.8-75W 927 AR111 24D



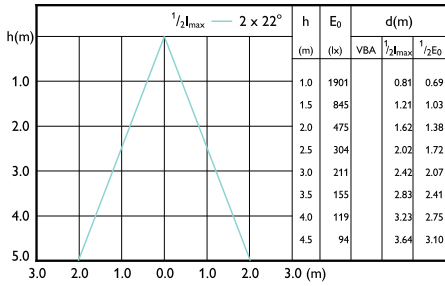
Beam diagram - MAS ExpertColor 10.8-50W 927 AR111 9D



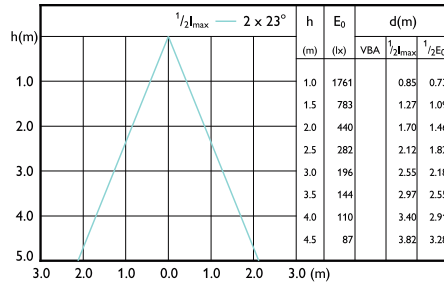
Beam diagram - MAS ExpertColor 14.8-75W 927 AR111 45D

# MASTER LED-spot ExpertColor AR111

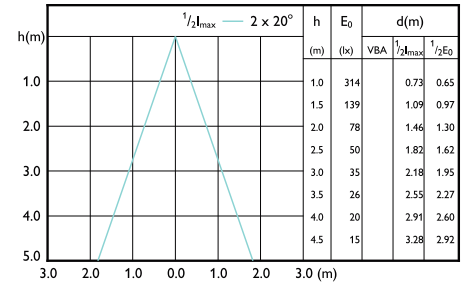
## Beam Diagrams



Beam diagram - MAS LEExpertColor 20-100W 930 AR111 45D



Beam diagram - MAS LEExpertColor 20-100W 940 AR111 45D



Beam diagram - MAS ExpertColor 10.8-50W 927 AR111 40D

