



# Create a warm, welcoming ambience with superior quality lighting

## MASTER LED spot ExpertColor AR111

MASTER LEDspot LV ExpertColor creates a warm and comfortable ambience for hospitality venues, homes and restaurants. It creates such an ambience with superior lighting that has a customized spectrum, high CRI, and deep dimming feature. The result? A beautiful lighting experience. What's more, the innovative, trimless lens design will suit almost any interior decor with its clean and neat look. In addition, you can take advantage of the full ExpertColor family, which also includes LEDspot MV and LEDspot Par lamps.

### Benefits

- Create warm and comfortable ambience
- Hassle-free retrofit solution for greater energy efficiency and sustainability
- Interior decor, furnishings and fabrics look great

### Features

- Customized color spectrum replicates halogen light color
- Trimless design with beautiful V-groove lens
- Best-in-class color realization CRI97, R9<gt;/>85
- Deep and smooth dimming with broad transformer compatibility
- Retrofittable with G53 luminaires

# MASTER LED spot ExpertColor AR111

## Application

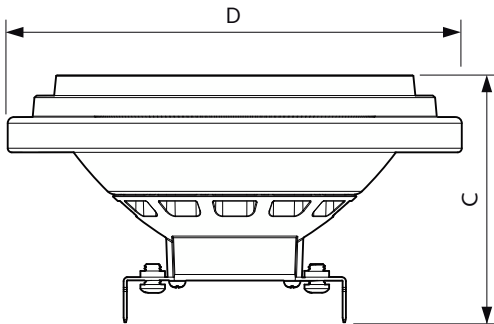
- Hospitality: hotel guest room, corridors, lobby, reception area, restaurants, bars, cafes
- Home: living room, bedrooms, hall way
- Retail: exhibitions, display cabinets, shops, dressing rooms

## Versions



LEDspots EU2 AR111 G53

## Dimensional drawing



Product	D	C
MAS LEDEExpertColor 20-100W 927 AR111 24D	111 mm	62 mm
MAS LEDEExpertColor 20-100W 927 AR111 45D	111 mm	62 mm
MAS LEDEExpertColor 20-100W 930 AR111 15D	111 mm	62 mm
MAS LEDEExpertColor 20-100W 930 AR111 24D	111 mm	62 mm
MAS LEDEExpertColor 20-100W 930 AR111 45D	111 mm	62 mm
MAS LEDEExpertColor 20-100W 940 AR111 24D	111 mm	62 mm
MAS LEDEExpertColor 20-100W 940 AR111 45D	111 mm	62 mm

# MASTER LED spot ExpertColor AR111

## General Information

Cap-Base	G53
Switching Cycle	50,000
Nominal lifetime	40,000 hour(s)

## Light Technical

Color rendering index (CRI)	97
LLMF At End Of Nominal Lifetime (Nom)	70 %

## Operating and Electrical

Input Frequency	50 to 60 Hz
Line Frequency	50 to 60 Hz
Power Consumption	20 W
Starting Time (Nom)	0.5 s
Wattage Equivalent	100 W

## Temperature

T-Case Maximum (Nom)	77 °C
----------------------	-------

## Controls and Dimming

Dimmable	Only with specific dimmers
----------	----------------------------

## Mechanical and Housing

Bulb Finish	Clear
Bulb Shape	AR111

## Approval and Application

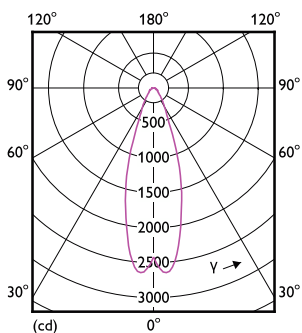
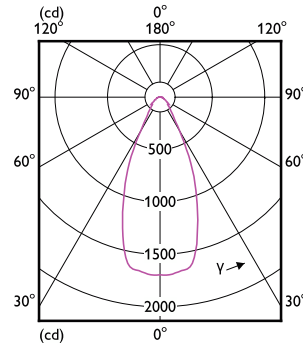
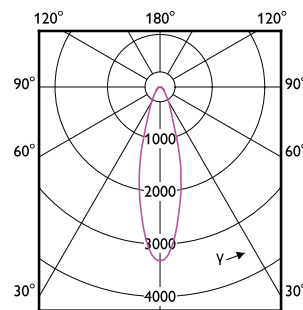
Ambient temperature range	-20 °C to 45 °C
---------------------------	-----------------

## Light Technical (1/2)

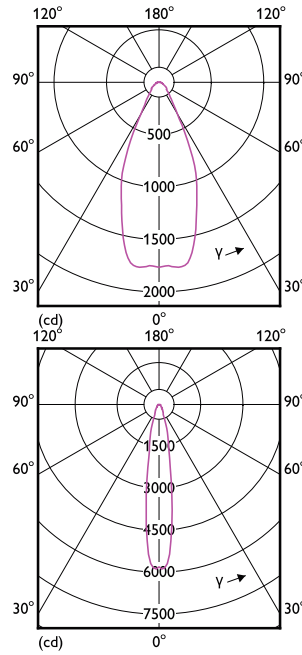
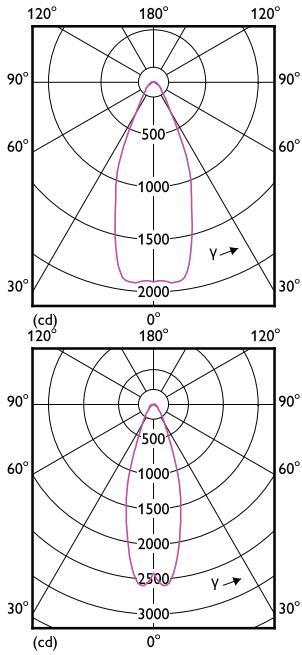
Order Code	Full Product Name	Beam Angle (Nom)	Correlated Color		
			Temperature (Nom)	Color Code	Luminous Flux
929003478608	MAS LEDExpertColor 20-100W 927 AR111 24D	24 degree(s)	2700 K	927	1,500 lm
929003478708	MAS LEDExpertColor 20-100W 930 AR111 24D	24 degree(s)	3000 K	930	1,600 lm
929003478808	MAS LEDExpertColor 20-100W 940 AR111 24D	24 degree(s)	4000 K	940	1,700 lm
929003478908	MAS LEDExpertColor 20-100W 927 AR111 45D	45 degree(s)	2700 K	927	1,500 lm
929003479008	MAS LEDExpertColor 20-100W 930 AR111 45D	45 degree(s)	3000 K	930	1,600 lm
929003479108	MAS LEDExpertColor 20-100W 940 AR111 45D	45 degree(s)	4000 K	940	1,700 lm
929003478408	MAS LEDExpertColor 20-100W 930 AR111 15D	15 degree(s)	3000 K	930	1,600 lm

## Light Technical (2/2)

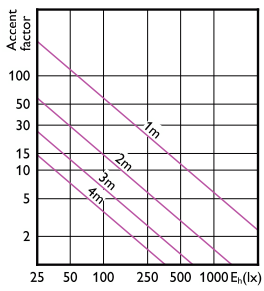
Order Code	Full Product Name	Luminous Intensity (Nom)
929003478608	MAS LEDExpertColor 20-100W 927 AR111 24D	4,000 cd
929003478708	MAS LEDExpertColor 20-100W 930 AR111 24D	4,200 cd
929003478808	MAS LEDExpertColor 20-100W 940 AR111 24D	4,400 cd
929003478908	MAS LEDExpertColor 20-100W 927 AR111 45D	2,100 cd
929003479008	MAS LEDExpertColor 20-100W 930 AR111 45D	2,200 cd
929003479108	MAS LEDExpertColor 20-100W 940 AR111 45D	2,300 cd
929003478408	MAS LEDExpertColor 20-100W 930 AR111 15D	8,500 cd



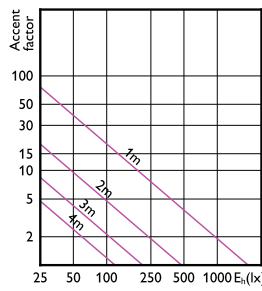
# MASTER LED spot ExpertColor AR111



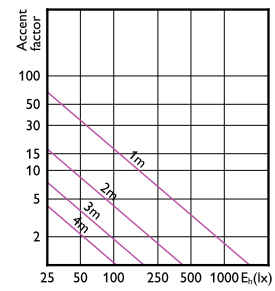
## Accent Diagrams



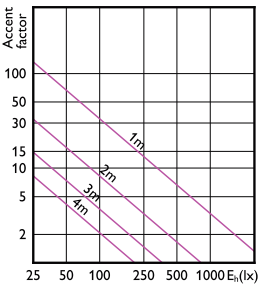
Accent Diagram - MAS LEExpertColor  
20-100W 930 AR111 15D



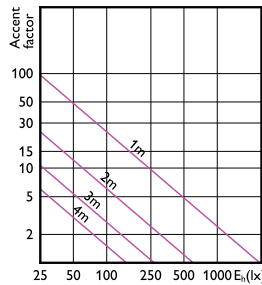
Accent Diagram - MAS LEExpertColor  
20-100W 930 AR111 45D



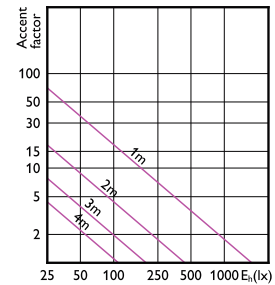
Accent Diagram - MAS LEExpertColor  
20-100W 927 AR111 45D



Accent Diagram - MAS LEExpertColor  
20-100W 940 AR111 24D



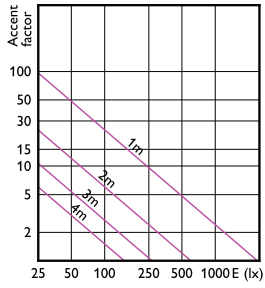
Accent Diagram - MAS LEExpertColor  
20-100W 927 AR111 24D



Accent Diagram - MAS LEExpertColor  
20-100W 940 AR111 45D

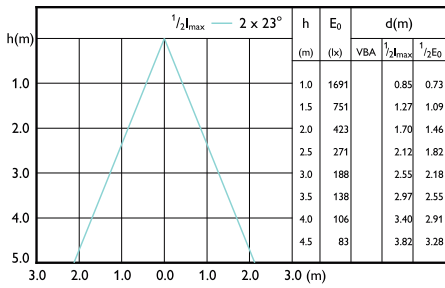
# MASTER LED spot ExpertColor AR111

## Accent Diagrams

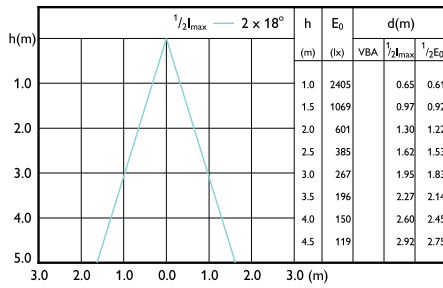


Accent Diagram - MAS LEExpertColor  
20-100W 930 AR111 24D

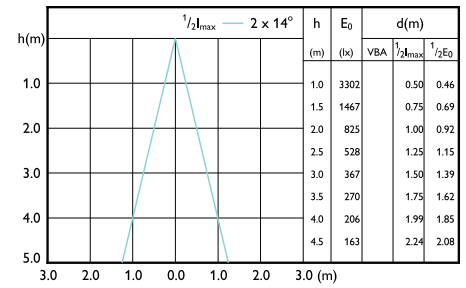
## Beam Diagrams



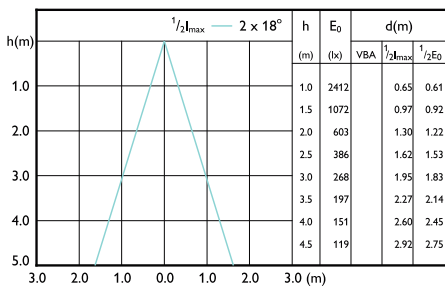
Beam diagram - MAS LEExpertColor 20-100W  
927 AR111 45D



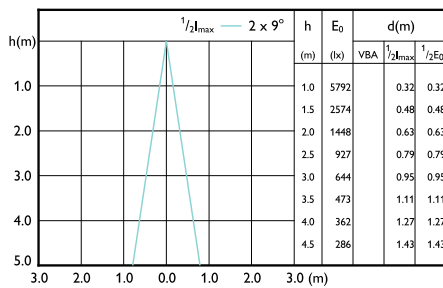
Beam diagram - MAS LEExpertColor 20-100W  
930 AR111 24D



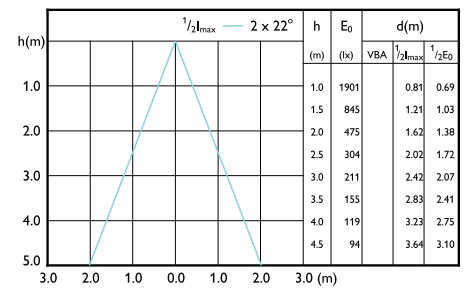
Beam diagram - MAS LEExpertColor 20-100W  
940 AR111 24D



Beam diagram - MAS LEExpertColor 20-100W  
927 AR111 24D



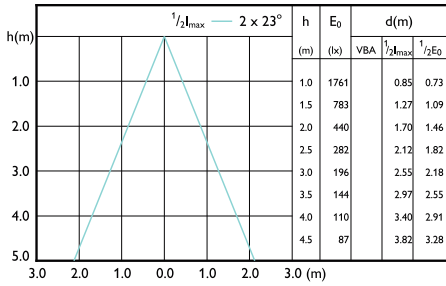
Beam diagram - MAS LEExpertColor 20-100W  
930 AR111 15D



Beam diagram - MAS LEExpertColor 20-100W  
930 AR111 45D

# MASTER LED spot ExpertColor AR111

## Beam Diagrams



Beam diagram - MAS LEExpertColor 20-100W  
940 AR111 45D

