



# Create a warm, welcoming ambience with superior-quality lighting

## MASTER LED spot ExpertColor AR111

The MASTER LEDspot LV ExpertColor creates a warm and comfortable ambience for hospitality venues, homes and restaurants. It creates ambience with superior lighting that has a customised spectrum, high CRI and deep dimming features. The result? A beautiful lighting experience. What's more, the innovative, trimless lens design will also suit almost any interior decor with its clean and neat look. In addition, you can take advantage of the full ExpertColor family, which also includes LEDspot LV and LEDspot Par lamps.

### Benefits

- Create warm and comfortable ambience
- A hassle-free retrofit solution for greater energy efficiency and sustainability
- Interior decor, furnishings and fabrics look great

### Features

- Customised colour spectrum replicates halogen light colour
- Trimless design with beautiful V-groove lens
- Best-in-class colour realisation CRI97, R9<gt/>85
- Deep and smooth dimming with broad transformer compatibility
- Retrofittable with G53 luminaires

# MASTER LED spot ExpertColor AR111

## Application

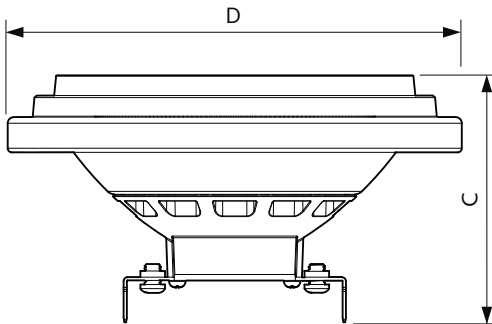
- Hospitality: hotel guest rooms, corridors, lobbies, reception areas, restaurants, bars, cafes
- Home: living room, bedrooms, hallway
- Retail: exhibitions, display cabinets, shops, dressing rooms

## Versions



LEDspots MAS SLR AR111 G53

## Dimensional drawing



| Product                                   | D      | C     |
|---|--------|-------|
| MAS ExpertColor 10.8-50W 927 AR111 24D    | 111 mm | 61 mm |
| MAS ExpertColor 10.8-50W 927 AR111 40D    | 111 mm | 61 mm |
| MAS ExpertColor 10.8-50W 927 AR111 9D     | 111 mm | 61 mm |
| MAS ExpertColor 10.8-50W 930 AR111 24D    | 111 mm | 61 mm |
| MAS ExpertColor 10.8-50W 930 AR111 40D    | 111 mm | 61 mm |
| MAS ExpertColor 10.8-50W 930 AR111 9D     | 111 mm | 61 mm |
| MAS ExpertColor 14.8-75W 927 AR111 24D    | 111 mm | 61 mm |
| MAS ExpertColor 14.8-75W 927 AR111 45D    | 111 mm | 61 mm |
| MAS ExpertColor 14.8-75W 930 AR111 24D    | 111 mm | 61 mm |
| MAS ExpertColor 14.8-75W 930 AR111 45D    | 111 mm | 61 mm |
| MAS ExpertColor 14.8-75W 940 AR111 24D    | 111 mm | 61 mm |
| MAS ExpertColor 14.8-75W 940 AR111 45D    | 111 mm | 61 mm |
| MAS LEDEExpertColor 20-100W 927 AR111 24D | 111 mm | 62 mm |
| MAS LEDEExpertColor 20-100W 927 AR111 45D | 111 mm | 62 mm |
| MAS LEDEExpertColor 20-100W 930 AR111 24D | 111 mm | 62 mm |
| MAS LEDEExpertColor 20-100W 930 AR111 45D | 111 mm | 62 mm |
| MAS LEDEExpertColor 20-100W 940 AR111 24D | 111 mm | 62 mm |
| MAS LEDEExpertColor 20-100W 940 AR111 45D | 111 mm | 62 mm |

# MASTER LED spot ExpertColor AR111

## General Information

|                  |          |
|------------------|----------|
| Cap base         | G53      |
| Switching Cycle  | 50,000   |
| Nominal lifetime | 40,000 h |

## Light Technical

|  |      |
|--|------|
| Colour rendering index (CRI)           | 95   |
| LLMF at end of nominal lifetime (nom.) | 70 % |

## Operating and Electrical

|                      |             |
|----------------------|-------------|
| Input frequency      | 50 to 60 Hz |
| Line Frequency       | 50 to 60 Hz |
| Starting time (nom.) | 0.5 s       |

## Controls and Dimming

|          |                            |
|----------|----------------------------|
| Dimmable | Only with specific dimmers |
|----------|----------------------------|

## Mechanical and Housing

|             |       |
|-------------|-------|
| Lamp Finish | Clear |
| Bulb shape  | AR111 |

## Light Technical (1/2)

| Order Code   | Full Product Name                         | Beam angle (nom.) | Correlated Colour |             |               |
|--------------|---|-------------------|-------------------|-------------|---------------|
|              |   |                   | Temperature (Nom) | Colour Code | Luminous Flux |
| 929003042602 | MAS ExpertColor 14.8-75W 927 AR111 24D    | 24 degree(s)      | 2700 K            | 927         | 875 lm        |
| 929003042702 | MAS ExpertColor 14.8-75W 927 AR111 45D    | 45 degree(s)      | 2700 K            | 927         | 875 lm        |
| 929003042802 | MAS ExpertColor 14.8-75W 930 AR111 24D    | 24 degree(s)      | 3000 K            | 930         | 875 lm        |
| 929003042902 | MAS ExpertColor 14.8-75W 930 AR111 45D    | 45 degree(s)      | 3000 K            | 930         | 875 lm        |
| 929003043002 | MAS ExpertColor 14.8-75W 940 AR111 24D    | 24 degree(s)      | 4000 K            | 940         | 950 lm        |
| 929003043102 | MAS ExpertColor 14.8-75W 940 AR111 45D    | 45 degree(s)      | 4000 K            | 940         | 950 lm        |
| 929003043302 | MAS ExpertColor 10.8-50W 927 AR111 24D    | 24 degree(s)      | 2700 K            | 927         | 600 lm        |
| 929003043402 | MAS ExpertColor 10.8-50W 927 AR111 40D    | 40 degree(s)      | 2700 K            | 927         | 600 lm        |
| 929003043602 | MAS ExpertColor 10.8-50W 930 AR111 24D    | 24 degree(s)      | 3000 K            | 930         | 620 lm        |
| 929003043702 | MAS ExpertColor 10.8-50W 930 AR111 40D    | 40 degree(s)      | 3000 K            | 930         | 620 lm        |
| 929003478602 | MAS LEDEExpertColor 20-100W 927 AR111 24D | 24 degree(s)      | 2700 K            | 927         | 1,270 lm      |
| 929003478702 | MAS LEDEExpertColor 20-100W 930 AR111 24D | 24 degree(s)      | 3000 K            | 930         | 1,270 lm      |
| 929003478802 | MAS LEDEExpertColor 20-100W 940 AR111 24D | 24 degree(s)      | 4000 K            | 940         | 1,270 lm      |
| 929003478902 | MAS LEDEExpertColor 20-100W 927 AR111 45D | 45 degree(s)      | 2700 K            | 927         | 1,270 lm      |
| 929003479002 | MAS LEDEExpertColor 20-100W 930 AR111 45D | 45 degree(s)      | 3000 K            | 930         | 1,270 lm      |
| 929003479102 | MAS LEDEExpertColor 20-100W 940 AR111 45D | 45 degree(s)      | 4000 K            | 940         | 1,270 lm      |
| 929003043202 | MAS ExpertColor 10.8-50W 927 AR111 9D     | 9 degree(s)       | 2700 K            | 927         | 600 lm        |
| 929003043502 | MAS ExpertColor 10.8-50W 930 AR111 9D     | 9 degree(s)       | 3000 K            | 930         | 620 lm        |

## Light Technical (2/2)

| Order Code   | Full Product Name                      | Luminous intensity (nom.) | Order Code   | Full Product Name                         | Luminous intensity (nom.) |
|--------------|--|---------------------------|--------------|---|---------------------------|
| 929003042602 | MAS ExpertColor 14.8-75W 927 AR111 24D | 3,000 cd                  | 929003043402 | MAS ExpertColor 10.8-50W 927 AR111 40D    | 1,200 cd                  |
| 929003042702 | MAS ExpertColor 14.8-75W 927 AR111 45D | 1,200 cd                  | 929003043602 | MAS ExpertColor 10.8-50W 930 AR111 24D    | 3,200 cd                  |
| 929003042802 | MAS ExpertColor 14.8-75W 930 AR111 24D | 3,000 cd                  | 929003043702 | MAS ExpertColor 10.8-50W 930 AR111 40D    | 1,200 cd                  |
| 929003042902 | MAS ExpertColor 14.8-75W 930 AR111 45D | 1,300 cd                  | 929003478602 | MAS LEDEExpertColor 20-100W 927 AR111 24D | 4,000 cd                  |
| 929003043002 | MAS ExpertColor 14.8-75W 940 AR111 24D | 3,300 cd                  | 929003478702 | MAS LEDEExpertColor 20-100W 930 AR111 24D | 4,200 cd                  |
| 929003043102 | MAS ExpertColor 14.8-75W 940 AR111 45D | 1,400 cd                  | 929003478802 | MAS LEDEExpertColor 20-100W 940 AR111 24D | 4,400 cd                  |
| 929003043302 | MAS ExpertColor 10.8-50W 927 AR111 24D | 3,000 cd                  | 929003478902 | MAS LEDEExpertColor 20-100W 927 AR111 45D | 2,100 cd                  |

# MASTER LED spot ExpertColor AR111

| Order Code   | Full Product Name                         | Luminous intensity (nom.) |
|--------------|---|---------------------------|
| 929003479002 | MAS LEDEExpertColor 20-100W 930 AR111 45D | 2,200 cd                  |
| 929003479102 | MAS LEDEExpertColor 20-100W 940 AR111 45D | 2,300 cd                  |

| Order Code   | Full Product Name                     | Luminous intensity (nom.) |
|--------------|---------------------------------------|---------------------------|
| 929003043202 | MAS ExpertColor 10.8-50W 927 AR111 9D | 8,000 cd                  |
| 929003043502 | MAS ExpertColor 10.8-50W 930 AR111 9D | 8,000 cd                  |

## Operating and Electrical

| Order Code   | Full Product Name                      | Power Consumption | Wattage equivalent |
|--------------|--|-------------------|--------------------|
| 929003042602 | MAS ExpertColor 14.8-75W 927 AR111 24D | 14.8 W            | 75 W               |
| 929003042702 | MAS ExpertColor 14.8-75W 927 AR111 45D | 14.8 W            | 75 W               |
| 929003042802 | MAS ExpertColor 14.8-75W 930 AR111 24D | 14.8 W            | 75 W               |
| 929003042902 | MAS ExpertColor 14.8-75W 930 AR111 45D | 14.8 W            | 75 W               |
| 929003043002 | MAS ExpertColor 14.8-75W 940 AR111 24D | 14.8 W            | 75 W               |
| 929003043102 | MAS ExpertColor 14.8-75W 940 AR111 45D | 14.8 W            | 75 W               |
| 929003043302 | MAS ExpertColor 10.8-50W 927 AR111 24D | 10.8 W            | 50 W               |
| 929003043402 | MAS ExpertColor 10.8-50W 927 AR111 40D | 10.8 W            | 50 W               |
| 929003043602 | MAS ExpertColor 10.8-50W 930 AR111 24D | 10.8 W            | 50 W               |

| Order Code   | Full Product Name                         | Power Consumption | Wattage equivalent |
|--------------|---|-------------------|--------------------|
| 929003043702 | MAS ExpertColor 10.8-50W 930 AR111 40D    | 10.8 W            | 50 W               |
| 929003478602 | MAS LEDEExpertColor 20-100W 927 AR111 24D | 20 W              | 100 W              |
| 929003478702 | MAS LEDEExpertColor 20-100W 930 AR111 24D | 20 W              | 100 W              |
| 929003478802 | MAS LEDEExpertColor 20-100W 940 AR111 24D | 20 W              | 100 W              |
| 929003478902 | MAS LEDEExpertColor 20-100W 927 AR111 45D | 20 W              | 100 W              |
| 929003479002 | MAS LEDEExpertColor 20-100W 930 AR111 45D | 20 W              | 100 W              |
| 929003479102 | MAS LEDEExpertColor 20-100W 940 AR111 45D | 20 W              | 100 W              |
| 929003043202 | MAS ExpertColor 10.8-50W 927 AR111 9D     | 10.8 W            | 50 W               |
| 929003043502 | MAS ExpertColor 10.8-50W 930 AR111 9D     | 10.8 W            | 50 W               |

## Temperature

| Order Code   | Full Product Name                      | T-Case maximum (nom.) |
|--------------|--|-----------------------|
| 929003042602 | MAS ExpertColor 14.8-75W 927 AR111 24D | 85 °C                 |
| 929003042702 | MAS ExpertColor 14.8-75W 927 AR111 45D | 85 °C                 |
| 929003042802 | MAS ExpertColor 14.8-75W 930 AR111 24D | 85 °C                 |
| 929003042902 | MAS ExpertColor 14.8-75W 930 AR111 45D | 85 °C                 |
| 929003043002 | MAS ExpertColor 14.8-75W 940 AR111 24D | 85 °C                 |
| 929003043102 | MAS ExpertColor 14.8-75W 940 AR111 45D | 85 °C                 |
| 929003043302 | MAS ExpertColor 10.8-50W 927 AR111 24D | 70 °C                 |
| 929003043402 | MAS ExpertColor 10.8-50W 927 AR111 40D | 70 °C                 |
| 929003043602 | MAS ExpertColor 10.8-50W 930 AR111 24D | 70 °C                 |

| Order Code   | Full Product Name                         | T-Case maximum (nom.) |
|--------------|---|-----------------------|
| 929003043702 | MAS ExpertColor 10.8-50W 930 AR111 40D    | 70 °C                 |
| 929003478602 | MAS LEDEExpertColor 20-100W 927 AR111 24D | 77 °C                 |
| 929003478702 | MAS LEDEExpertColor 20-100W 930 AR111 24D | 77 °C                 |
| 929003478802 | MAS LEDEExpertColor 20-100W 940 AR111 24D | 77 °C                 |
| 929003478902 | MAS LEDEExpertColor 20-100W 927 AR111 45D | 77 °C                 |
| 929003479002 | MAS LEDEExpertColor 20-100W 930 AR111 45D | 77 °C                 |
| 929003479102 | MAS LEDEExpertColor 20-100W 940 AR111 45D | 77 °C                 |
| 929003043202 | MAS ExpertColor 10.8-50W 927 AR111 9D     | 70 °C                 |
| 929003043502 | MAS ExpertColor 10.8-50W 930 AR111 9D     | 70 °C                 |

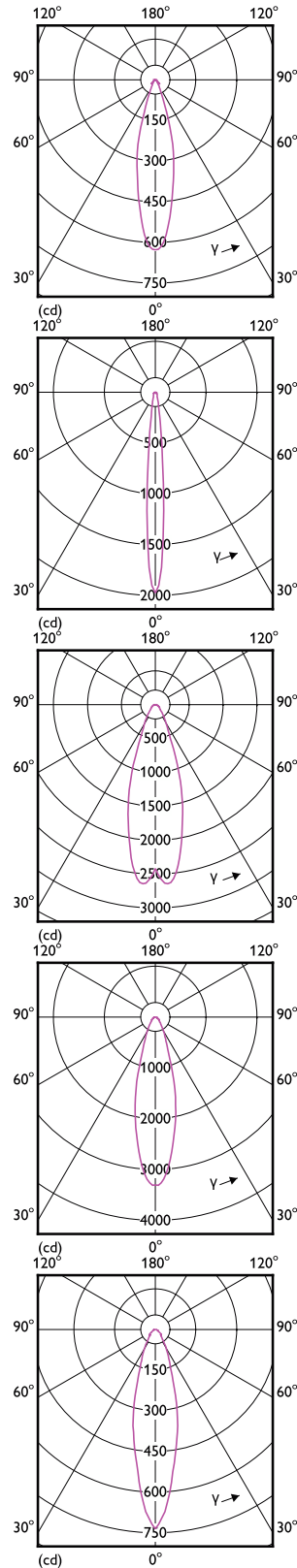
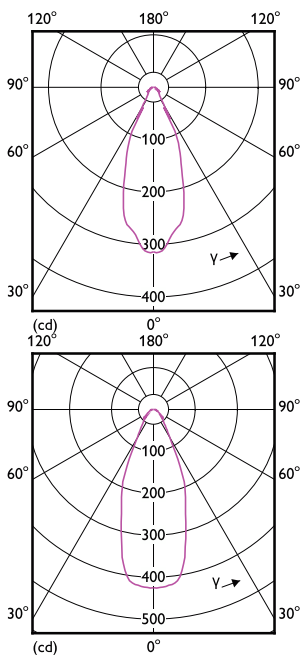
## Approval and Application

| Order Code   | Full Product Name                      | Ambient temperature range | Energy consumption kWh/1,000 hours |
|--------------|--|---------------------------|------------------------------------|
| 929003042602 | MAS ExpertColor 14.8-75W 927 AR111 24D | -20 to +45 °C             | 15 kWh                             |
| 929003042702 | MAS ExpertColor 14.8-75W 927 AR111 45D | -20 to +45 °C             | 15 kWh                             |

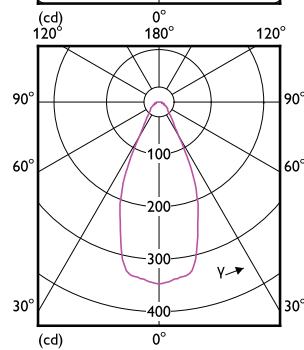
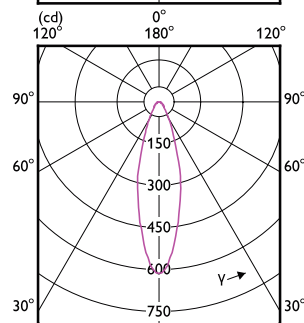
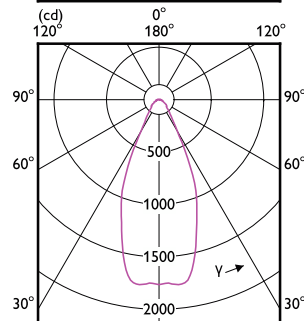
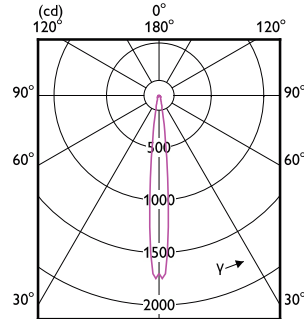
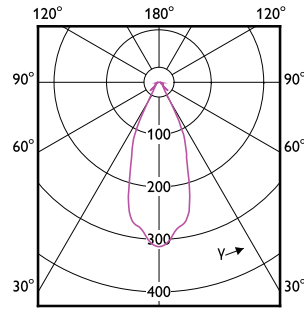
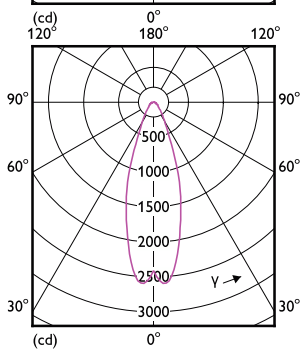
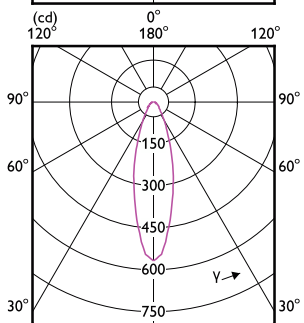
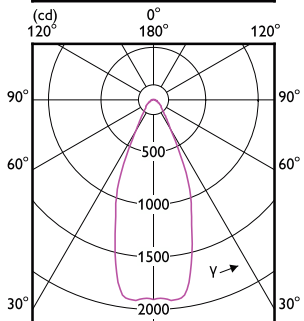
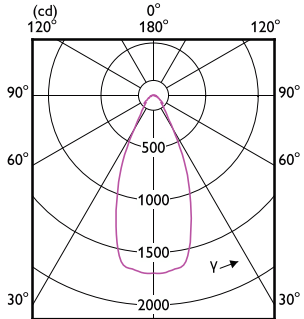
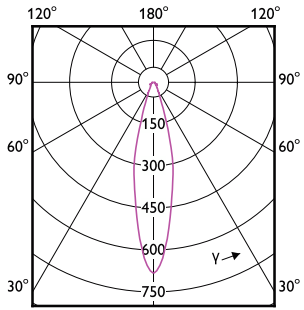
| Order Code   | Full Product Name                      | Ambient temperature range | Energy consumption kWh/1,000 hours |
|--------------|--|---------------------------|------------------------------------|
| 929003042802 | MAS ExpertColor 14.8-75W 930 AR111 24D | -20 to +45 °C             | 15 kWh                             |
| 929003042902 | MAS ExpertColor 14.8-75W 930 AR111 45D | -20 to +45 °C             | 15 kWh                             |

# MASTER LED spot ExpertColor AR111

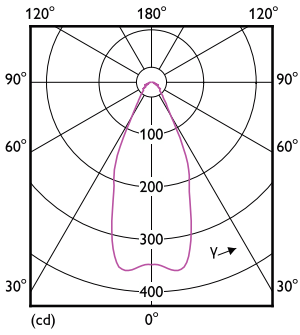
| Order Code   | Full Product Name                          | Ambient temperature range | Energy consumption kWh/1,000 hours |
|--------------|--|---------------------------|------------------------------------|
| 929003043002 | MAS ExpertColor 14.8-75W<br>940 AR111 24D  | -20 to +45 °C             | 15 kWh                             |
| 929003043102 | MAS ExpertColor 14.8-75W<br>940 AR111 45D  | -20 to +45 °C             | 15 kWh                             |
| 929003043302 | MAS ExpertColor 10.8-50W<br>927 AR111 24D  | -20 to +45 °C             | 11 kWh                             |
| 929003043402 | MAS ExpertColor 10.8-50W<br>927 AR111 40D  | -20 to +45 °C             | 11 kWh                             |
| 929003043602 | MAS ExpertColor 10.8-50W<br>930 AR111 24D  | -20 to +45 °C             | 11 kWh                             |
| 929003043702 | MAS ExpertColor 10.8-50W<br>930 AR111 40D  | -20 to +45 °C             | 11 kWh                             |
| 929003478602 | MAS LEExpertColor<br>20-100W 927 AR111 24D | -20°C to 45°C             | 20 kWh                             |
| 929003478702 | MAS LEExpertColor<br>20-100W 930 AR111 24D | -20°C to 45°C             | 20 kWh                             |
| 929003478802 | MAS LEExpertColor<br>20-100W 940 AR111 24D | -20°C to 45°C             | 20 kWh                             |
| 929003478902 | MAS LEExpertColor<br>20-100W 927 AR111 45D | -20°C to 45°C             | 20 kWh                             |
| 929003479002 | MAS LEExpertColor<br>20-100W 930 AR111 45D | -20°C to 45°C             | 20 kWh                             |
| 929003479102 | MAS LEExpertColor<br>20-100W 940 AR111 45D | -20°C to 45°C             | 20 kWh                             |
| 929003043202 | MAS ExpertColor 10.8-50W<br>927 AR111 9D   | -20 to +45 °C             | 11 kWh                             |
| 929003043502 | MAS ExpertColor 10.8-50W<br>930 AR111 9D   | -20 to +45 °C             | 11 kWh                             |



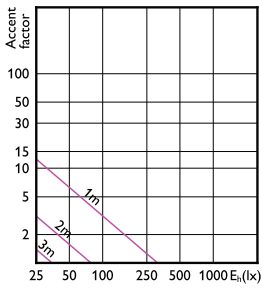
# MASTER LED spot ExpertColor AR111



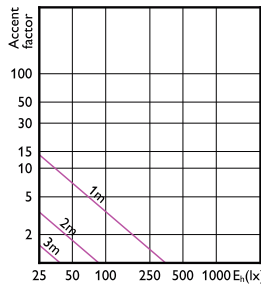
# MASTER LED spot ExpertColor AR111



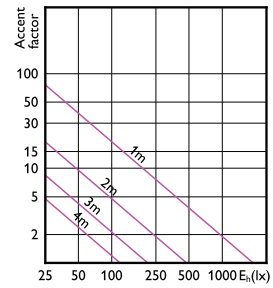
## Accent Diagrams



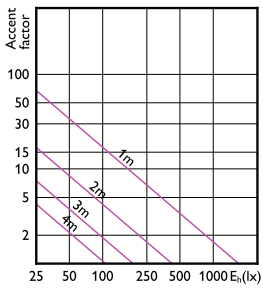
Accent Diagram - MAS ExpertColor 10.8-50W  
930 AR111 40D



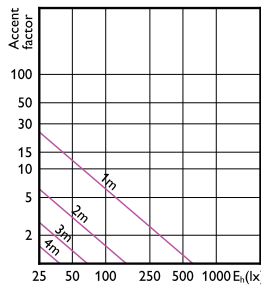
Accent Diagram - MAS ExpertColor 14.8-75W  
930 AR111 45D



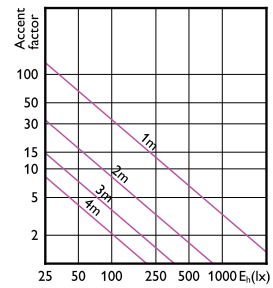
Accent Diagram - MAS LEDExpertColor  
20-100W 930 AR111 45D



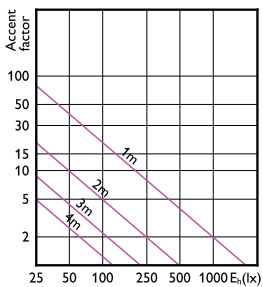
Accent Diagram - MAS LEDExpertColor  
20-100W 927 AR111 45D



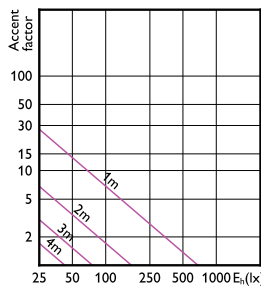
Accent Diagram - MAS ExpertColor 14.8-75W  
930 AR111 24D



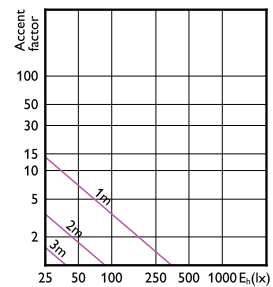
Accent Diagram - MAS LEDExpertColor  
20-100W 940 AR111 24D



Accent Diagram - MAS ExpertColor 10.8-50W  
930 AR111 9D



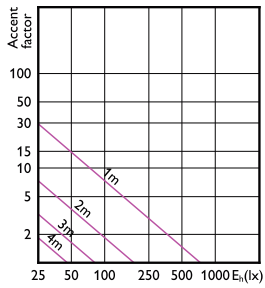
Accent Diagram - MAS ExpertColor 10.8-50W  
930 AR111 24D



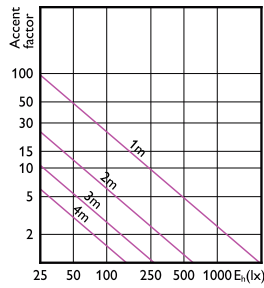
Accent Diagram - MAS ExpertColor 14.8-75W  
927 AR111 45D

# MASTER LED spot ExpertColor AR111

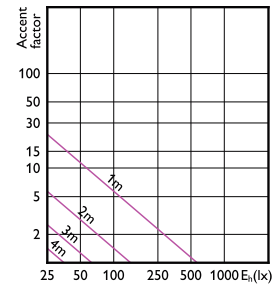
## Accent Diagrams



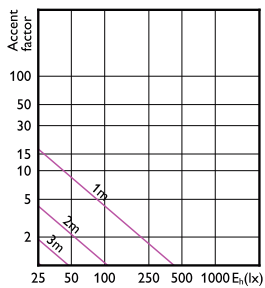
Accent Diagram - MAS ExpertColor 14.8-75W  
940 AR111 24D



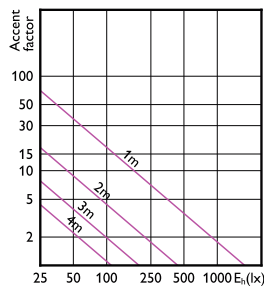
Accent Diagram - MAS LEExpertColor  
20-100W 927 AR111 24D



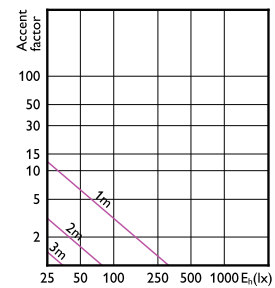
Accent Diagram - MAS ExpertColor 14.8-75W  
927 AR111 24D



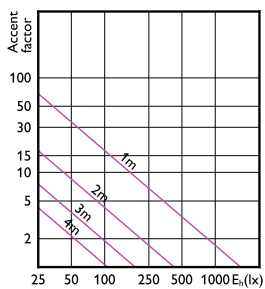
Accent Diagram - MAS ExpertColor 14.8-75W  
940 AR111 45D



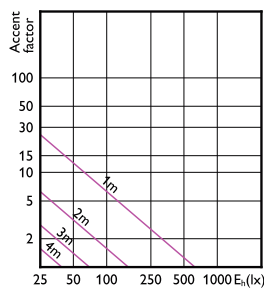
Accent Diagram - MAS LEExpertColor  
20-100W 940 AR111 45D



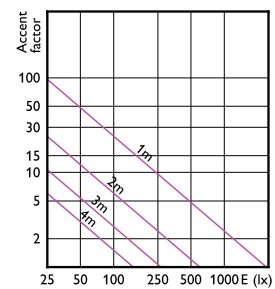
Accent Diagram - MAS ExpertColor 10.8-50W  
927 AR111 40D



Accent Diagram - MAS ExpertColor 10.8-50W  
927 AR111 9D



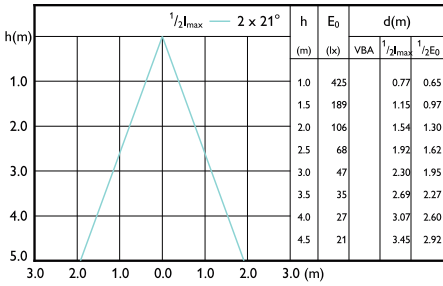
Accent Diagram - MAS ExpertColor 10.8-50W  
927 AR111 24D



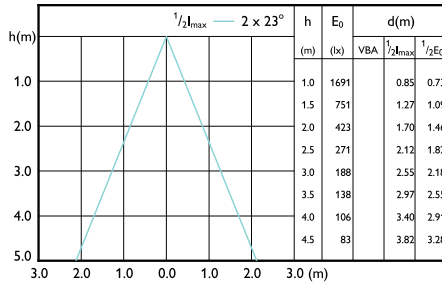
Accent Diagram - MAS LEExpertColor  
20-100W 930 AR111 24D

# MASTER LED spot ExpertColor AR111

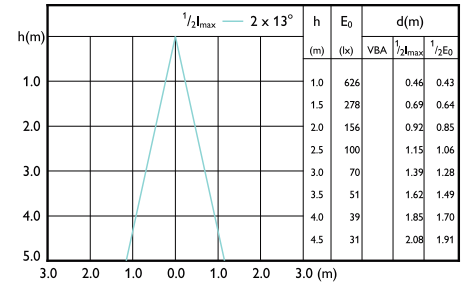
## Beam Diagrams



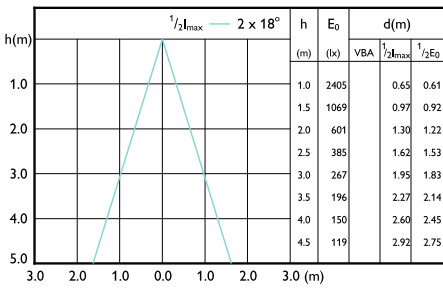
Beam diagram - MAS ExpertColor 14.8-75W  
940 AR111 45D



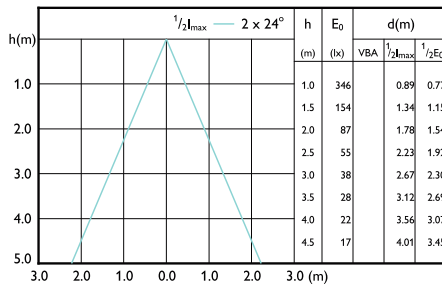
Beam diagram - MAS LEDExpertColor 20-100W  
927 AR111 45D



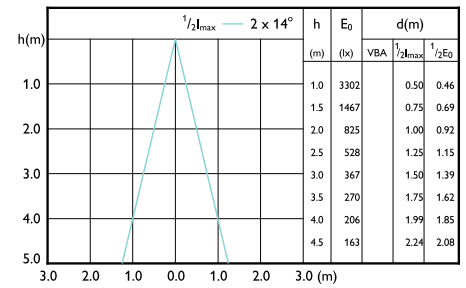
Beam diagram - MAS ExpertColor 10.8-50W  
927 AR111 24D



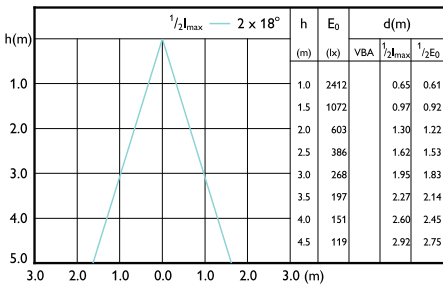
Beam diagram - MAS LEDExpertColor 20-100W  
930 AR111 24D



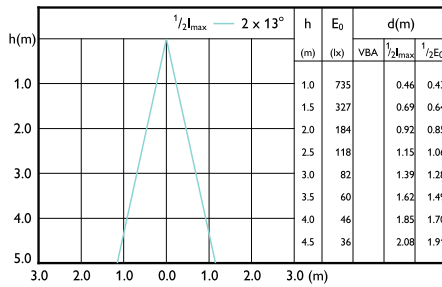
Beam diagram - MAS ExpertColor 14.8-75W  
930 AR111 45D



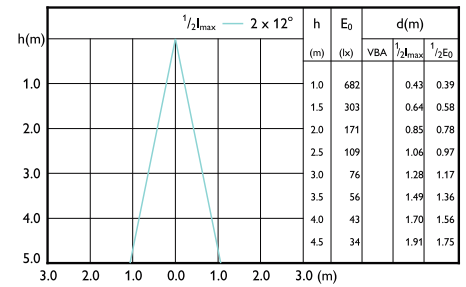
Beam diagram - MAS LEDExpertColor 20-100W  
940 AR111 24D



Beam diagram - MAS LEDExpertColor 20-100W  
927 AR111 24D



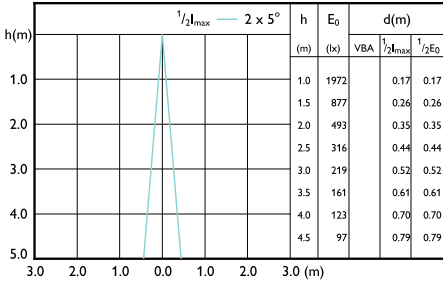
Beam diagram - MAS ExpertColor 14.8-75W  
940 AR111 24D



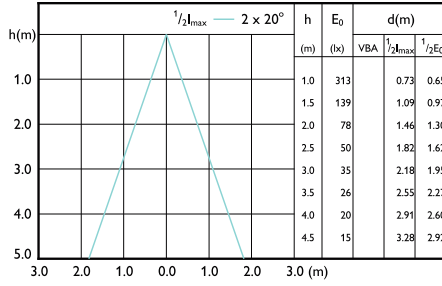
Beam diagram - MAS ExpertColor 10.8-50W  
930 AR111 24D

# MASTER LED spot ExpertColor AR111

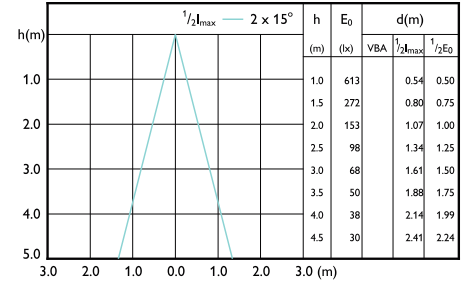
## Beam Diagrams



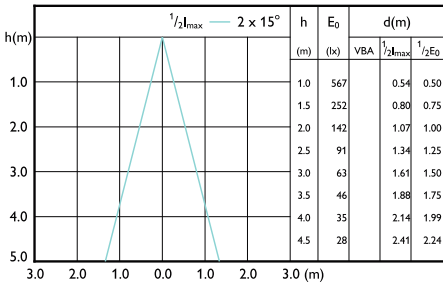
Beam diagram - MAS ExpertColor 10.8-50W 930 AR111 9D



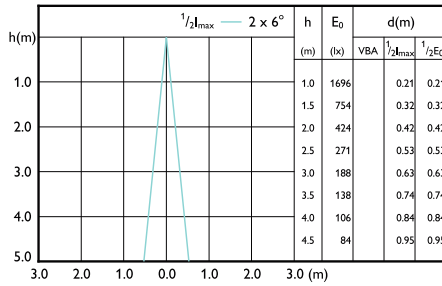
Beam diagram - MAS ExpertColor 10.8-50W 930 AR111 40D



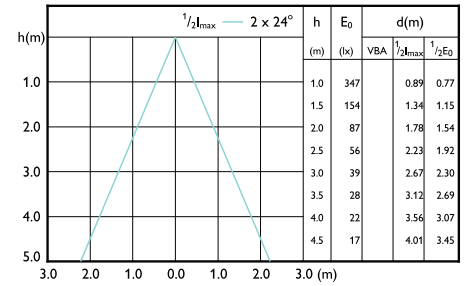
Beam diagram - MAS ExpertColor 14.8-75W 930 AR111 24D



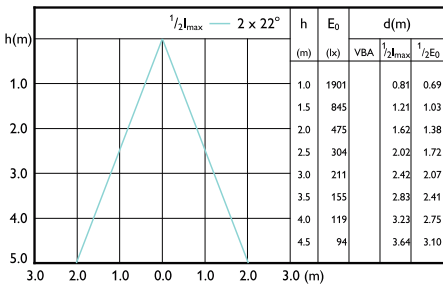
Beam diagram - MAS ExpertColor 14.8-75W 927 AR111 24D



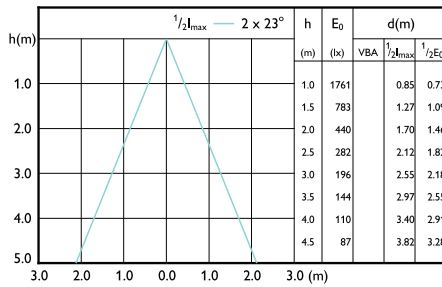
Beam diagram - MAS ExpertColor 10.8-50W 927 AR111 9D



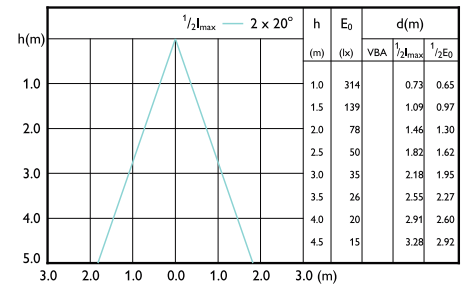
Beam diagram - MAS ExpertColor 14.8-75W 927 AR111 45D



Beam diagram - MAS LEDExpertColor 20-100W 930 AR111 45D



Beam diagram - MAS LEDExpertColor 20-100W 940 AR111 45D



Beam diagram - MAS ExpertColor 10.8-50W 927 AR111 40D

# MASTER LED spot ExpertColor AR111

