



# Create a warm, welcoming ambience with superior quality lighting

## MASTER LED spot ExpertColor AR111

MASTER LEDspot LV ExpertColor creates a warm and comfortable ambience for hospitality venues, homes and restaurants. It creates such an ambience with superior lighting that has a customized spectrum, high CRI, and deep dimming feature. The result? A beautiful lighting experience. What's more, the innovative, trimless lens design will suit almost any interior decor with its clean and neat look. In addition, you can take advantage of the full ExpertColor family, which also includes LEDspot MV and LEDspot Par lamps.

### Benefits

- Create warm and comfortable ambience
- Hassle-free retrofit solution for greater energy efficiency and sustainability
- Interior decor, furnishings and fabrics look great

### Features

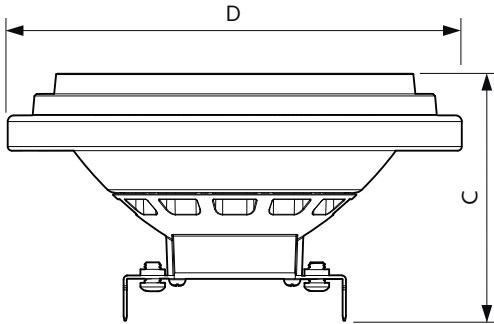
- Customized color spectrum replicates halogen light color
- Trimless design with beautiful V-groove lens
- Best-in-class color realization CRI97, R9<gt;/>85
- Deep and smooth dimming with broad transformer compatibility
- Retrofittable with G53 luminaires

# MASTER LED spot ExpertColor AR111

## Application

- Hospitality: hotel guest room, corridors, lobby, reception area, restaurants, bars, cafes
- Home: living room, bedrooms, hall way
- Retail: exhibitions, display cabinets, shops, dressing rooms

## Dimensional drawing



Product	D	C
MAS ExpertColor 14.8-75W 940 AR111 24D	111 mm	61 mm
MAS ExpertColor 14.8-75W 940 AR111 45D	111 mm	61 mm
MAS LEExpertColor 20-100W 930 AR111 45D	111 mm	62 mm
MAS LEExpertColor 20-100W 940 AR111 24D	111 mm	62 mm
MAS LEExpertColor 20-100W 940 AR111 45D	111 mm	62 mm

### General Information

Cap-Base	G53
Switching Cycle	50,000
Nominal lifetime	40,000 hour(s)

### Light Technical

LLMF At End Of Nominal Lifetime (Nom)	70 %
---------------------------------------	------

### Operating and Electrical

Input Frequency	50 to 60 Hz
Line Frequency	50 to 60 Hz
Starting Time (Nom)	0.5 s

### Controls and Dimming

Dimmable	Only with specific dimmers
----------	----------------------------

### Mechanical and Housing

Bulb Finish	Clear
Bulb Shape	AR111

## Light Technical (1/2)

Order Code	Full Product Name	Beam Angle (Nom)	Correlated Color Temperature (Nom)	Color rendering index (CRI)	Color Code
33387100	MAS ExpertColor 14.8-75W 940 AR111 24D	24 degree(s)	4000 K	95	940
33389500	MAS ExpertColor 14.8-75W 940 AR111 45D	45 degree(s)	4000 K	95	940
44877300	MAS LEExpertColor 20-100W 940 AR111 24D	24 degree(s)	4000 K	97	940
44881000	MAS LEExpertColor 20-100W 930 AR111 45D	45 degree(s)	3000 K	97	930
44883400	MAS LEExpertColor 20-100W 940 AR111 45D	45 degree(s)	4000 K	97	940

## Light Technical (2/2)

Order Code	Full Product Name	Luminous Flux	Luminous Intensity (Nom)
33387100	MAS ExpertColor 14.8-75W 940 AR111 24D	950 lm	3,300 cd
33389500	MAS ExpertColor 14.8-75W 940 AR111 45D	950 lm	1,400 cd
44877300	MAS LEExpertColor 20-100W 940 AR111 24D	1,700 lm	4,400 cd

Order Code	Full Product Name	Luminous Flux	Luminous Intensity (Nom)
44881000	MAS LEExpertColor 20-100W 930 AR111 45D	1,600 lm	2,200 cd
44883400	MAS LEExpertColor 20-100W 940 AR111 45D	1,700 lm	2,300 cd

# MASTER LED spot ExpertColor AR111

## Operating and Electrical

Order Code	Full Product Name	Power	Wattage
		Consumption	Equivalent
33387100	MAS ExpertColor 14.8-75W 940 AR111 24D	14.8 W	75 W
33389500	MAS ExpertColor 14.8-75W 940 AR111 45D	14.8 W	75 W
44877300	MAS LEExpertColor 20-100W 940 AR111 24D	20 W	100 W

Order Code	Full Product Name	Power	Wattage
		Consumption	Equivalent
44881000	MAS LEExpertColor 20-100W 930 AR111 45D	20 W	100 W
44883400	MAS LEExpertColor 20-100W 940 AR111 45D	20 W	100 W

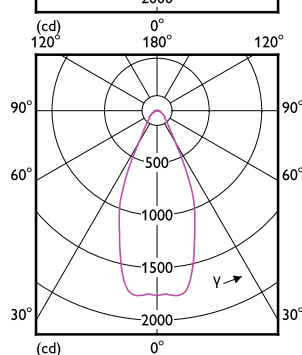
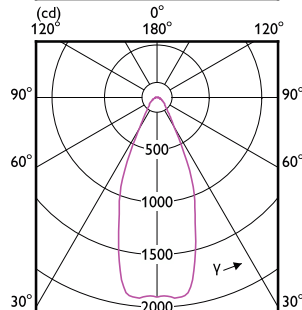
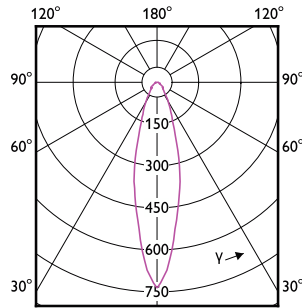
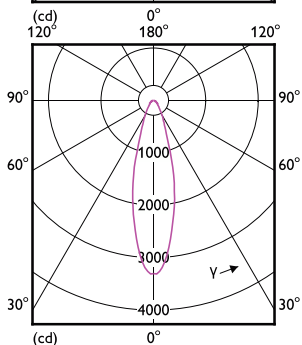
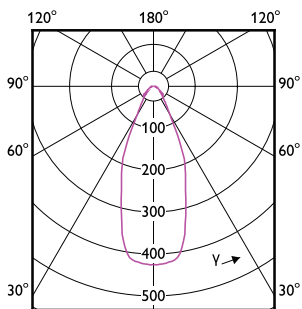
## Temperature

Order Code	Full Product Name	T-Case Maximum (Nom)
33387100	MAS ExpertColor 14.8-75W 940 AR111 24D	85 °C
33389500	MAS ExpertColor 14.8-75W 940 AR111 45D	85 °C
44877300	MAS LEExpertColor 20-100W 940 AR111 24D	77 °C

Order Code	Full Product Name	T-Case Maximum (Nom)
44881000	MAS LEExpertColor 20-100W 930 AR111 45D	77 °C
44883400	MAS LEExpertColor 20-100W 940 AR111 45D	77 °C

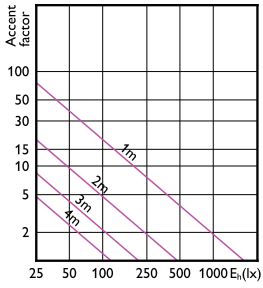
## Approval and Application

Order Code	Full Product Name	Ambient temperature range	Energy
			Consumption kWh/1000 h
33387100	MAS ExpertColor 14.8-75W 940 AR111 24D	-20 to +45 °C	15 kWh
33389500	MAS ExpertColor 14.8-75W 940 AR111 45D	-20 to +45 °C	15 kWh
44877300	MAS LEExpertColor 20-100W 940 AR111 24D	-20 °C to 45 °C	-
44881000	MAS LEExpertColor 20-100W 930 AR111 45D	-20 °C to 45 °C	-
44883400	MAS LEExpertColor 20-100W 940 AR111 45D	-20 °C to 45 °C	-

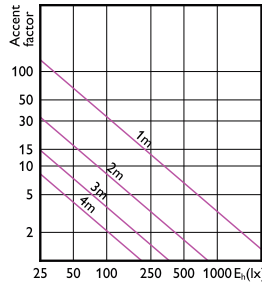


# MASTER LED spot ExpertColor AR111

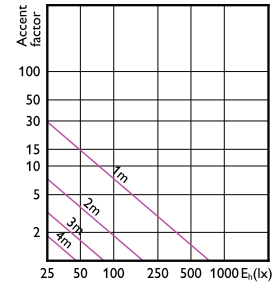
## Accent Diagrams



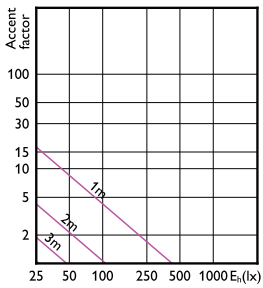
Accent Diagram - MAS LEExpertColor  
20-100W 930 AR111 45D



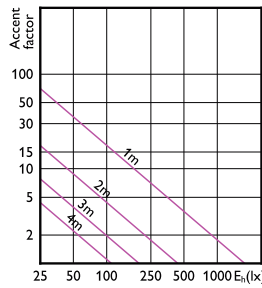
Accent Diagram - MAS LEExpertColor  
20-100W 940 AR111 24D



Accent Diagram - MAS ExpertColor 14.8-75W  
940 AR111 24D

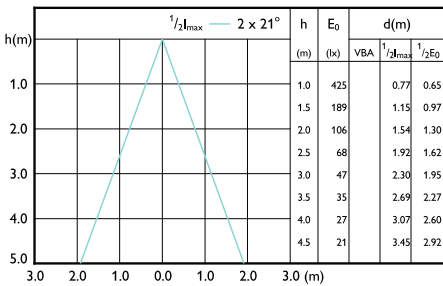


Accent Diagram - MAS ExpertColor 14.8-75W  
940 AR111 45D

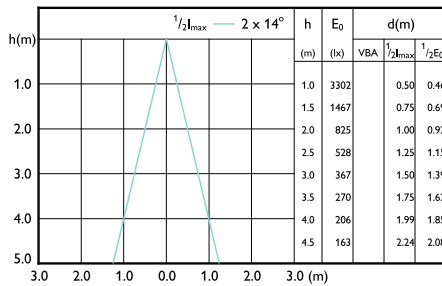


Accent Diagram - MAS LEExpertColor  
20-100W 940 AR111 45D

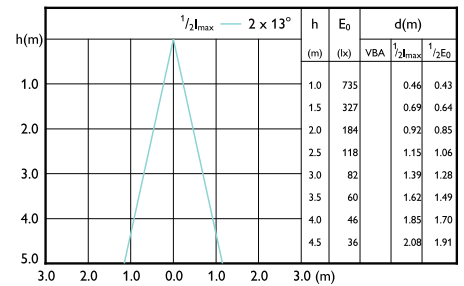
## Beam Diagrams



Beam diagram - MAS ExpertColor 14.8-75W  
940 AR111 45D



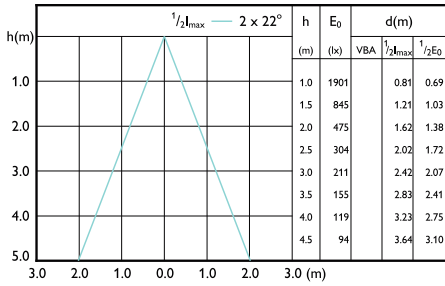
Beam diagram - MAS LEExpertColor 20-100W  
940 AR111 24D



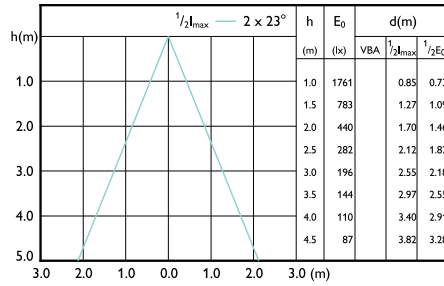
Beam diagram - MAS ExpertColor 14.8-75W  
940 AR111 24D

# MASTER LED spot ExpertColor AR111

## Beam Diagrams



Beam diagram - MAS LEExpertColor 20-100W 930 AR111 45D



Beam diagram - MAS LEExpertColor 20-100W 940 AR111 45D

