



## TownTune Conical Comfort Bowl – Extending the home feel onto the street

Designed to enhance existing and scalable urban spaces, the TownTune family offers all the latest lighting innovations in terms of performance, quality of light and connectivity. The family consists of four solutions: a Central Post Top (CPT), an Asymmetric Spigot Post Top / Side Entry version (ASY), a version with an extending Lyre post top bracket (Lyre), and a Central Post Top with a Conical Comfort Bowl (CCB). Each TownTune luminaire can be customized with a choice of different shapes on top of the housing, plus there's the option to add a decorative ring, which comes in two colors (excluding CCB). Design options that enable you to create your very own lighting signature and bring a distinctive identity to districts and cities. In addition, every luminaire in the TownTune family is uniquely identifiable, thanks to the Signify Service tag app. By simply scanning a QR code, placed inside the door of the mast or directly on the luminaire, you can instantly access the configuration of the luminaire. This makes maintenance and programming operations faster and easier and enables you to create your digital library of lighting assets and spare parts. TownTune also uses the LEDGINE-O lighting platform, ensuring you always have the right amount and direction of light on your street. Furthermore, thanks to being system ready (SR),

TownTune is also future proof. A solution that's ready to be paired with both standalone and advanced control and lighting software applications such as Interact City.

## Benefits

- LEDGINE-O platform for great performance, choice color temperatures and light distributions
- Optimized Total Cost of Ownership (L-Tune for flux tuning, standalone controls e.g., LumiStep, Dynadimmer, CLO (Constant Light output), LineSwitch)
- Ready to pair with advanced systems and software applications e.g., Interact City
- Long lifetime: 100,000 hours @L85 and higher
- Easy access to gear, vandal resistant (IK10), high ingress protection (IP66)

## Applications

- Urban and residential areas
- Cycle paths, footpaths, and pedestrian crossings

## Versions

TownTune CCB, BDP276



TownTune CCB, BDP277 with dome



TownTune CCB plus, BDP275



TownTune CCB, BDP278 with dome

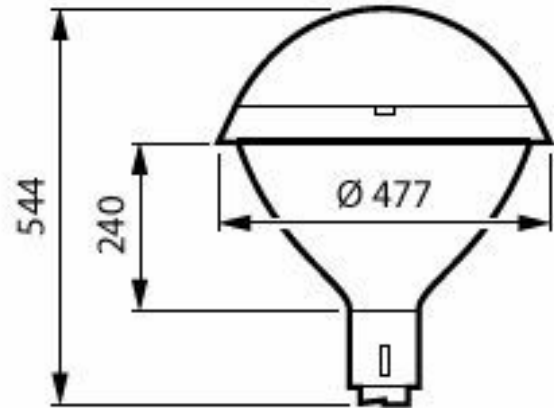
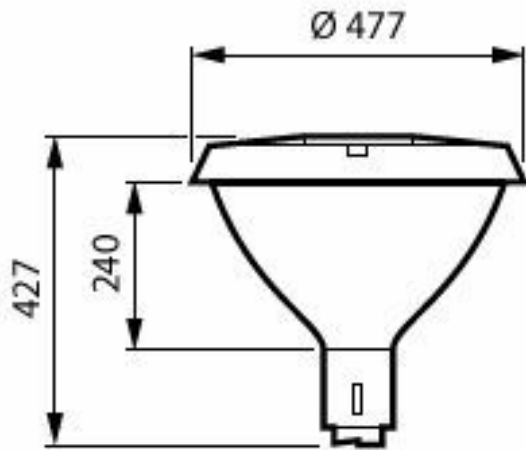
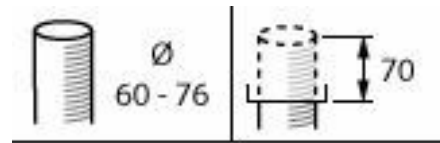
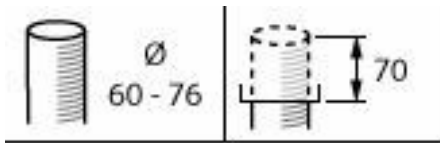


- City centers and squares
- Car parks

## Features

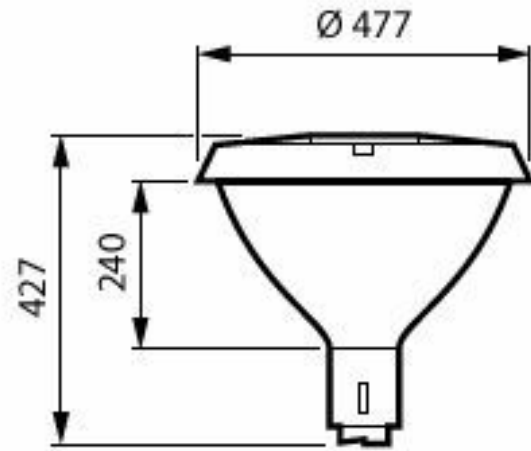
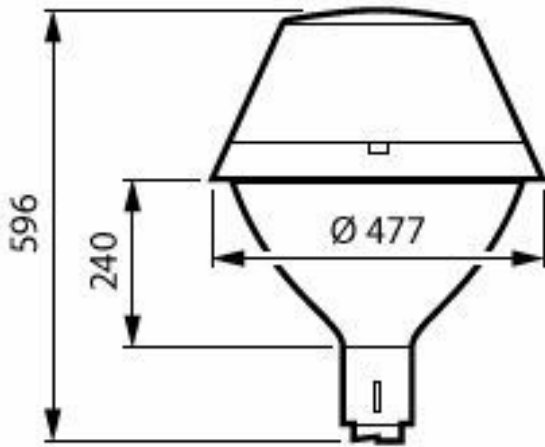
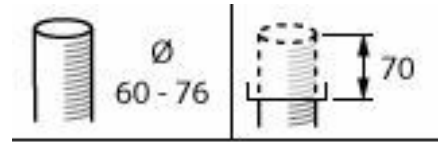
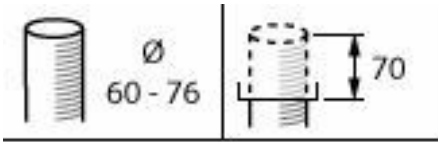
- Simple design for easy integration into urban spaces, wide range of accessories for customization
- Suitable for new and retrofit installations
- Range of lumen packages (1200 to 12000 lm) and CCTs (2200K, 2700K, 3000K, 4000K)
- Dedicated bowl for visual comfort and comfortable lighting experiences
- Service tag for easy installation and maintenance.

## Dimensional drawing



TownTune CCB PLUS - LED module 3900 lm - LED - 727 warm white - Power supply unit - 220 to 240 V - 50 to 60 Hz - Safety class II - Distribution medium 50 - Polycarbonate bowl/cover structured - Dark gray - Luminaire surge protection level until 6 kV differential mode and 6 kV common mode - - - Post-top for diameter 62 mm

TownTune CCB PLUS DTD - LED module 3500 lm - LED - 740 neutral white - Power supply unit - 220 to 240 V - 50 to 60 Hz - Safety class I - Distribution medium 10 - Polycarbonate bowl/cover structured - Dark gray - Luminaire surge protection level until 6 kV differential mode and 6 kV common mode - - - Post-top for diameter 62 mm



TownTune CCB PLUS DTC - LED module 3500 lm - LED - 730 warm white - Power supply unit - 220 to 240 V - 50 to 60 Hz - Safety class II - Distribution wide 50 - Polycarbonate bowl/cover structured - Dark gray - Luminaire surge protection level until 6 kV differential mode and 6 kV common mode - - - Post-top for diameter 62 mm

TownTune CCB - LED Module 2000 lm - LED - 740 neutral white - Power supply unit with DynaDimmer and constant light output (integrated) - 220 to 240 V - 50 to 60 Hz - Safety class I - Distribution Extra Wide DX52 - Polycarbonate bowl/cover structured - Dark gray - Luminaire surge protection level until 6 kV differential mode and 6 kV common mode - - - Post-top for diameter 62 mm

### General Information

Light source replaceable	Yes
Number of gear units	1 unit
Driver included	Yes
Service tag	Yes

### Light Technical

Color rendering index (CRI)	70
-----------------------------	----

### Controls and Dimming

Maximum dim level	10%
-------------------	-----

## Mechanical and Housing

Housing Color	Anthracite
Ingress protection code	IP66 [Dust penetration-protected, jet-proof]
Standard tilt angle posttop	0°
Standard tilt angle side entry	-
Optical cover type	Polycarbonate bowl/cover structured

## Approval and Application

Flammability mark	For mounting on normally flammable surfaces
CE mark	Yes

## General Information

Order Code	Full Product Name	Lamp family code
23913500	BDP276 LED20-4S-740 DX52 CLO-DDF1 62P	LED20
23914200	BDP276 LED35-4S-730 II DS50 D9 76P	LED35
23915900	BDP276 LED39-4S/740 II DW10 DDF1 SDM10 6	LED39
23916600	BDP277 LED35-4S-730 II DW50 DGR D9 62P	LED35
23911100	BDP275 LED14-4S-730 DX52 CLO SRT 62P	LED14
23912800	BDP275 LED39-4S-727 II DM50 CLOD9 MSP62P	LED39
24210400	BDP275 LED22-4S/730 DW50 DGR D9 62P	LED22
23917300	BDP278 LED35-4S-740- DM10 DGR D9 62P	LED35

## Light Technical

Order Code	Full Product Name	Upward light output ratio	Luminous Flux	Correlated Color Temperature (Nom)	Light source color	Luminaire light beam spread	Optic type outdoor
23913500	BDP276 LED20-4S-740 DX52 CLO-DDF1 62P	0.035	1,560 lm	4000 K	740 neutral white	-	Distribution Extra Wide DX52
23914200	BDP276 LED35-4S-730 II DS50 D9 76P	0.0337	2,730 lm	3000 K	730 warm white	152° x 155°	Distribution symmetrical 50
23915900	BDP276 LED39-4S/740 II DW10 DDF1 SDM10 6	0.0374	3,120 lm	4000 K	740 neutral white	7° - 52° x 150°	Distribution wide 10
23916600	BDP277 LED35-4S-730 II DW50 DGR D9 62P	0.0313	2,730 lm	3000 K	730 warm white	12° - 29° x 152°	Distribution wide 50
23911100	BDP275 LED14-4S-730 DX52 CLO SRT 62P	0.035	1,120 lm	3000 K	730 warm white	-	Distribution Extra Wide DX52
23912800	BDP275 LED39-4S-727 II DM50 CLOD9 MSP62P	0.0312	2,926 lm	2700 K	727 warm white	30° - 5° x 153°	Distribution medium 50
24210400	BDP275 LED22-4S/730 DW50 DGR D9 62P	0.0313	1,760 lm	3000 K	730 warm white	12° - 29° x 152°	Distribution wide 50
23917300	BDP278 LED35-4S-740-DM10 DGR D9 62P	0.0374	2,835 lm	4000 K	740 neutral white	77° - 11° x 156°	Distribution medium 10

## Operating and Electrical

Order Code	Full Product Name	Power Consumption	Surge Protection (Common/Differential)
23913500	BDP276 LED20-4S-740 DX52 CLO-DDF1 62P	12.6 W	Surge protection level until 6 kV differential mode and 6 kV common mode
23914200	BDP276 LED35-4S-730 II DS50 D9 76P	24 W	Surge protection level until 6 kV differential mode and 6 kV common mode
23915900	BDP276 LED39-4S/740 II DW10 DDF1 SDM10 6	24 W	Surge protection level until 6 kV differential mode and 10 kV common mode
23916600	BDP277 LED35-4S-730 II DW50 DGR D9 62P	24 W	Surge protection level until 6 kV differential mode and 6 kV common mode
23911100	BDP275 LED14-4S-730 DX52 CLO SRT 62P	9.7 W	Surge protection level until 6 kV differential mode and 6 kV common mode
23912800	BDP275 LED39-4S-727 II DM50 CLOD9 MSP62P	27.5 W	Surge protection level until 6 kV differential mode and 6 kV common mode
24210400	BDP275 LED22-4S/730 DW50 DGR D9 62P	14.8 W	Surge protection level until 6 kV differential mode and 6 kV common mode
23917300	BDP278 LED35-4S-740-DM10 DGR D9 62P	22.5 W	Surge protection level until 6 kV differential mode and 6 kV common mode

## Controls and Dimming

Order Code	Full Product Name	Dimmable
23913500	BDP276 LED20-4S-740 DX52 CLO-DDF1 62P	Yes
23914200	BDP276 LED35-4S-730 II DS50 D9 76P	No
23915900	BDP276 LED39-4S/740 II DW10 DDF1 SDM10 6	Yes
23916600	BDP277 LED35-4S-730 II DW50 DGR D9 62P	No
23911100	BDP275 LED14-4S-730 DX52 CLO SRT 62P	Yes
23912800	BDP275 LED39-4S-727 II DM50 CLOD9 MSP62P	Yes
24210400	BDP275 LED22-4S/730 DW50 DGR D9 62P	No
23917300	BDP278 LED35-4S-740- DM10 DGR D9 62P	No

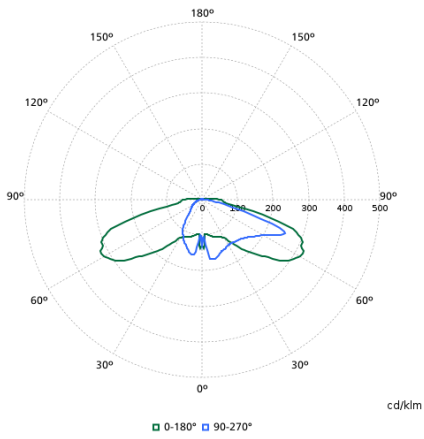
## Mechanical and Housing

Order Code	Full Product Name	Mech. impact protection code
23913500	BDP276 LED20-4S-740 DX52 CLO-DDF1 62P	IK10
23914200	BDP276 LED35-4S-730 II DS50 D9 76P	IK10
23915900	BDP276 LED39-4S/740 II DW10 DDF1 SDM10 6	IK10
23916600	BDP277 LED35-4S-730 II DW50 DGR D9 62P	IK10
23911100	BDP275 LED14-4S-730 DX52 CLO SRT 62P	IK09
23912800	BDP275 LED39-4S-727 II DM50 CLOD9 MSP62P	IK10
24210400	BDP275 LED22-4S/730 DW50 DGR D9 62P	IK10
23917300	BDP278 LED35-4S-740- DM10 DGR D9 62P	IK10

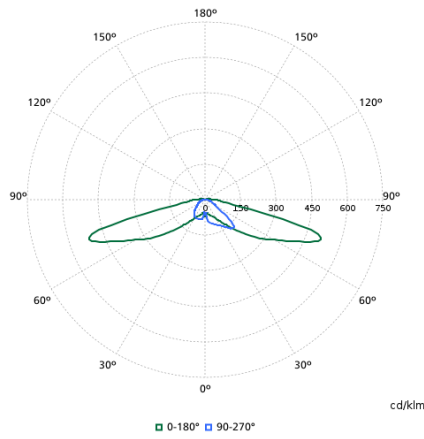
## Product Data

Order Code	Full Product Name	Product family code
23913500	BDP276 LED20-4S-740 DX52 CLO-DDF1 62P	BDP276
23914200	BDP276 LED35-4S-730 II DS50 D9 76P	BDP276
23915900	BDP276 LED39-4S/740 II DW10 DDF1 SDM10 6	BDP276
23916600	BDP277 LED35-4S-730 II DW50 DGR D9 62P	BDP277
23911100	BDP275 LED14-4S-730 DX52 CLO SRT 62P	BDP275
23912800	BDP275 LED39-4S-727 II DM50 CLOD9 MSP62P	BDP275
24210400	BDP275 LED22-4S/730 DW50 DGR D9 62P	BDP275
23917300	BDP278 LED35-4S-740- DM10 DGR D9 62P	BDP278

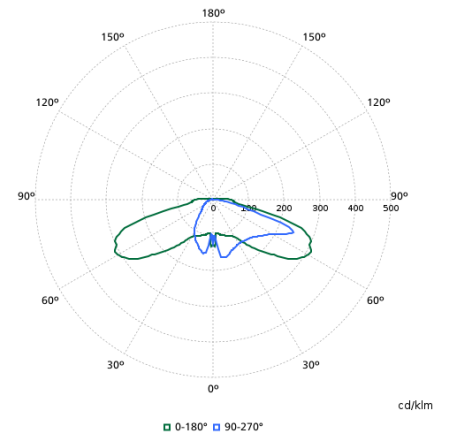
# Polar normal diagrams



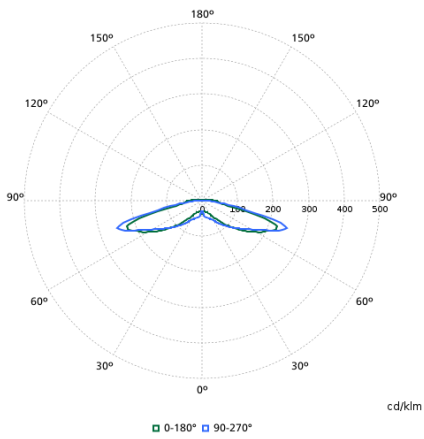
BDP275I - 912300060076



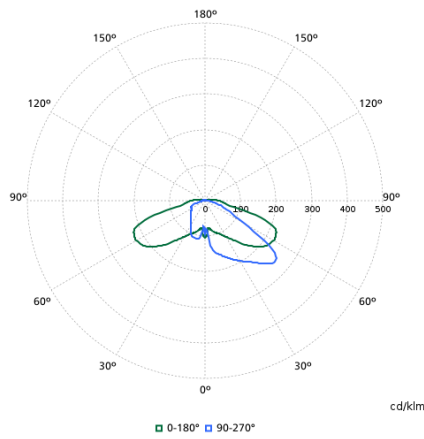
BDP275I - 912300060077



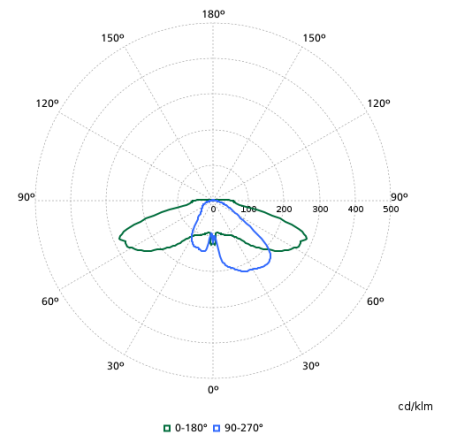
BDP275I - 912300060078



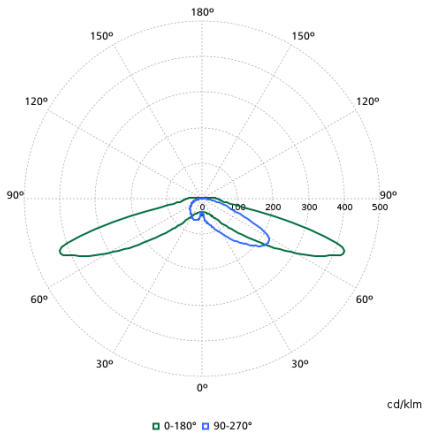
BDP275I - 912300060079



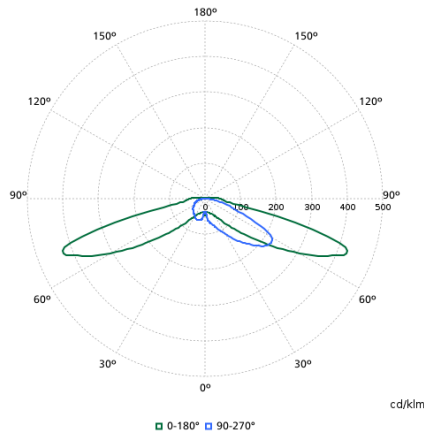
BDP275I - 912300060080



BDP275I - 912300060082



BDP275I - 912300060081



BDP275I - 912300060131