



## TownTune Conical Comfort Bowl – Extending the home feel onto the street

Designed to enhance existing and scalable urban spaces, the TownTune family offers all the latest lighting innovations in terms of performance, quality of light and connectivity. The family consists of four solutions: a Central Post Top (CPT), an Asymmetric Spigot Post Top / Side Entry version (ASY), a version with an extending Lyre post top bracket (Lyre), and a Central Post Top with a Conical Comfort Bowl (CCB). Each TownTune luminaire can be customized with a choice of different shapes on top of the housing, plus there's the option to add a decorative ring, which comes in two colors (excluding CCB). Design options that enable you to create your very own lighting signature and bring a distinctive identity to districts and cities. In addition, every luminaire in the TownTune family is uniquely identifiable, thanks to the Signify Service tag app. By simply scanning a QR code, placed inside the door of the mast or directly on the luminaire, you can instantly access the configuration of the luminaire. This makes maintenance and programming operations faster and easier and enables you to create your digital library of lighting assets and spare parts. TownTune also uses the LEDGINE-O lighting platform, ensuring you always have the right amount and direction of light on your street. Furthermore, thanks to being system ready (SR),

TownTune is also future proof. A solution that's ready to be paired with both standalone and advanced control and lighting software applications such as Interact City.

## Benefits

- LEDGINE-O platform for great performance, choice color temperatures and light distributions
- Optimized Total Cost of Ownership (L-Tune for flux tuning, standalone controls e.g., LumiStep, Dynadimmer, CLO (Constant Light output), LineSwitch)
- Ready to pair with advanced systems and software applications e.g., Interact City
- Long lifetime: 100,000 hours @L85 and higher
- Easy access to gear, vandal resistant (IK10), high ingress protection (IP66)

## Applications

- Urban and residential areas
- Cycle paths, footpaths, and pedestrian crossings

## Versions



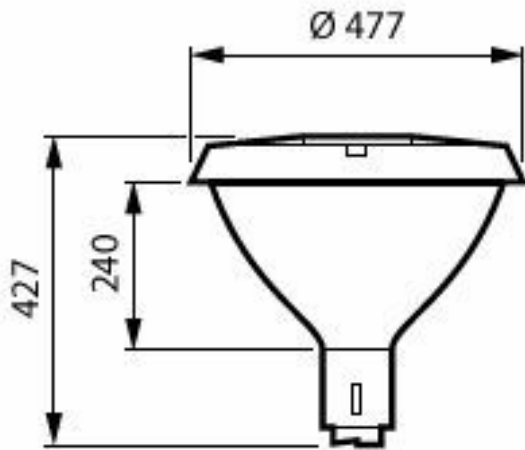
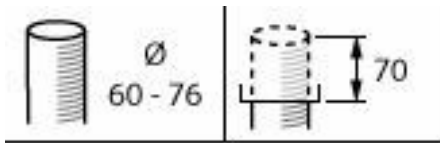
TownTune CCB plus,  
BDP275

- City centers and squares
- Car parks

## Features

- Simple design for easy integration into urban spaces, wide range of accessories for customization
- Suitable for new and retrofit installations
- Range of lumen packages (1200 to 12000 lm) and CCTs (2200K, 2700K, 3000K, 4000K)
- Dedicated bowl for visual comfort and comfortable lighting experiences
- Service tag for easy installation and maintenance.

## Dimensional drawing



TownTune CCB PLUS - LED module 2200 lm - LED - 730 warm white - Power supply unit - 220 to 240 V - 50 to 60 Hz - Safety class I - Distribution wide 50 - Polycarbonate bowl/cover structured - Dark gray - Luminaire surge protection level until 6 kV differential mode and 6 kV common mode - - - Post-top for diameter 62 mm

### General Information

Light source replaceable	Yes
Number of gear units	1 unit
Driver included	Yes
Service tag	Yes

### Light Technical

Correlated Color Temperature (Nom)	3000 K
Color rendering index (CRI)	70
Light source color	730 warm white

### Operating and Electrical

Surge Protection (Common/Differential)	Surge protection level until 6 kV differential mode and 6 kV common mode
--	--

## Controls and Dimming

Maximum dim level 10%

## Mechanical and Housing

Housing Color Anthracite  
Ingress protection code IP66 [Dust penetration-protected, jet-proof]  
Mech. impact protection code IK10 [20 J vandal-resistant]  
Standard tilt angle posttop 0°  
Standard tilt angle side entry -

## Approval and Application

Flammability mark For mounting on normally flammable surfaces  
CE mark Yes

## Product Data

Product family code BDP275 [TOWNTUNE CCB PLUS]

## General Information

Order Code	Full Product Name	Lamp family code
912300060131	BDP275 LED22-4S/730 DW50 DGR D9 62P	LED22
912300060276	BDP275 LED14-4S/730 DM11 PCC DGR D9 62P	LED14

## Light Technical

Order Code	Full Product Name	Upward light output ratio	Luminous Flux	Luminaire light beam spread	Optic type outdoor
912300060131	BDP275 LED22-4S/730 DW50 DGR D9 62P	0.0313	1,760 lm	12° - 29° x 152°	Distribution wide 50
912300060276	BDP275 LED14-4S/730 DM11 PCC DGR D9 62P	0.0369	1,148 lm	76° x 74°	Distribution medium 11

## Operating and Electrical

Order Code	Full Product Name	Power Consumption
912300060131	BDP275 LED22-4S/730 DW50 DGR D9 62P	14.8 W
912300060276	BDP275 LED14-4S/730 DM11 PCC DGR D9 62P	9.8 W

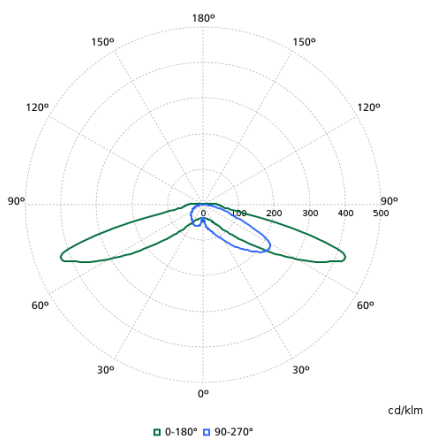
## Controls and Dimming

Order Code	Full Product Name	Dimmable
912300060131	BDP275 LED22-4S/730 DW50 DGR D9 62P	No
912300060276	BDP275 LED14-4S/730 DM11 PCC DGR D9 62P	Yes

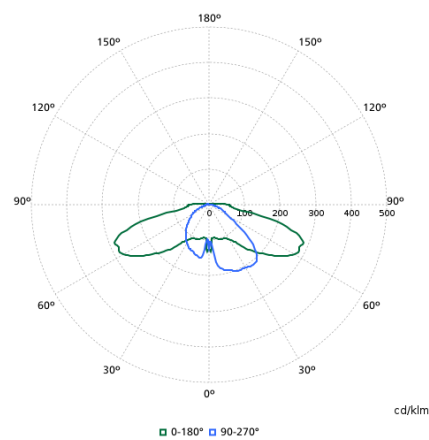
## Mechanical and Housing

Order Code	Full Product Name	Optical cover type
912300060131	BDP275 LED22-4S/730 DW50 DGR D9 62P	Polycarbonate bowl/cover structured
912300060276	BDP275 LED14-4S/730 DM11 PCC DGR D9 62P	Polycarbonate bowl/cover clear

## Polar normal diagrams



BDP275I - 912300060131



BDP275I - 912300060276