



New generation of specialty LEDtube

Specialty LED tube

Philips specialty LEDtube integrates a LED light source into a traditional fluorescent form factor. This product is the ideal solution for relamping to serve multi-purpose usage: it meets general lighting requirements, offers significant energy savings, and special function such as Visible Light Communication.

Benefits

- Highly energy-efficient
- Conventional form factor to fit into existing luminaires
- Easy installation
- No mercury

Features

- Reduced operational cost thanks to lower energy consumption
- Fastest and easiest way to upgrade existing luminaires to LED technology, completely safe product and installation process
- Lower maintenance cost thanks to 2-3 times longer lifetime than conventional lamps

Application

- Hospitality, retail, office, industrial applications

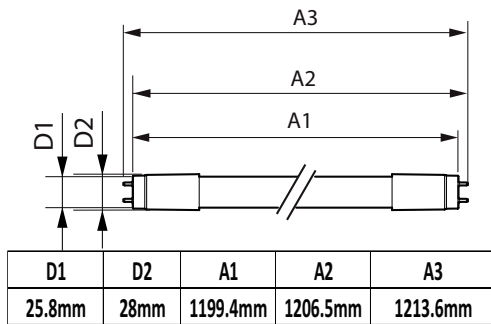
Specialty LED tube

Versions



MAS-LEDtube-Spectrum-T5-20260303

Dimensional drawing



Product	D1	D2	A1	A2	A3
MAS LEDtube Spectrum 1200mm 1500lm	25.8 mm	28 mm	1,199.4 mm	1,206.5 mm	1,213.6 mm

