



The new generation of energy-saving LED PLC 4P tube lighting

CorePro LED PLC 4P

The CorePro LED PLC 4P integrates a LED light source into a traditional fluorescent form factor. This product is the ideal solution for uplamping in general lighting applications: it meets basic lighting requirements, offers significant energy savings and is environmentally friendly.

Benefits

- Reduced operational cost thanks to lower energy consumption
- Lower maintenance cost thanks to 2-3 times longer lifetime than conventional lamps
- The fastest and easiest way to upgrade existing luminaires to LED technology
- Completely safe product and installation process

Features

- Highly energy-efficient
- Easy installation
- Conventional form factor to fit into existing luminaires
- No mercury

Application

- Hospitality, retail, office, industrial and home applications

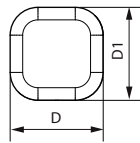
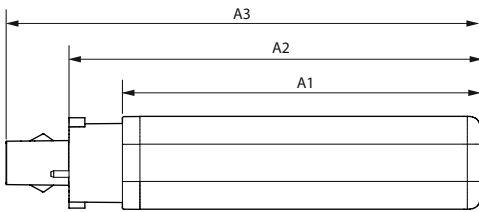
CorePro LED PLC 4P

Versions



Product standard image

Dimensional drawing



| Product | D1 | D2 | A1 | A2 | A3 |
|------------------------------------|-------|-------|--------|--------|--------|
| CorePro LED PLC 5.5W 830 4P G24q-1 | 34 mm | 34 mm | 109 mm | 128 mm | 144 mm |
| CorePro LED PLC 5.5W 840 4P G24q-1 | 34 mm | 34 mm | 109 mm | 128 mm | 144 mm |
| CorePro LED PLC 6.5W 830 4P G24q-2 | 34 mm | 34 mm | 109 mm | 128 mm | 144 mm |
| CorePro LED PLC 6.5W 840 4P G24q-2 | 34 mm | 34 mm | 109 mm | 128 mm | 144 mm |
| CorePro LED PLC 9.5W 830 4P G24q-3 | 34 mm | 34 mm | 129 mm | 148 mm | 164 mm |
| CorePro LED PLC 9.5W 840 4P G24q-3 | 34 mm | 34 mm | 129 mm | 148 mm | 164 mm |

General Information

| | |
|------------------|----------|
| Switching Cycle | 200,000 |
| Nominal lifetime | 30,000 h |

Light Technical

| | |
|--|---------------|
| Beam angle (nom.) | 120 degree(s) |
| Colour rendering index (CRI) | 82 |
| LLMF at end of nominal lifetime (nom.) | 70 % |

Operating and Electrical

| | |
|----------------------|-------------|
| Input frequency | 50 to 60 Hz |
| Starting time (nom.) | 0.5 s |

Controls and Dimming

| | |
|----------|----|
| Dimmable | No |
|----------|----|

Mechanical and Housing

| | |
|-------------|---------|
| Lamp Finish | Frosted |
| Bulb shape | PL-C |

Approval and Application

| | |
|---------------------------|---------------|
| Ambient temperature range | -20 to +45 °C |
|---------------------------|---------------|

General Information

| Order Code | Full Product Name | Cap base |
|--------------|------------------------------------|--------------------------|
| 929003757602 | CorePro LED PLC 5.5W 830 4P G24q-1 | G24Q-1 Rotatable end-cap |
| 929003757702 | CorePro LED PLC 5.5W 840 4P G24q-1 | G24Q-1 Rotatable end-cap |
| 929003757802 | CorePro LED PLC 6.5W 830 4P G24q-2 | G24Q-2 Rotatable end-cap |
| 929003757902 | CorePro LED PLC 6.5W 840 4P G24q-2 | G24Q-2 Rotatable end-cap |
| 929003758002 | CorePro LED PLC 9.5W 830 4P G24q-3 | G24Q-3 Rotatable end-cap |
| 929003758102 | CorePro LED PLC 9.5W 840 4P G24q-3 | G24Q-3 Rotatable end-cap |

Light Technical

CorePro LED PLC 4P

| Order Code | Full Product Name | Correlated Colour | | |
|--------------|------------------------------------|-------------------|-------------|---------------|
| | | Temperature (Nom) | Colour Code | Luminous Flux |
| 929003757602 | CorePro LED PLC 5.5W 830 4P G24q-1 | 3000 K | 830 | 600 lm |
| 929003757702 | CorePro LED PLC 5.5W 840 4P G24q-1 | 4000 K | 840 | 660 lm |
| 929003757802 | CorePro LED PLC 6.5W 830 4P G24q-2 | 3000 K | 830 | 700 lm |

| Order Code | Full Product Name | Correlated Colour | | |
|--------------|------------------------------------|-------------------|-------------|---------------|
| | | Temperature (Nom) | Colour Code | Luminous Flux |
| 929003757902 | CorePro LED PLC 6.5W 840 4P G24q-2 | 4000 K | 840 | 770 lm |
| 929003758002 | CorePro LED PLC 9.5W 830 4P G24q-3 | 3000 K | 830 | 990 lm |
| 929003758102 | CorePro LED PLC 9.5W 840 4P G24q-3 | 4000 K | 840 | 1,100 lm |

Operating and Electrical

| Order Code | Full Product Name | Power Consumption |
|--------------|------------------------------------|-------------------|
| 929003757602 | CorePro LED PLC 5.5W 830 4P G24q-1 | 5.5 W |
| 929003757702 | CorePro LED PLC 5.5W 840 4P G24q-1 | 5.5 W |
| 929003757802 | CorePro LED PLC 6.5W 830 4P G24q-2 | 6.5 W |

| Order Code | Full Product Name | Power Consumption |
|--------------|------------------------------------|-------------------|
| 929003757902 | CorePro LED PLC 6.5W 840 4P G24q-2 | 6.5 W |
| 929003758002 | CorePro LED PLC 9.5W 830 4P G24q-3 | 9.5 W |
| 929003758102 | CorePro LED PLC 9.5W 840 4P G24q-3 | 9.5 W |

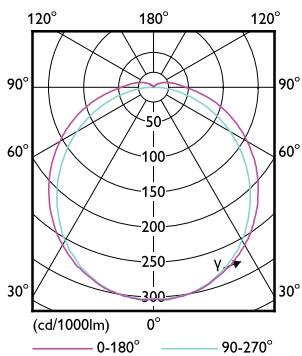
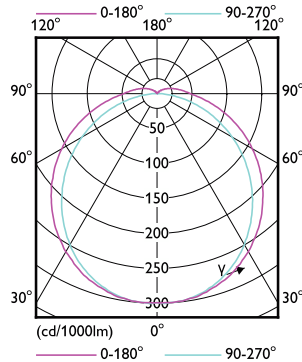
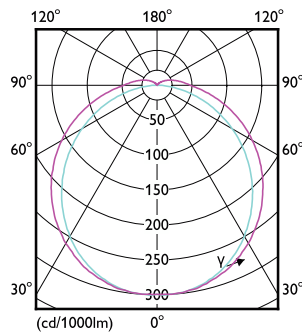
Temperature

| Order Code | Full Product Name | T-Case maximum (nom.) |
|--------------|------------------------------------|-----------------------|
| 929003757602 | CorePro LED PLC 5.5W 830 4P G24q-1 | 70 °C |
| 929003757702 | CorePro LED PLC 5.5W 840 4P G24q-1 | 70 °C |
| 929003757802 | CorePro LED PLC 6.5W 830 4P G24q-2 | 70 °C |

| Order Code | Full Product Name | T-Case maximum (nom.) |
|--------------|------------------------------------|-----------------------|
| 929003757902 | CorePro LED PLC 6.5W 840 4P G24q-2 | 70 °C |
| 929003758002 | CorePro LED PLC 9.5W 830 4P G24q-3 | 75 °C |
| 929003758102 | CorePro LED PLC 9.5W 840 4P G24q-3 | 75 °C |

Approval and Application

| Order Code | Full Product Name | Energy consumption kWh/1,000 hours |
|--------------|------------------------------------|------------------------------------|
| 929003757602 | CorePro LED PLC 5.5W 830 4P G24q-1 | 6 kWh |
| 929003757702 | CorePro LED PLC 5.5W 840 4P G24q-1 | 6 kWh |
| 929003757802 | CorePro LED PLC 6.5W 830 4P G24q-2 | 7 kWh |
| 929003757902 | CorePro LED PLC 6.5W 840 4P G24q-2 | 7 kWh |
| 929003758002 | CorePro LED PLC 9.5W 830 4P G24q-3 | 10 kWh |
| 929003758102 | CorePro LED PLC 9.5W 840 4P G24q-3 | 10 kWh |



CorePro LED PLC 4P

