



The new generation of energy-saving LED PLC 2P tube lighting

CorePro LED PLC 2P

CorePro LED PLC 2P integrates a LED light source into a traditional fluorescent form factor. This product is the ideal solution for uplamping in general lighting applications: it meets basic lighting requirements, offers significant energy savings, and is environmentally friendly.

Benefits

- Reduced operational cost thanks to lower energy consumption
- Lower maintenance cost thanks to 2-3 times longer lifetime than conventional lamps
- Fastest and easiest way to upgrade existing luminaires to LED technology
- Completely safe product and installation process

Features

- Highly energy-efficient
- Easy installation
- Conventional form factor to fit into existing luminaires
- No mercury

Application

- Hospitality, retail, office, industrial and home applications

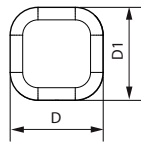
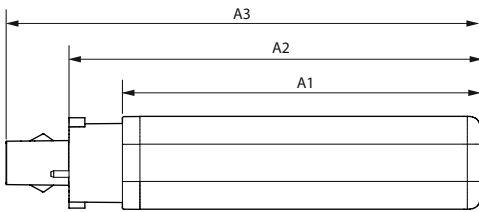
CorePro LED PLC 2P

Versions

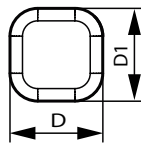
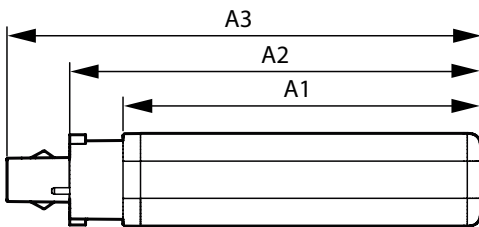


CorePro LED PLC 100mm 5W G24D-1

Dimensional drawing



Product	D1	D2	A1	A2	A3
CorePro LED PLC 5.9W 830 2P G24d-1	34 mm		95 mm	115 mm	138 mm
CorePro LED PLC 5.9W 840 2P G24d-1	34 mm		95 mm	115 mm	138 mm
CorePro LED PLC 6.9W 830 2P G24d-2	34 mm		106 mm	125 mm	148 mm
CorePro LED PLC 6.9W 840 2P G24d-2	34 mm	34 mm	106 mm	125 mm	148 mm
CorePro LED PLC 8.9W 830 2P G24d-3	34 mm		129 mm	148 mm	171 mm
CorePro LED PLC 8.9W 840 2P G24d-3	34 mm	34 mm	129 mm	148 mm	171 mm
LED PLC 6.9W 840 2P G24d-2	34 mm	34 mm	106 mm	125 mm	148 mm
LED PLC 8.9W 830 2P G24d-3	34 mm	34 mm	129 mm	148 mm	171 mm
LED PLC 8.9W 840 2P G24d-3	34 mm	34 mm	129 mm	148 mm	171 mm



Product	D1	D	A1	A2	A3
CorePro LED PLC 6.5W 830 2P G24d-2	34 mm	34 mm	106 mm	125 mm	148 mm
CorePro LED PLC 8.5W 830 2P G24d-3	34 mm	34 mm	129 mm	148 mm	171 mm
LED PLC 6.5W 830 2P G24d-2	34 mm	34 mm	106 mm	125 mm	148 mm
LED PLC 6.5W 840 2P G24d-2	34 mm	34 mm	106 mm	125 mm	148 mm
LED PLC 6.5W 865 2P G24d-2	34 mm	34 mm	106 mm	125 mm	148 mm
LED PLC 8.5W 830 2P G24d-3	34 mm	34 mm	129 mm	148 mm	171 mm
LED PLC 8.5W 865 2P G24d-3	34 mm	34 mm	129 mm	148 mm	171 mm

CorePro LED PLC 2P

General Information	
Switching Cycle	50,000
Nominal lifetime	30,000 hour(s)
Light Technical	
Beam Angle (Nom)	120 degree(s)
LLMF At End Of Nominal Lifetime (Nom)	70 %
Operating and Electrical	
Input Frequency	50 to 60 Hz
Starting Time (Nom)	0.5 s
Controls and Dimming	
Dimmable	No
Mechanical and Housing	
Bulb Shape	PL-C

General Information

Order Code	Full Product Name	Cap-Base
929003757002	CorePro LED PLC 5.9W 830 2P G24d-1	G24d-1 Rotatable end-cap
929003757102	CorePro LED PLC 5.9W 840 2P G24d-1	G24d-1 Rotatable end-cap
929001201402	CorePro LED PLC 6.5W 830 2P G24d-2	G24d-2
929001201408	LED PLC 6.5W 830 2P G24d-2	G24d-2
929001201508	LED PLC 6.5W 840 2P G24d-2	G24d-2
929001280208	LED PLC 6.5W 865 2P G24d-2	G24d-2
929003757202	CorePro LED PLC 6.9W 830 2P G24d-2	G24D-2 Rotatable end-cap
929003757302	CorePro LED PLC 6.9W 840 2P G24d-2	G24D-2 Rotatable end-cap
929003757308	LED PLC 6.9W 840 2P G24d-2	G24D-2 Rotatable end-cap
929001201202	CorePro LED PLC 8.5W 830 2P G24d-3	G24d-3
929001201208	LED PLC 8.5W 830 2P G24d-3	G24d-3
929001280108	LED PLC 8.5W 865 2P G24d-3	G24d-3
929003757402	CorePro LED PLC 8.9W 830 2P G24d-3	G24D-3 Rotatable end-cap
929003757408	LED PLC 8.9W 830 2P G24d-3	G24D-3 Rotatable end-cap
929003757502	CorePro LED PLC 8.9W 840 2P G24d-3	G24D-3 Rotatable end-cap
929003757508	LED PLC 8.9W 840 2P G24d-3	G24D-3 Rotatable end-cap

Light Technical

Order Code	Full Product Name	Correlated			
		Color Temperature (Nom)	Color rendering index (CRI)	Color Code	Luminous Flux
929003757002	CorePro LED PLC 5.9W 830 2P G24d-1	3000 K	82	830	600 lm
929003757102	CorePro LED PLC 5.9W 840 2P G24d-1	4000 K	82	840	660 lm
929001201402	CorePro LED PLC 6.5W 830 2P G24d-2	3000 K	83	830	650 lm
929001201408	LED PLC 6.5W 830 2P G24d-2	3000 K	83	830	650 lm
929001201508	LED PLC 6.5W 840 2P G24d-2	4000 K	83	840	700 lm
929001280208	LED PLC 6.5W 865 2P G24d-2	6500 K	83	865	700 lm
929003757202	CorePro LED PLC 6.9W 830 2P G24d-2	3000 K	82	830	700 lm
929003757302	CorePro LED PLC 6.9W 840 2P G24d-2	4000 K	82	840	770 lm

Order Code	Full Product Name	Correlated			
		Color Temperature (Nom)	Color rendering index (CRI)	Color Code	Luminous Flux
929003757308	LED PLC 6.9W 840 2P G24d-2	4000 K	82	840	770 lm
929001201202	CorePro LED PLC 8.5W 830 2P G24d-3	3000 K	83	830	950 lm
929001201208	LED PLC 8.5W 830 2P G24d-3	3000 K	83	830	950 lm
929001280108	LED PLC 8.5W 865 2P G24d-3	6500 K	83	865	1,000 lm
929003757402	CorePro LED PLC 8.9W 830 2P G24d-3	3000 K	82	830	990 lm
929003757408	LED PLC 8.9W 830 2P G24d-3	3000 K	82	830	990 lm
929003757502	CorePro LED PLC 8.9W 840 2P G24d-3	4000 K	82	840	1,100 lm
929003757508	LED PLC 8.9W 840 2P G24d-3	4000 K	82	840	1,100 lm

Operating and Electrical

CorePro LED PLC 2P

Order Code	Full Product Name	Line Frequency	Power Consumption	Wattage Equivalent
929003757002	CorePro LED PLC 5.9W 830 2P G24d-1	-	5.9 W	-
929003757102	CorePro LED PLC 5.9W 840 2P G24d-1	-	5.9 W	-
929001201402	CorePro LED PLC 6.5W 830 2P G24d-2	50 to 60 Hz	6.5 W	-
929001201408	LED PLC 6.5W 830 2P G24d-2	50 to 60 Hz	6.5 W	-
929001201508	LED PLC 6.5W 840 2P G24d-2	50 to 60 Hz	6.5 W	-
929001280208	LED PLC 6.5W 865 2P G24d-2	50 to 60 Hz	6.5 W	-
929003757202	CorePro LED PLC 6.9W 830 2P G24d-2	-	6.9 W	-
929003757302	CorePro LED PLC 6.9W 840 2P G24d-2	-	6.9 W	-

Order Code	Full Product Name	Line Frequency	Power Consumption	Wattage Equivalent
929003757308	LED PLC 6.9W 840 2P G24d-2	-	6.9 W	18 W
929001201202	CorePro LED PLC 8.5W 830 2P G24d-3	50 to 60 Hz	8.5 W	-
929001201208	LED PLC 8.5W 830 2P G24d-3	50 to 60 Hz	8.5 W	-
929001280108	LED PLC 8.5W 865 2P G24d-3	50 to 60 Hz	8.5 W	-
929003757402	CorePro LED PLC 8.9W 830 2P G24d-3	-	8.9 W	-
929003757408	LED PLC 8.9W 830 2P G24d-3	-	8.9 W	26 W
929003757502	CorePro LED PLC 8.9W 840 2P G24d-3	-	8.9 W	-
929003757508	LED PLC 8.9W 840 2P G24d-3	-	8.9 W	26 W

Temperature

Order Code	Full Product Name	T-Case Maximum (Nom)
929003757002	CorePro LED PLC 5.9W 830 2P G24d-1	75 °C
929003757102	CorePro LED PLC 5.9W 840 2P G24d-1	75 °C
929001201402	CorePro LED PLC 6.5W 830 2P G24d-2	65 °C
929001201408	LED PLC 6.5W 830 2P G24d-2	65 °C
929001201508	LED PLC 6.5W 840 2P G24d-2	65 °C
929001280208	LED PLC 6.5W 865 2P G24d-2	65 °C
929003757202	CorePro LED PLC 6.9W 830 2P G24d-2	75 °C
929003757302	CorePro LED PLC 6.9W 840 2P G24d-2	75 °C

Order Code	Full Product Name	T-Case Maximum (Nom)
929003757308	LED PLC 6.9W 840 2P G24d-2	75 °C
929001201202	CorePro LED PLC 8.5W 830 2P G24d-3	75 °C
929001201208	LED PLC 8.5W 830 2P G24d-3	75 °C
929001280108	LED PLC 8.5W 865 2P G24d-3	75 °C
929003757402	CorePro LED PLC 8.9W 830 2P G24d-3	75 °C
929003757408	LED PLC 8.9W 830 2P G24d-3	75 °C
929003757502	CorePro LED PLC 8.9W 840 2P G24d-3	75 °C
929003757508	LED PLC 8.9W 840 2P G24d-3	75 °C

Mechanical and Housing

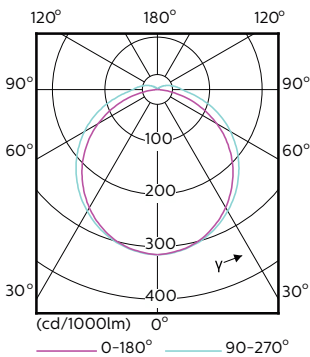
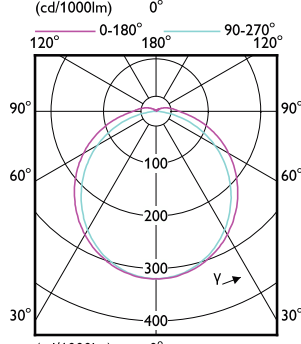
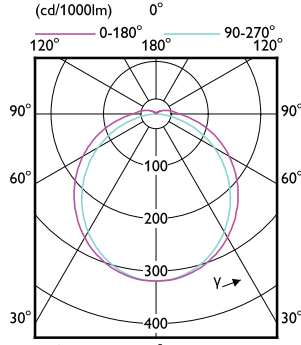
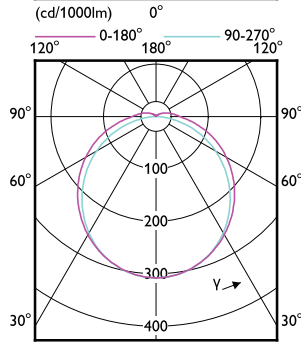
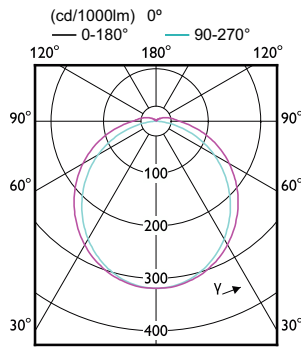
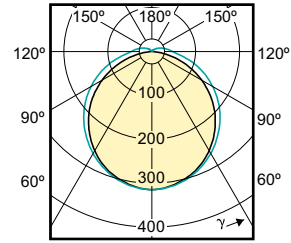
Order Code	Full Product Name	Bulb Finish
929003757002	CorePro LED PLC 5.9W 830 2P G24d-1	Frosted
929003757102	CorePro LED PLC 5.9W 840 2P G24d-1	Frosted
929001201402	CorePro LED PLC 6.5W 830 2P G24d-2	-
929001201408	LED PLC 6.5W 830 2P G24d-2	-
929001201508	LED PLC 6.5W 840 2P G24d-2	-
929001280208	LED PLC 6.5W 865 2P G24d-2	-
929003757202	CorePro LED PLC 6.9W 830 2P G24d-2	Frosted
929003757302	CorePro LED PLC 6.9W 840 2P G24d-2	Frosted

Order Code	Full Product Name	Bulb Finish
929003757308	LED PLC 6.9W 840 2P G24d-2	Frosted
929001201202	CorePro LED PLC 8.5W 830 2P G24d-3	-
929001201208	LED PLC 8.5W 830 2P G24d-3	-
929001280108	LED PLC 8.5W 865 2P G24d-3	-
929003757402	CorePro LED PLC 8.9W 830 2P G24d-3	Frosted
929003757408	LED PLC 8.9W 830 2P G24d-3	Frosted
929003757502	CorePro LED PLC 8.9W 840 2P G24d-3	Frosted
929003757508	LED PLC 8.9W 840 2P G24d-3	Frosted

Approval and Application

CorePro LED PLC 2P

Order Code	Full Product Name	Ambient temperature range	Energy Consumption kWh/1000 h
929003757002	CorePro LED PLC 5.9W 830 2P G24d-1	-20 to +35 °C	6 kWh
929003757102	CorePro LED PLC 5.9W 840 2P G24d-1	-20 to +35 °C	6 kWh
929001201402	CorePro LED PLC 6.5W 830 2P G24d-2	-20 °C to 35 °C	7 kWh
929001201408	LED PLC 6.5W 830 2P G24d-2	-20 °C to 35 °C	9 kWh
929001201508	LED PLC 6.5W 840 2P G24d-2	-20 °C to 35 °C	9 kWh
929001280208	LED PLC 6.5W 865 2P G24d-2	-20 °C to 35 °C	9 kWh
929003757202	CorePro LED PLC 6.9W 830 2P G24d-2	-20 to +35 °C	7 kWh
929003757302	CorePro LED PLC 6.9W 840 2P G24d-2	-20 to +35 °C	7 kWh
929003757308	LED PLC 6.9W 840 2P G24d-2	-20 to +35 °C	-
929001201202	CorePro LED PLC 8.5W 830 2P G24d-3	-20 °C to 35 °C	9 kWh
929001201208	LED PLC 8.5W 830 2P G24d-3	-20 °C to 35 °C	11 kWh
929001280108	LED PLC 8.5W 865 2P G24d-3	-20 °C to 35 °C	11 kWh
929003757402	CorePro LED PLC 8.9W 830 2P G24d-3	-20 to +35 °C	9 kWh
929003757408	LED PLC 8.9W 830 2P G24d-3	-20 to +35 °C	-
929003757502	CorePro LED PLC 8.9W 840 2P G24d-3	-20 to +35 °C	9 kWh
929003757508	LED PLC 8.9W 840 2P G24d-3	-20 to +35 °C	-



CorePro LED PLC 2P

