



The new generation of energy-saving LED PLC 2P tube lighting

CorePro LED PLC 2P

CorePro LED PLC 2P integrates a LED light source into a traditional fluorescent form factor. This product is the ideal solution for uplampping in general lighting applications: it meets basic lighting requirements, offers significant energy savings, and is environmentally friendly.

Benefits

- Reduced operational cost thanks to lower energy consumption
- Lower maintenance cost thanks to 2-3 times longer lifetime than conventional lamps
- Fastest and easiest way to upgrade existing luminaires to LED technology
- Completely safe product and installation process

Features

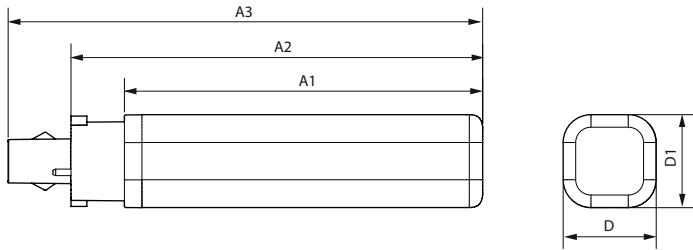
- Highly energy-efficient
- Easy installation
- Conventional form factor to fit into existing luminaires
- No mercury

Application

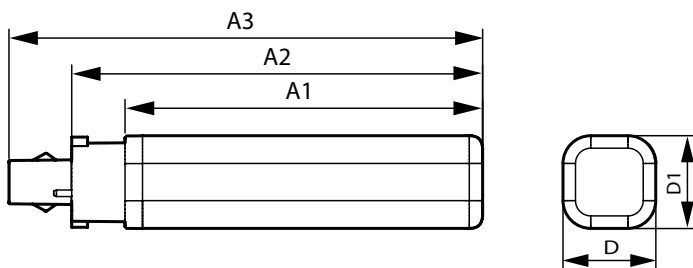
- Hospitality, retail, office, industrial and home applications

CorePro LED PLC 2P

Dimensional drawing



Product	D1	D2	A1	A2	A3
LED PLC 6.9W 830 2P G24d-2	34 mm	34 mm	106 mm	125 mm	148 mm
LED PLC 6.9W 840 2P G24d-2	34 mm	34 mm	106 mm	125 mm	148 mm
LED PLC 6.9W 865 2P G24d-2	34 mm	34 mm	106 mm	125 mm	148 mm
LED PLC 8.9W 830 2P G24d-3	34 mm	34 mm	129 mm	148 mm	171 mm
LED PLC 8.9W 840 2P G24d-3	34 mm	34 mm	129 mm	148 mm	171 mm
LED PLC 8.9W 865 2P G24d-3	34 mm	34 mm	129 mm	148 mm	171 mm



Product	D1	D	A1	A2	A3
LED PLC 6.5W 830 2P G24d-2	34 mm	34 mm	106 mm	125 mm	148 mm
LED PLC 6.5W 840 2P G24d-2	34 mm	34 mm	106 mm	125 mm	148 mm
LED PLC 6.5W 865 2P G24d-2	34 mm	34 mm	106 mm	125 mm	148 mm
LED PLC 8.5W 830 2P G24d-3	34 mm	34 mm	129 mm	148 mm	171 mm
LED PLC 8.5W 865 2P G24d-3	34 mm	34 mm	129 mm	148 mm	171 mm

General Information	
Switching Cycle	50,000
Nominal lifetime	30,000 hour(s)
Light Technical	
Beam Angle (Nom)	120 degree(s)
LLMF At End Of Nominal Lifetime (Nom)	70 %
Operating and Electrical	
Input Frequency	50 to 60 Hz
Starting Time (Nom)	0.5 s
Controls and Dimming	
Dimmable	No
Mechanical and Housing	
Bulb Shape	PL-C

General Information

Order Code	Full Product Name	Cap-Base
929001201408	LED PLC 6.5W 830 2P G24d-2	G24d-2
929001201508	LED PLC 6.5W 840 2P G24d-2	G24d-2
929001280208	LED PLC 6.5W 865 2P G24d-2	G24d-2
929003757208	LED PLC 6.9W 830 2P G24d-2	G24D-2 Rotatable end-cap
929003757308	LED PLC 6.9W 840 2P G24d-2	G24D-2 Rotatable end-cap
929003820208	LED PLC 6.9W 865 2P G24d-2	G24D-2 Rotatable end-cap
929003820308	LED PLC 8.9W 865 2P G24d-3	G24D-3 Rotatable end-cap
929001201208	LED PLC 8.5W 830 2P G24d-3	G24d-3
929001280108	LED PLC 8.5W 865 2P G24d-3	G24d-3
929003757408	LED PLC 8.9W 830 2P G24d-3	G24D-3 Rotatable end-cap
929003757508	LED PLC 8.9W 840 2P G24d-3	G24D-3 Rotatable end-cap

Light Technical

Order Code	Full Product Name	Correlated			
		Color Temperature (Nom)	Color rendering index (CRI)	Color Code	Luminous Flux
929001201408	LED PLC 6.5W 830 2P G24d-2	3000 K	83	830	650 lm

Order Code	Full Product Name	Correlated			
		Color Temperature (Nom)	Color rendering index (CRI)	Color Code	Luminous Flux
929001201508	LED PLC 6.5W 840 2P G24d-2	4000 K	83	840	700 lm

CorePro LED PLC 2P

Order Code	Full Product Name	Correlated			
		Color Temperature (Nom)	Color rendering index (CRI)	Color Code	Luminous Flux
929001280208	LED PLC 6.5W 865 2P G24d-2	6500 K	83	865	700 lm
929003757208	LED PLC 6.9W 830 2P G24d-2	3000 K	82	830	700 lm
929003757308	LED PLC 6.9W 840 2P G24d-2	4000 K	82	840	770 lm
929003820208	LED PLC 6.9W 865 2P G24d-2	6500 K	82	865	770 lm
929003820308	LED PLC 8.9W 865 2P G24d-3	6500 K	82	865	1,100 lm

Order Code	Full Product Name	Correlated			
		Color Temperature (Nom)	Color rendering index (CRI)	Color Code	Luminous Flux
929001201208	LED PLC 8.5W 830 2P G24d-3	3000 K	83	830	950 lm
929001280108	LED PLC 8.5W 865 2P G24d-3	6500 K	83	865	1,000 lm
929003757408	LED PLC 8.9W 830 2P G24d-3	3000 K	82	830	990 lm
929003757508	LED PLC 8.9W 840 2P G24d-3	4000 K	82	840	1,100 lm

Operating and Electrical

Order Code	Full Product Name	Line	Power	Wattage
		Frequency	Consumption	Equivalent
929001201408	LED PLC 6.5W 830 2P G24d-2	50 to 60 Hz	6.5 W	-
929001201508	LED PLC 6.5W 840 2P G24d-2	50 to 60 Hz	6.5 W	-
929001280208	LED PLC 6.5W 865 2P G24d-2	50 to 60 Hz	6.5 W	-
929003757208	LED PLC 6.9W 830 2P G24d-2	-	6.9 W	18 W
929003757308	LED PLC 6.9W 840 2P G24d-2	-	6.9 W	18 W
929003820208	LED PLC 6.9W 865 2P G24d-2	-	6.9 W	18 W

Order Code	Full Product Name	Line	Power	Wattage
		Frequency	Consumption	Equivalent
929003820308	LED PLC 8.9W 865 2P G24d-3	-	8.9 W	26 W
929001201208	LED PLC 8.5W 830 2P G24d-3	50 to 60 Hz	8.5 W	-
929001280108	LED PLC 8.5W 865 2P G24d-3	50 to 60 Hz	8.5 W	-
929003757408	LED PLC 8.9W 830 2P G24d-3	-	8.9 W	26 W
929003757508	LED PLC 8.9W 840 2P G24d-3	-	8.9 W	26 W

Temperature

Order Code	Full Product Name	T-Case Maximum (Nom)
929001201408	LED PLC 6.5W 830 2P G24d-2	65 °C
929001201508	LED PLC 6.5W 840 2P G24d-2	65 °C
929001280208	LED PLC 6.5W 865 2P G24d-2	65 °C
929003757208	LED PLC 6.9W 830 2P G24d-2	75 °C
929003757308	LED PLC 6.9W 840 2P G24d-2	75 °C
929003820208	LED PLC 6.9W 865 2P G24d-2	75 °C

Order Code	Full Product Name	T-Case Maximum (Nom)
929003820308	LED PLC 8.9W 865 2P G24d-3	75 °C
929001201208	LED PLC 8.5W 830 2P G24d-3	75 °C
929001280108	LED PLC 8.5W 865 2P G24d-3	75 °C
929003757408	LED PLC 8.9W 830 2P G24d-3	75 °C
929003757508	LED PLC 8.9W 840 2P G24d-3	75 °C

Mechanical and Housing

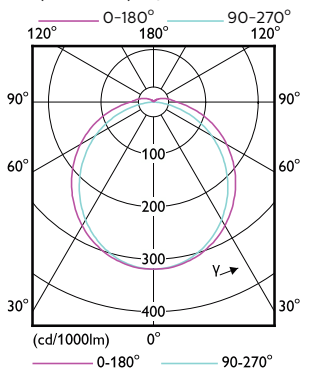
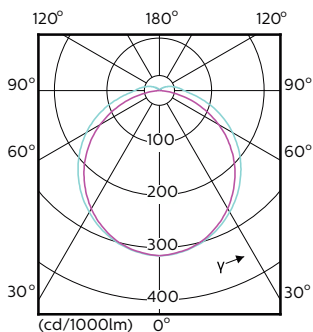
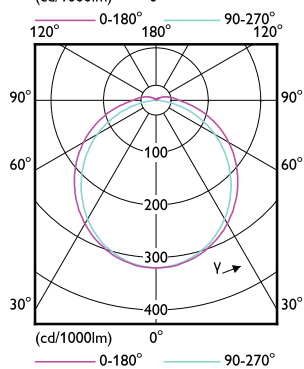
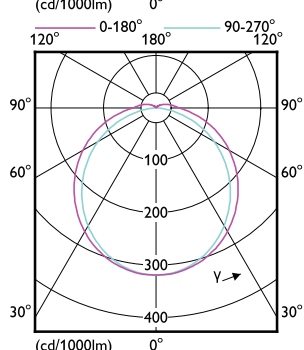
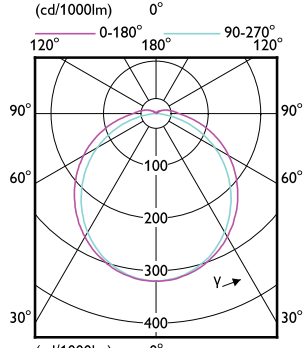
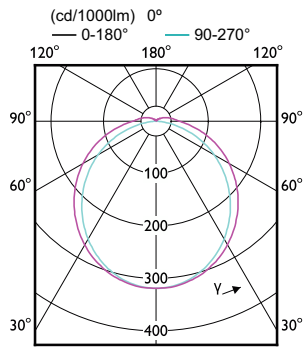
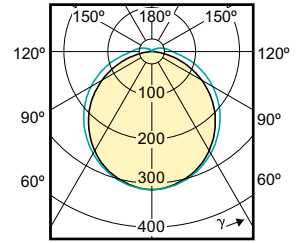
Order Code	Full Product Name	Bulb Finish
929001201408	LED PLC 6.5W 830 2P G24d-2	-
929001201508	LED PLC 6.5W 840 2P G24d-2	-
929001280208	LED PLC 6.5W 865 2P G24d-2	-
929003757208	LED PLC 6.9W 830 2P G24d-2	Frosted
929003757308	LED PLC 6.9W 840 2P G24d-2	Frosted
929003820208	LED PLC 6.9W 865 2P G24d-2	Frosted

Order Code	Full Product Name	Bulb Finish
929003820308	LED PLC 8.9W 865 2P G24d-3	Frosted
929001201208	LED PLC 8.5W 830 2P G24d-3	-
929001280108	LED PLC 8.5W 865 2P G24d-3	-
929003757408	LED PLC 8.9W 830 2P G24d-3	Frosted
929003757508	LED PLC 8.9W 840 2P G24d-3	Frosted

Approval and Application

CorePro LED PLC 2P

Order Code	Full Product Name	Ambient temperature range	Energy Consumption kWh/1000 h
929001201408	LED PLC 6.5W 830 2P G24d-2	-20 °C to 35 °C	9 kWh
929001201508	LED PLC 6.5W 840 2P G24d-2	-20 °C to 35 °C	9 kWh
929001280208	LED PLC 6.5W 865 2P G24d-2	-20 °C to 35 °C	9 kWh
929003757208	LED PLC 6.9W 830 2P G24d-2	-20 to +35 °C	-
929003757308	LED PLC 6.9W 840 2P G24d-2	-20 to +35 °C	-
929003820208	LED PLC 6.9W 865 2P G24d-2	-20 to +35 °C	-
929003820308	LED PLC 8.9W 865 2P G24d-3	-20 to +35 °C	-
929001201208	LED PLC 8.5W 830 2P G24d-3	-20 °C to 35 °C	11 kWh
929001280108	LED PLC 8.5W 865 2P G24d-3	-20 °C to 35 °C	11 kWh
929003757408	LED PLC 8.9W 830 2P G24d-3	-20 to +35 °C	-
929003757508	LED PLC 8.9W 840 2P G24d-3	-20 to +35 °C	-



CorePro LED PLC 2P

