



# The new generation of energy-saving LED PLC 2P tube lighting

## CorePro LED PLC 2P

CorePro LED PLC 2P integrates a LED light source into a traditional fluorescent form factor. This product is the ideal solution for uplampping in general lighting applications: it meets basic lighting requirements, offers significant energy savings, and is environmentally friendly.

### Benefits

- Reduced operational cost thanks to lower energy consumption
- Lower maintenance cost thanks to 2-3 times longer lifetime than conventional lamps
- Fastest and easiest way to upgrade existing luminaires to LED technology
- Completely safe product and installation process

### Features

- Highly energy-efficient
- Easy installation
- Conventional form factor to fit into existing luminaires
- No mercury

### Application

- Hospitality, retail, office, industrial and home applications

# CorePro LED PLC 2P

## Versions



CorePro LED PLC 3CCT 2P G24d 20241203



SPPR MLEDGA 0027

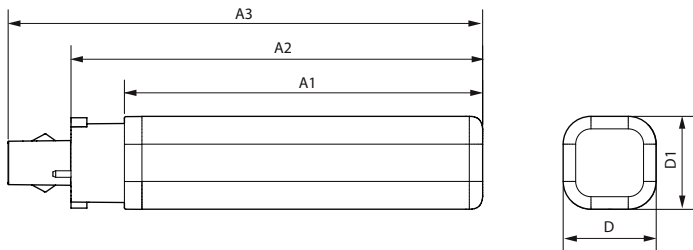


Product standard image

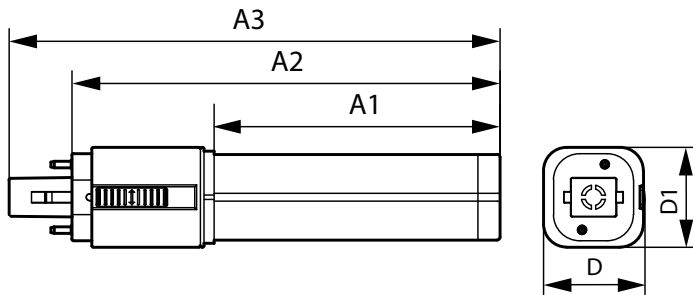


Product standard image

## Dimensional drawing



Product	D1	D2	A1	A2	A3
CorePro LED PLC 5.9W 830 2P G24d-1	34 mm		95 mm	115 mm	138 mm
CorePro LED PLC 5.9W 840 2P G24d-1	34 mm		95 mm	115 mm	138 mm
CorePro LED PLC 6.9W 830 2P G24d-2	34 mm		106 mm	125 mm	148 mm
CorePro LED PLC 6.9W 840 2P G24d-2	34 mm	34 mm	106 mm	125 mm	148 mm
CorePro LED PLC 8.9W 830 2P G24d-3	34 mm		129 mm	148 mm	171 mm
CorePro LED PLC 8.9W 840 2P G24d-3	34 mm	34 mm	129 mm	148 mm	171 mm



Product	D1	D	A1	A2	A3
CorePro LED PLC 360D 5.9W 3CCT 2P G24d	35 mm	35 mm	65 mm	115 mm	137 mm
CorePro LED PLC 360D 6.9W 3CCT 2P G24d	35 mm	35 mm	70 mm	120 mm	142 mm
CorePro LED PLC 360D 8.9W 3CCT 2P G24d	35 mm	35 mm	100 mm	150 mm	172 mm

## Product details

Product detail image



Product detail image



# CorePro LED PLC 2P

## Product details

Product detail image



General Information	
Switching Cycle	50,000
Nominal lifetime	30,000 hour(s)
Light Technical	
Color rendering index (CRI)	82
LLMF At End Of Nominal Lifetime (Nom)	70 %
Operating and Electrical	
Input Frequency	50 to 60 Hz
Starting Time (Nom)	0.5 s
Temperature	
T-Case Maximum (Nom)	75 °C
Controls and Dimming	
Dimmable	No
Mechanical and Housing	
Bulb Finish	Frosted
Bulb Shape	PL-C
Approval and Application	
Ambient temperature range	-20 to +35 °C

## General Information

Order Code	Full Product Name	Cap-Base
28750100	CorePro LED PLC 5.9W 830 2P G24d-1	G24d-1 Rotatable end-cap
28752500	CorePro LED PLC 5.9W 840 2P G24d-1	G24d-1 Rotatable end-cap
03501100	CorePro LED PLC 360D 5.9W 3CCT 2P G24d	G24d
28754900	CorePro LED PLC 6.9W 830 2P G24d-2	G24D-2 Rotatable end-cap
28756300	CorePro LED PLC 6.9W 840 2P G24d-2	G24D-2 Rotatable end-cap
28758700	CorePro LED PLC 8.9W 830 2P G24d-3	G24D-3 Rotatable end-cap
28760000	CorePro LED PLC 8.9W 840 2P G24d-3	G24D-3 Rotatable end-cap
03503500	CorePro LED PLC 360D 6.9W 3CCT 2P G24d	G24d
03505900	CorePro LED PLC 360D 8.9W 3CCT 2P G24d	G24d

## Light Technical

Order Code	Full Product Name	Beam Angle (Nom)	Correlated Color		Luminous Flux
			Temperature (Nom)	Color Code	
28750100	CorePro LED PLC 5.9W 830 2P G24d-1	120 degree(s)	3000 K	830	600 lm
28752500	CorePro LED PLC 5.9W	120 degree(s)	4000 K	840	660 lm

Order Code	Full Product Name	Beam Angle (Nom)	Correlated Color		Luminous Flux
			Temperature (Nom)	Color Code	
28750100	CorePro LED PLC 5.9W 840 2P G24d-1	120 degree(s)	3000 K	830	600 lm
03501100	CorePro LED PLC 360D 5.9W 3CCT 2P G24d	360 degree(s)	3000 K	3000/4000/6500	810 lm

# CorePro LED PLC 2P

Order Code	Full Product Name	Beam Angle (Nom)	Correlated Color		Luminous Flux
			Temperature (Nom)	Color Code	
28754900	CorePro LED PLC 6.9W 830 2P G24d-2	120 degree(s)	3000 K	830	700 lm
28756300	CorePro LED PLC 6.9W 840 2P G24d-2	120 degree(s)	4000 K	840	770 lm
28758700	CorePro LED PLC 8.9W 830 2P G24d-3	120 degree(s)	3000 K	830	990 lm

Order Code	Full Product Name	Beam Angle (Nom)	Correlated Color		Luminous Flux
			Temperature (Nom)	Color Code	
28760000	CorePro LED PLC 8.9W 840 2P G24d-3	120 degree(s)	4000 K	840	1,100 lm
03503500	CorePro LED PLC 360D 6.9W 3CCT 2P G24d	360 degree(s)	3000 K	3000/4000/6500	930 lm
03505900	CorePro LED PLC 360D 8.9W 3CCT 2P G24d	360 degree(s)	3000 K	3000/4000/6500	1,240 lm

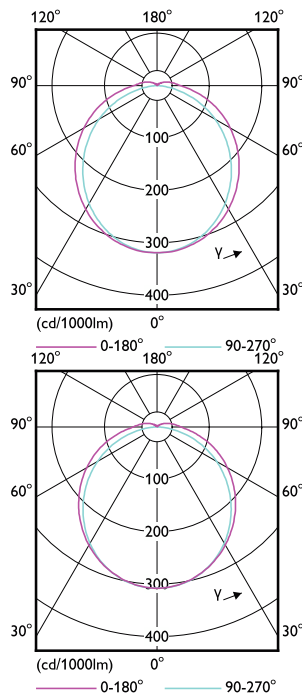
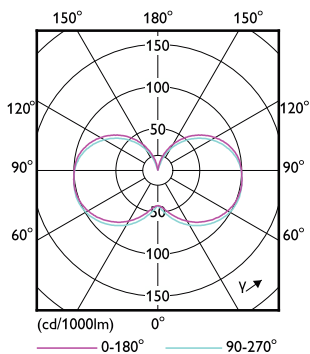
## Operating and Electrical

Order Code	Full Product Name	Power Consumption
28750100	CorePro LED PLC 5.9W 830 2P G24d-1	5.9 W
28752500	CorePro LED PLC 5.9W 840 2P G24d-1	5.9 W
03501100	CorePro LED PLC 360D 5.9W 3CCT 2P G24d	5.9 W
28754900	CorePro LED PLC 6.9W 830 2P G24d-2	6.9 W
28756300	CorePro LED PLC 6.9W 840 2P G24d-2	6.9 W

Order Code	Full Product Name	Power Consumption
28758700	CorePro LED PLC 8.9W 830 2P G24d-3	8.9 W
28760000	CorePro LED PLC 8.9W 840 2P G24d-3	8.9 W
03503500	CorePro LED PLC 360D 6.9W 3CCT 2P G24d	6.9 W
03505900	CorePro LED PLC 360D 8.9W 3CCT 2P G24d	8.9 W

## Approval and Application

Order Code	Full Product Name	Energy Consumption kWh/1000 h
28750100	CorePro LED PLC 5.9W 830 2P G24d-1	6 kWh
28752500	CorePro LED PLC 5.9W 840 2P G24d-1	6 kWh
03501100	CorePro LED PLC 360D 5.9W 3CCT 2P G24d	6 kWh
28754900	CorePro LED PLC 6.9W 830 2P G24d-2	7 kWh
28756300	CorePro LED PLC 6.9W 840 2P G24d-2	7 kWh
28758700	CorePro LED PLC 8.9W 830 2P G24d-3	9 kWh
28760000	CorePro LED PLC 8.9W 840 2P G24d-3	9 kWh
03503500	CorePro LED PLC 360D 6.9W 3CCT 2P G24d	7 kWh
03505900	CorePro LED PLC 360D 8.9W 3CCT 2P G24d	9 kWh



# CorePro LED PLC 2P

