



# Robust Design, Superior performance with superior aesthetics suits to versatile road applications

## Skyline Xtra BRP360

Skyline Xtra is an extension of Skyline range of streetlight that is sleek and elegant in design with outstanding energy efficiency. Ease of maintenance with integrated optics makes it unique and differentiated from others. Skyline Xtra uses High efficacy driver and LED platform to ensure higher energy saving and reliable operation over committed lifetime. Solid LM 6 alloy Pressure die-cast IK 09 rated housing ensures high strength and safety on the pole, at the same time provides excellent heat dissipation, extending the life of the components inside. The multiple lumen packs with dedicated street optics makes it optimum for the A1 and A2 category of Roads.

### Benefits

- Maximize the Energy savings
- Unparallel Strength and Durability with excellent thermal management leads to longer life class for luminaire
- Option of multiple optics and lumen packages providing application flexibility
- Easy serviceability with simple tools

# Skyline Xtra BRP360

## Features

- Ingress Protection - IP66
- Impact Resistance IK09
- Inbuilt encapsulated Potted Driver
- Designed for operations under diverse environment from -10°C to 35°C
- Life class is 50000 hours (L70B50 @ Ta35°C)
- Pressure die-cast housing offers excellent corrosion-resistance and robustness
- System efficiency 120 lm/W
- System lumen 21300lm, 24000lm, 26500 & 29500lm options
- System Wattage 170W, 190W, 210W, & 235W
- SLC and SLD Optics
- High Voltage Cutoff @ 325 ± 15V with Auto Restart feature
- 440V Protection for 8 Hrs. (Phase to Phase)
- Internal Surge Protection 4KV
- Mounting Pole Diameter: 48mm to 60mm
- Class B Serviceability with Top openable cover
- Control 1-10V and SR (on request)

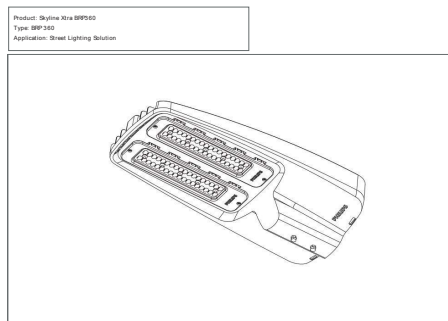
## Application

- Road and Street
- Highways and Express ways
- City main traffic roads
- City shopping & commercial roads
- Residential streets
- Industrial roads

## Warnings and Safety

- Meant for use in Outdoor Environment only

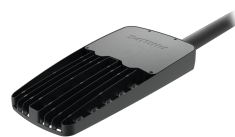
## Dimensional drawing



## Product details



BRP360 LED



BRP360 LED

# Skyline Xtra BRP360

## General Information

Driver included	Yes
-----------------	-----

## Light Technical

Luminaire light beam spread	60°
Light source color	757 cool white
Correlated Color Temperature (Nom)	5700 K
Color rendering index (CRI)	>70
Luminous Efficacy (rated) (Nom)	120 lm/W
Optic type outdoor	Asymmetrical axis angle 60° wide beam

## Operating and Electrical

Surge Protection (Common/ Differential)	Surge protection level until 4 kV
--------------------------------------------	--------------------------------------

## Controls and Dimming

Dimmable	Yes
----------	-----

## Mechanical and Housing

Optical cover type	Polycarbonate micro lens optic
Housing Color	Gray
Mech. impact protection code	IK09
Ingress protection code	IP66

## Approval and Application

Ambient temperature range	-10 to +35 °C
Flammability mark	For mounting on normally flammable surfaces

## Light Technical

Order Code	Full Product Name	Luminous Flux
919515813407	BRP360 LED 295 CW HO SLC S1 PSU GR	29,500 lm
919515813408	BRP360 LED 265 CW HO SLC S1 PSU GR	26,500 lm
919515813409	BRP360 LED 240 CW HO SLC S1 PSU GR	24,000 lm
919515813410	BRP360 LED 213 CW HO SLC S1 PSU GR	21,300 lm
919515813417	BRP360 LED 295 CW HO SLC S1 PSU GR SPD	29,500 lm
919515813418	BRP360 LED 265 CW HO SLC S1 PSU GR SPD	26,500 lm
919515813419	BRP360 LED 240 CW HO SLC S1 PSU GR SPD	24,000 lm
919515813420	BRP360 LED 213 CW HO SLC S1 PSU GR SPD	21,300 lm

## Operating and Electrical

Order Code	Full Product Name	Power Consumption
919515813407	BRP360 LED 295 CW HO SLC S1 PSU GR	235 W
919515813408	BRP360 LED 265 CW HO SLC S1 PSU GR	210 W
919515813409	BRP360 LED 240 CW HO SLC S1 PSU GR	190 W
919515813410	BRP360 LED 213 CW HO SLC S1 PSU GR	170 W

Order Code	Full Product Name	Power Consumption
919515813417	BRP360 LED 295 CW HO SLC S1 PSU GR SPD	235 W
919515813418	BRP360 LED 265 CW HO SLC S1 PSU GR SPD	210 W
919515813419	BRP360 LED 240 CW HO SLC S1 PSU GR SPD	190 W
919515813420	BRP360 LED 213 CW HO SLC S1 PSU GR SPD	170 W

## Skyline Xtra BRP360

