



# SunStay - All In One solar street light

## SunStay

Integrated solar street light with Lithium Ferro Phosphate battery, solar panel and charger built into the luminaire. Pressure die cast aluminium for sturdiness and long life. Specially designed pole mounting bracket allows different tilt angles, lateral and pole top mounting.

### Benefits

- Brings light to areas without access to electric grid
- Saves energy
- Preserves landscape as no trenching for cabling required
- Environment friendly
- Sturdy construction for long life

### Features

- High luminous efficacy of 175 lm/Watt to maximize battery performance
- Replaceable Lithium Ferro Phosphate battery for long life and hassle free operations.
- MPPT charge controller for maximum efficiency
- Pressure die-cast aluminum housing for sturdiness and excellent heat dissipation.
- Specially designed pole mounting bracket with adjustable tilt angles of 0 to 15 degrees, which can also be used in post top & lateral mounting positions
- Factory set dimming profile along with PIR sensor for run time maximization.
- Self diagnostic feature along with battery charging, discharging & cut-off LED Indicators

# SunStay

## Application

- Class A & B roads
- Rural areas
- Parks, pedestrian path lighting
- Industries, office, schools
- Shopping centers, corporate campuses, plazas

## Versions

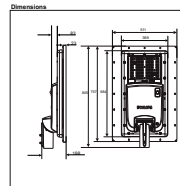
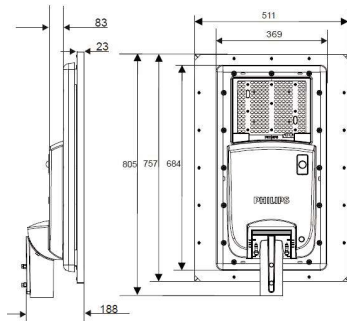


BRP710



SunStay 4500 Lumen

## Dimensional drawing



PHILIPS

**Light Technical**

Color rendering index (CRI)	>70
<b>Operating and Electrical</b>	
Battery ampere hour	30 Ah
Battery charging & discharging cycles	2000
Battery type	Lithium Ferro Phosphate
Battery voltage	12.8 V
Charge controller type	MPPT
Panel peak wattage	60 W
Panel type	Mono crystalline
<b>Controls and Dimming</b>	
Dimmable	Yes
<b>Mechanical and Housing</b>	
Battery location	Inside Luminaire
Housing Color	RAL 7011
Ingress protection code	IP65
<b>Approval and Application</b>	
Ambient temperature range	0 to +35 °C
<b>Application Conditions</b>	
Ambient temperature range for charging	0 °C to +45 °C
Ambient temperature range for discharging (when light is on)	-20 °C to +35 °C

**Light Technical**

Order Code	Full Product Name	Correlated Color Temperature (Nom)
919515813979	BRP710 LED60 CW MR HY FDIM20 SOLAR	5700 K
919515813986	BRP710 LED60 NW MR HY FDIM20 SOLAR	4000 K
919515813989	BRP710 LED45 NW MR HY SOLAR	4000 K
919515813992	BRP710 LED45 WW MR HY FDIM50 SOLAR	3000 K
919515898031	BRP710 LED30 NW 60MO PDIM30 BLE SOLAR EX	4000 K
919515898029	BRP710 LED45 NW 60MO PDIM30 BLE SOLAR EX	4000 K

**Operating and Electrical**

Order Code	Full Product Name	Cable connection kit	Charge controller wattage	Grid connection type	Panel voltage
919515813979	BRP710 LED60 CW MR HY FDIM20 SOLAR	Included	35 W	Hybrid	17 Vmp, 21 Voc V
919515813986	BRP710 LED60 NW MR HY FDIM20 SOLAR	Included	35 W	Hybrid	17 Vmp, 21 Voc V
919515813989	BRP710 LED45 NW MR HY SOLAR	Included	25 W	Hybrid	17 Vmp, 21 Voc V
919515813992	BRP710 LED45 WW MR HY FDIM50 SOLAR	Included	25 W	Hybrid	17 Vmp, 21 Voc V

Order Code	Full Product Name	Cable connection kit	Charge controller wattage	Grid connection type	Panel voltage
919515898031	BRP710 LED30 NW 60MO PDIM30 BLE SOLAR EX	-	-	Off grid	17 V
919515898029	BRP710 LED45 NW 60MO PDIM30 BLE SOLAR EX	-	-	Off grid	17 V

**Controls and Dimming**

Order Code	Full Product Name	Configurability	Solar dimming profile
919515813979	BRP710 LED60 CW MR HY FDIM20 SOLAR	Factory Configurable	4hrs 100% + 8 hrs 20%
919515813986	BRP710 LED60 NW MR HY FDIM20 SOLAR	Factory Configurable	4hrs 100% + 8 hrs 20%
919515813989	BRP710 LED45 NW MR HY SOLAR	Factory Configurable	100% Dusk to dawn
919515813992	BRP710 LED45 WW MR HY FDIM50 SOLAR	Factory Configurable	5hrs 100% + 7 hrs 50%

Order Code	Full Product Name	Configurability	Solar dimming profile
919515898031	BRP710 LED30 NW 60MO PDIM30 BLE SOLAR EX	Configurable	30% Dusk to dawn, 100% on motion. ( Sensor disabled for 5 Hrs, after 5 Hrs)
919515898029	BRP710 LED45 NW 60MO PDIM30 BLE SOLAR EX	Configurable	30% Dusk to dawn, 100% on motion. ( Sensor disabled for 5 Hrs, after 5 Hrs)

**Mechanical and Housing**

Order Code	Full Product Name	Overall height	Overall length	Overall width
919515813979	BRP710 LED60 CW MR HY FDIM20 SOLAR	188 mm	757 mm	511 mm
919515813986	BRP710 LED60 NW MR HY FDIM20 SOLAR	188 mm	757 mm	511 mm
919515813989	BRP710 LED45 NW MR HY SOLAR	188 mm	757 mm	511 mm

Order Code	Full Product Name	Overall height	Overall length	Overall width
919515813992	BRP710 LED45 WW MR HY FDIM50 SOLAR	188 mm	757 mm	511 mm
919515898031	BRP710 LED30 NW 60MO PDIM30 BLE SOLAR EX	156 mm	684 mm	369 mm
919515898029	BRP710 LED45 NW 60MO PDIM30 BLE SOLAR EX	188 mm	757 mm	511 mm

