



SunStay – All-in-one solar street light

SunStay

An integrated solar street light with a lithium ferro phosphate battery, solar panel and charger built into the luminaire. Pressure die-cast aluminium for sturdiness and long life. A specially designed pole-mounting bracket allows different tilt angles, lateral and pole-top mounting.

Benefits

- Brings light to areas without access to electric grid
- Saves energy
- Preserves landscape as no trenching for cabling required
- Environmentally friendly
- Sturdy construction for long life

Features

- High luminous efficacy of 175 lm/Watt to maximise battery performance
- Replaceable Lithium Ferro Phosphate battery for long life and hassle free operations.
- MPPT charge controller for maximum efficiency
- Pressure die-cast aluminium housing for sturdiness and excellent heat dissipation.
- Specially designed pole mounting bracket with adjustable tilt angles of 0 to 15 degrees, which can also be used in post top & lateral mounting positions
- Factory-set dimming profile along with PIR sensor for run time maximisation.
- Self diagnostic feature along with battery charging, discharging & cut-off LED Indicators

Application

- Class A & B roads
- Rural areas
- Parks, pedestrian path lighting
- Industries, office, schools
- Shopping centres, corporate campuses, squares

Versions

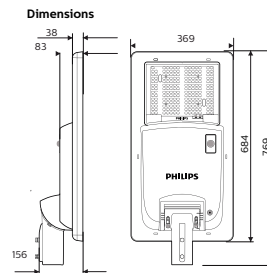
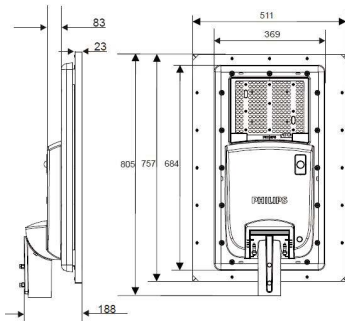


standard shot sunstay



BRP710

Dimensional drawing



Light Technical

Correlated Colour Temperature (Nom)	3000 K
Colour rendering index (CRI)	>70

Operating and Electrical

Battery charging & discharging cycles	2000
Battery type	Lithium Ferro Phosphate
Battery voltage	12.8 V
Charge controller type	MPPT
Grid connection type	Off grid
Panel type	Mono crystalline
Panel voltage	17 V

Controls and Dimming

Dimmable	Yes
Configurability	Configurable
Solar dimming profile	30% Dusk to dawn, 100% on motion. (Sensor disabled for 5 Hrs, after 5 Hrs)

Mechanical and Housing

Battery location	Inside Luminaire
Housing Colour	RAL 7011
Ingress protection code	IP65
Overall height	156 mm
Overall length	684 mm
Overall width	369 mm

Approval and Application

Ambient temperature range	0 to +35 °C
---------------------------	-------------

Application Conditions

Ambient temperature range for charging	0 °C to +45 °C
Ambient temperature range for discharging (when light is on)	-20 °C to +35 °C

Operating and Electrical

Order Code	Full Product Name	Battery ampere hour	Panel peak wattage
919515814301	BRP710 LED30 WW 35MO PDIM30 BLE Solar	20 Ah	35 W
919515814304	BRP710 LED30 WW 60MO PDIM30 BLE Solar	30 Ah	60 W

