



# SunStay - All In One solar street light

## SunStay

Integrated solar street light with Lithium Ferro Phosphate battery, solar panel and charger built into the luminaire. Pressure die cast aluminium for sturdiness and long life. Specially designed pole mounting bracket allows different tilt angles, lateral and pole top mounting.

### Benefits

- Brings light to areas without access to electric grid
- Saves energy
- Preserves landscape as no trenching for cabling required
- Environment friendly
- Sturdy construction for long life

### Features

- High luminous efficacy of 175 lm/Watt to maximize battery performance
- Replaceable Lithium Ferro Phosphate battery for long life and hassle free operations.
- MPPT charge controller for maximum efficiency
- Pressure die-cast aluminum housing for sturdiness and excellent heat dissipation.
- Specially designed pole mounting bracket with adjustable tilt angles of 0 to 15 degrees, which can also be used in post top & lateral mounting positions
- Factory set dimming profile along with PIR sensor for run time maximization.
- Self diagnostic feature along with battery charging, discharging & cut-off LED Indicators

# SunStay

## Application

- Category P roads
- Rural areas
- Parks, pedestrian path lighting
- Industries, office, schools
- Shopping centres, corporate campuses, plazas

## Versions



standard shot sunstay

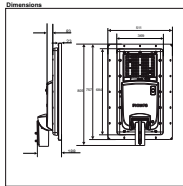


SunStay 4500 Lumen

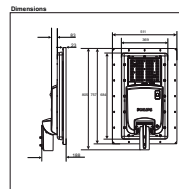
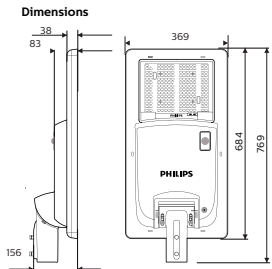
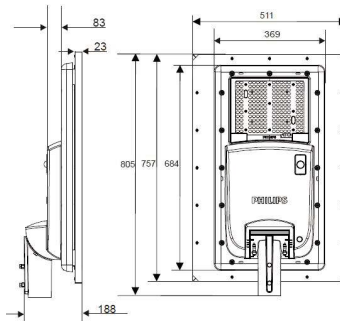


BRP710

## Dimensional drawing



**PHILIPS**



**PHILIPS**

**Light Technical**

|                                       |                         |
|---------------------------------------|-------------------------|
| Color rendering index (CRI)           | >70                     |
| <b>Operating and Electrical</b>       |                         |
| Battery charging & discharging cycles | 2000                    |
| Battery type                          | Lithium Ferro Phosphate |
| Battery voltage                       | 12.8 V                  |
| Charge controller type                | MPPT                    |
| Grid connection type                  | Off grid                |
| Panel type                            | Mono crystalline        |

**Controls and Dimming**

|          |     |
|----------|-----|
| Dimmable | Yes |
|----------|-----|

**Mechanical and Housing**

|                         |                  |
|-------------------------|------------------|
| Battery location        | Inside Luminaire |
| Ingress protection code | IP65             |

**Approval and Application**

|                           |             |
|---------------------------|-------------|
| Ambient temperature range | 0 to +35 °C |
|---------------------------|-------------|

**Application Conditions**

|                                                              |                  |
|--------------------------------------------------------------|------------------|
| Ambient temperature range for charging                       | 0 °C to +45 °C   |
| Ambient temperature range for discharging (when light is on) | -20 °C to +35 °C |

**Light Technical**

| Order Code   | Full Product Name                        | Correlated Color Temperature (Nom) |
|--------------|------------------------------------------|------------------------------------|
| 919515812971 | BRP710 LED30 WW MR 12V LFP AIO Solar     | 3000 K                             |
| 919515812830 | BRP710 LED45 CW MR S1 12V LFP Solar IN   | 5700 K                             |
| 919515813567 | BRP710 LED45 CW MR S1 12V FD30 Solar     | 5700 K                             |
| 919515898029 | BRP710 LED45 NW 60MO PDIM30 BLE SOLAR EX | 4000 K                             |
| 919515814304 | BRP710 LED30 WW 60MO PDIM30 BLE Solar    | 3000 K                             |

**Operating and Electrical**

| Order Code   | Full Product Name                      | Battery     | Panel peak | Panel voltage       |
|--------------|----------------------------------------|-------------|------------|---------------------|
|              |                                        | ampere hour | wattage    |                     |
| 919515812971 | BRP710 LED30 WW MR 12V LFP AIO Solar   | 20 Ah       | 35 W       | 17 Vmp, 21 Voc<br>V |
| 919515812830 | BRP710 LED45 CW MR S1 12V LFP Solar IN | 30 Ah       | 60 W       | 17 Vmp, 21 Voc<br>V |
| 919515813567 | BRP710 LED45 CW MR S1 12V FD30 Solar   | 30 Ah       | 60 W       | 17 Vmp, 21 Voc<br>V |

| Order Code   | Full Product Name                        | Battery     | Panel peak | Panel voltage |
|--------------|------------------------------------------|-------------|------------|---------------|
|              |                                          | ampere hour | wattage    |               |
| 919515898029 | BRP710 LED45 NW 60MO PDIM30 BLE SOLAR EX | 30 Ah       | 60 W       | 17 V          |
| 919515814304 | BRP710 LED30 WW 60MO PDIM30 BLE Solar    | 30 Ah       | 60 W       | 17 V          |

**Controls and Dimming**

| Order Code   | Full Product Name                      | Configurability         | Solar dimming profile                                                       |
|--------------|----------------------------------------|-------------------------|-----------------------------------------------------------------------------|
| 919515812971 | BRP710 LED30 WW MR 12V LFP AIO Solar   | Factory<br>Configurable | 30% Dusk to dawn, 100% on motion. ( Sensor disabled for 5 Hrs, after 5 Hrs) |
| 919515812830 | BRP710 LED45 CW MR S1 12V LFP Solar IN | Factory<br>Configurable | 30% Dusk to dawn, 100% on motion. ( Sensor disabled for 5 Hrs, after 5 Hrs) |
| 919515813567 | BRP710 LED45 CW MR S1 12V FD30 Solar   | Factory<br>Configurable | 5hrs 100% + 7 hrs 30%                                                       |

| Order Code   | Full Product Name                        | Configurability | Solar dimming profile                                                       |
|--------------|------------------------------------------|-----------------|-----------------------------------------------------------------------------|
| 919515898029 | BRP710 LED45 NW 60MO PDIM30 BLE SOLAR EX | Configurable    | 30% Dusk to dawn, 100% on motion. ( Sensor disabled for 5 Hrs, after 5 Hrs) |
| 919515814304 | BRP710 LED30 WW 60MO PDIM30 BLE Solar    | Configurable    | 30% Dusk to dawn, 100% on motion. ( Sensor disabled for 5 Hrs, after 5 Hrs) |

**Mechanical and Housing**

| Order Code   | Full Product Name                            | Housing Color | Overall height | Overall length | Overall width |
|--------------|----------------------------------------------|---------------|----------------|----------------|---------------|
| 919515812971 | BRP710 LED30 WW<br>MR 12V LFP AIO Solar      | Gray          | 156 mm         | 684 mm         | 369 mm        |
| 919515812830 | BRP710 LED45 CW<br>MR S1 12V LFP Solar<br>IN | Gray          | 188 mm         | 757 mm         | 511 mm        |
| 919515813567 | BRP710 LED45 CW<br>MR S1 12V FD30 Solar      | Gray          | 188 mm         | 757 mm         | 511 mm        |

| Order Code   | Full Product Name                              | Housing Color | Overall height | Overall length | Overall width |
|--------------|------------------------------------------------|---------------|----------------|----------------|---------------|
| 919515898029 | BRP710 LED45 NW<br>60MO PDIM30 BLE<br>SOLAR EX | RAL 7011      | 188 mm         | 757 mm         | 511 mm        |
| 919515814304 | BRP710 LED30 WW<br>60MO PDIM30 BLE<br>Solar    | RAL 7011      | 156 mm         | 684 mm         | 369 mm        |

